



A TEREX BRAND

Parts Manual

Serial Number Range

Z-34/22N

from Z3415D-101 to Z3416D-279,
from Z34ND-280

Part No. 1285598GT

Rev A3

November 2018

Technical Publications

Genie has endeavored to deliver the highest degree of accuracy possible. However, continuous improvement of our products is a Genie policy. Therefore, product specifications are subject to change without notice.

Readers are encouraged to notify Genie of errors and send in suggestions for improvement. All communications will be carefully considered for future printings of this and all other manuals.

Contact Us:

Internet: www.genielift.com
e-mail: awp.techpub@terex.com

Find a Manual for this Model

Go to <http://www.genielift.com>

Use the links to locate Operator's, Parts, Maintenance, and Service and Repair Manuals.

Copyright © 2017 by Terex South Dakota, Inc.

1285598GT Rev A December 2017
First Edition, First Printing

Genie is a registered trademark of Terex South Dakota, Inc. in the USA and many other countries. "Z" is a trademark of Terex South Dakota, Inc.



Printed on recycled paper

To August 31, 2016

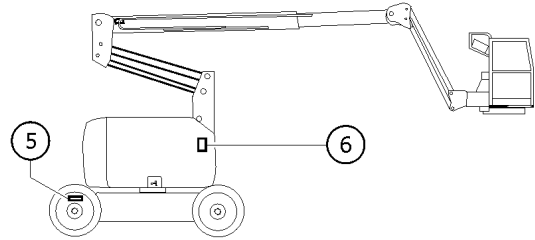
Genie
A TEREX BRAND

Model:
Serial number: Z3416D-12345
Manufacture date: 1/2/16
Electrical schematic number:
Machine unladen weight:
Rated work load (including occupants):
Maximum number of platform occupants:
Maximum allowable side force:
Maximum allowable inclination of the chassis:

Model year: 2016

Z34 16 D - 12345

1 2 3 4



- 1 Model
- 2 Model year
- 3 Facility code

- 4 Sequence number
- 5 Serial number (stamped on chassis)
- 6 Serial label (located under cover)

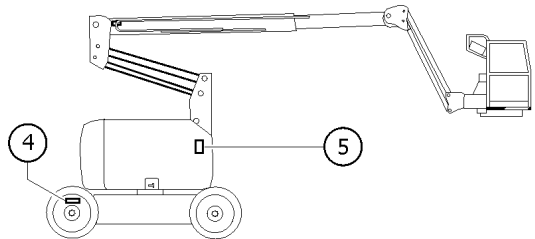
From September 1, 2016

Genie
A TEREX BRAND

Model:
Serial number: Z34D-12345
Year of manufacture: 2016
Electrical schematic number:
Machine unladen weight:
Rated work load (including occupants):
Maximum number of platform occupants:
Maximum allowable side force:
Maximum allowable inclination of the chassis:

Z34 D - 12345

1 2 3



- 1 Model
- 2 Facility code
- 3 Sequence number

- 4 Serial number (stamped on chassis)
- 5 Serial label (located under cover)

Table of Contents

This manual is updated frequently. If you have a printed manual, you can keep it up to date by downloading new figures from the Genie website at www.genielift.com. For the most up-to-date parts information, visit the Parts Lookup System on the Genie website at www.genielift.com.

How to Read Your Serial Number.....	3
Parts Stocking List.....	7
How to Order Parts.....	8
Service Parts Fax Order Form.....	9

Electronic Version

Click on any page number to view the figure.

001 Parts Stocking List

001.1 Parts Stocking List.....	10
--------------------------------	----

100 Decals

101.1 Word Decals, Chassis/Battery Box.....	12
102.1 Word Decals, Turntable.....	14
103.1 Word Decals, Boom.....	16
104.1 Word Decals, Platform.....	18
105.1 Symbol Decals, Chassis/Battery Box.....	20
106.1 Symbol Decals, Turntable.....	22
107.1 Symbol Decals, Boom.....	24
108.1 Symbol Decals, Platform.....	26

200 Chassis Components

201.1 Steer End.....	28
202.1 Non-Steer End, Electronic Control Module.....	30
203.1 Battery Charger.....	34
204.1 Battery Packs.....	36
205.1 Power Cable Diagram.....	38

300 Turntable Components

301.1 Turntable Rotator.....	40
302.1 Ground Control Side.....	42
303.1 Hydraulic Tank Side.....	44
304.1 Turntable Covers.....	46
305.1 Ground Control Panel.....	48
306.1 Wire Harness Diagram.....	50

500 Boom Components

500.1 Boom Layout.....	52
501.1 Secondary Boom, View 1.....	54

502.1 Secondary Boom, View 2.....	56
503.1 Upper Pivot.....	58
504.1 Primary and Extension Booms.....	60
505.1 Cable Track.....	62
506.1 Jib Boom and Platform Rotator.....	64

600 Platform Components

601.1 Platform.....	66
602.1 Platform Control Box, External View.....	68
603.1 Platform Control Box, Internal View.....	70
604.1 Joystick Controller, Drive/Steer Functions.....	72
605.1 Rotation Controller, Boom Function Speed.....	74

700 Hydraulic Components

701.1 Function Manifold.....	76
702.1 Jib Boom and Platform Rotate Manifold.....	78
703.1 Drive Chassis Hoses.....	80
704.1 Turntable Hoses.....	82
705.1 Boom Hoses.....	84
706.1 Hydraulic Power Unit.....	86

800 Accessories

801.1 Air Line to Platform.....	88
802.1 Aircraft Protection.....	90
803.1 Auxiliary Rail Assembly.....	92
804.1 Flashing Beacon and Alarm.....	94
805.1 Hostile Environment, Wiper.....	96
806.1 Hostile Environment, Cylinder Bellows.....	98
807.1 Drive Light.....	100
808.1 Inverter, 120V.....	102
809.1 Platform Control Box Cover, Tool Tray and Work Light.....	104
810.1 Platform Half Mesh, Swing Gate and Pipe Cradle....	106
811.1 Platform Overload, CE and AUS.....	108
812.1 Operators Protection Alarm (to January 2017).....	110
812.2 Lift Guard Contact Alarm (from January 2017).....	112
813.1 Charger Protector.....	114

Indices

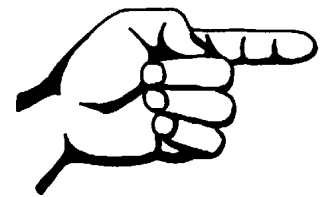
Part Number Index.....	116
Part Description Index.....	120

Cross References

Fittings Cross Reference.....	126
-------------------------------	-----

This Page Intentionally Left Blank

Please refer to section 001 for the Recommended Spare Parts List.



This page intentionally left blank.

How To Order Parts

How to Order Parts

Please be prepared with the following information when ordering replacement parts for your Terex or Genie product.

- Machine model number
- Machine serial number
- Part number
- Part description and quantity
- Purchase order number
- "Ship to" address
- Desired method of shipment
- Name and telephone number of the authorized distributor in your area.

Use the Service Parts Fax Order Form on the next page and fax your order to our Parts Department.

If you don't know the name of your authorized distributor, or if your area is not currently serviced by an authorized distributor, please call Terex or Genie Industries.

Machine Information

Model

Serial Number

Date of Purchase

Authorized Genie Distributor

Phone Number

North America

Telephone (425)881-1800
 Toll Free (800)536-1800 in US and Canada
 Fax (425)556-8659
 Toll Free fax (888)274-6192
 Email AWP.PartsSalesPO@terex.com
<http://genielift.com/en>

EMEAR (Europe, Middle East, Africa and Russia)

Telephone (31)(165)519 313
 Fax (31)(165)511 148
<http://genielift.co.uk>

Asia Pacific (Genie Singapore)

Telephone +65 6692 7777
 Fax +65 6261 8893
<http://genielift.com.sg/>

Australia

Telephone (61)(7)3456 4444
 Fax (61)(7)3456 4466
<http://genielift.com.au>

South America

Telephone (55)(11)4082 5600
 Fax (55)(11)4082 5630

Service Parts Fax Order Form

Fax to: (425) 556-8659 or Toll Free: 888-274-6192
International: +1-425-556-8659



Please fill out completely

Date _____ Account Number _____

Your Name _____ Your Fax Number _____

Your Phone Number _____

Bill To _____ Ship To _____

Purchase Order Number _____ Ship Via _____

Model(s) _____ **Serial No.(s)** _____

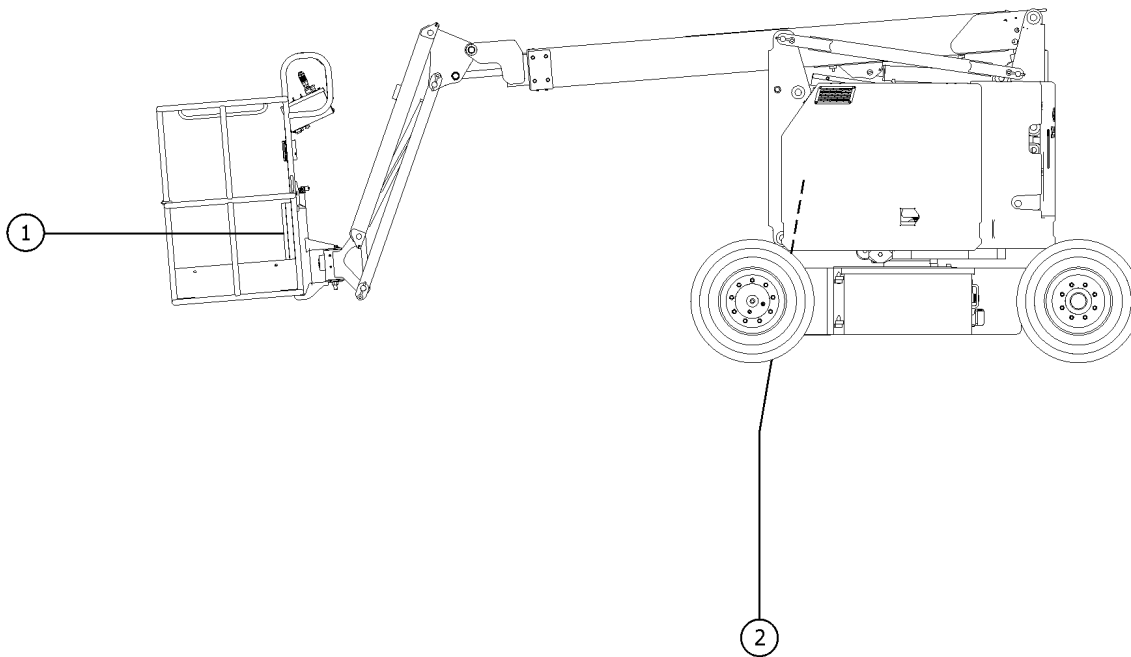
Optional Equipment _____

Part Number	Description	Quantity	Price

All back-ordered parts will be shipped when available via the same ship method as the original order unless Noted below:

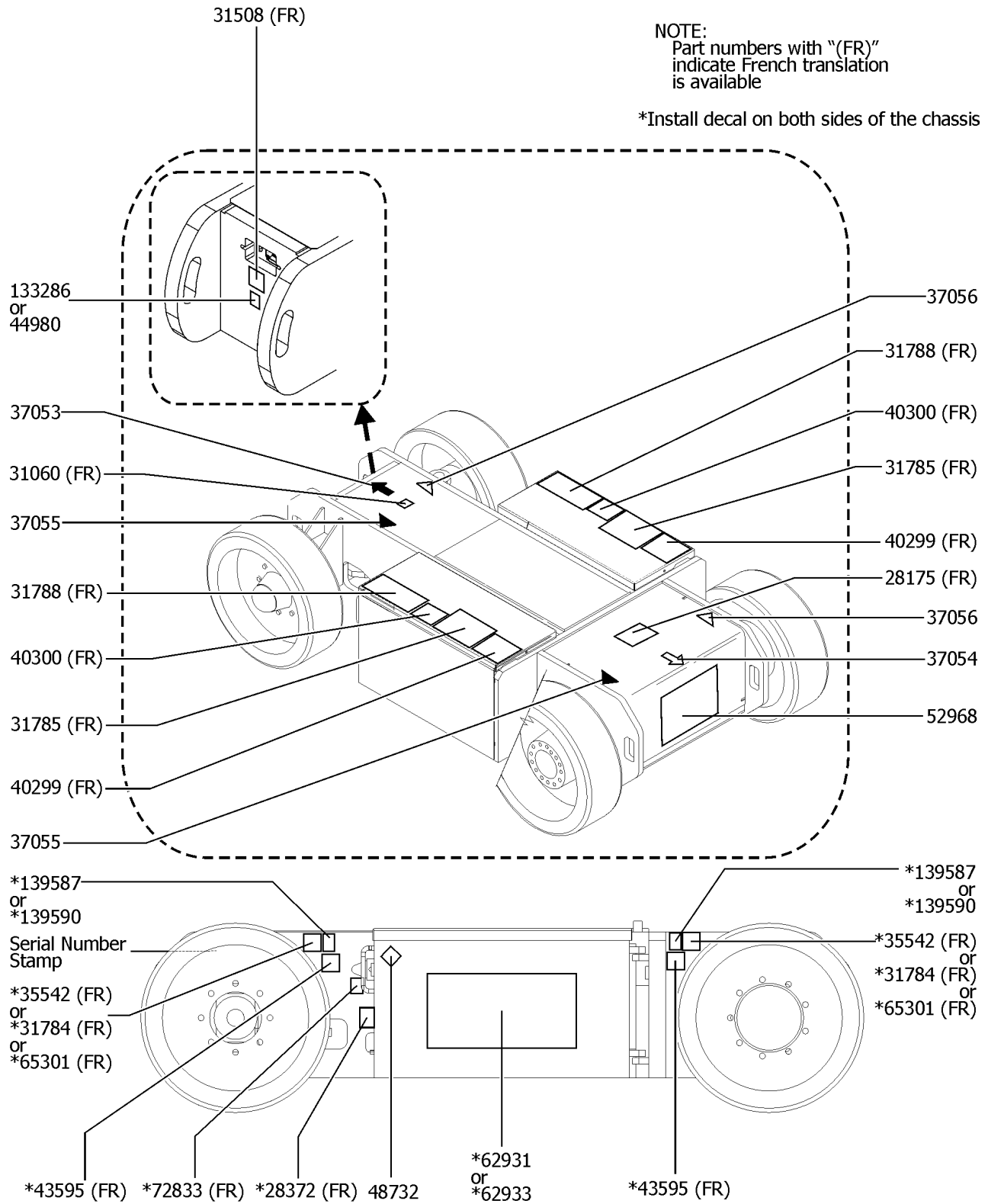
- Ship complete order only - No back orders
- Ship all available parts and contact customer on disposition of back-ordered parts
- Other (please specify)

001.1 Parts Stocking List



Item	Part No.	Description	Qty.
A		— GENERAL SERVICE PARTS —	
--	1257733GT	PAINT,WET,TRAFFIC BLACK (1 GL)** <i>1-gallon</i>	
--	1258567GT	PAINT, AEROSOL, TRAFFIC BLACK <i>12-ounce spray paint</i>	
--	1268GT	PAINT,AEROSOL,GENIE GRAY*** <i>12-ounce spray paint</i>	
--	1283776GT	SEAL MARKER,CROSS CHECK,BLUE,TUBE	
--	1484GT	PAINT,AEROSOL,BRIGHT BLUE*** <i>12-ounce spray paint</i>	
--	28750GT	O-RING KIT,FIELD SVC,ALL PROD* <i>O-ring kit, SAE</i>	
--	32150GT	PAINT,WET,GENIE BLUE (1 GL)** <i>1-gallon</i>	
--	32151GT	PAINT,WET,GENIE GRAY (1 GL)** <i>1-gallon</i>	
--	33994GT	PLUG AND CAP KIT-SERVICE,37 ** <i>Plug and cap kit, SAE</i>	
--	36555GT	CHOCK,CYLINDER (SERVICE TOOL)	
--	49612GT	O-RING KIT (ORFS FITTINGS) <i>O-ring kit, ORFS</i>	
--	49613GT	PLUG AND CAP KIT-SERVICE,ORFS* <i>Plug and cap kit, ORFS</i>	
--	66399GT	GREASE,DIELECTRIC 4 OZ**	
--	93500GT	PARKER DIGITAL PRESSURE GAUGE	
--			
1		— MANUALS —	
--	27581GT	MANUAL,AEM SAFETY	
--	31779GT	MANUAL,RESPON,A92.5 BOOM	
2		— HYD FILTERS —	
--	44788GT	FILTER ELEMENT,10MICRON,PAPER*	

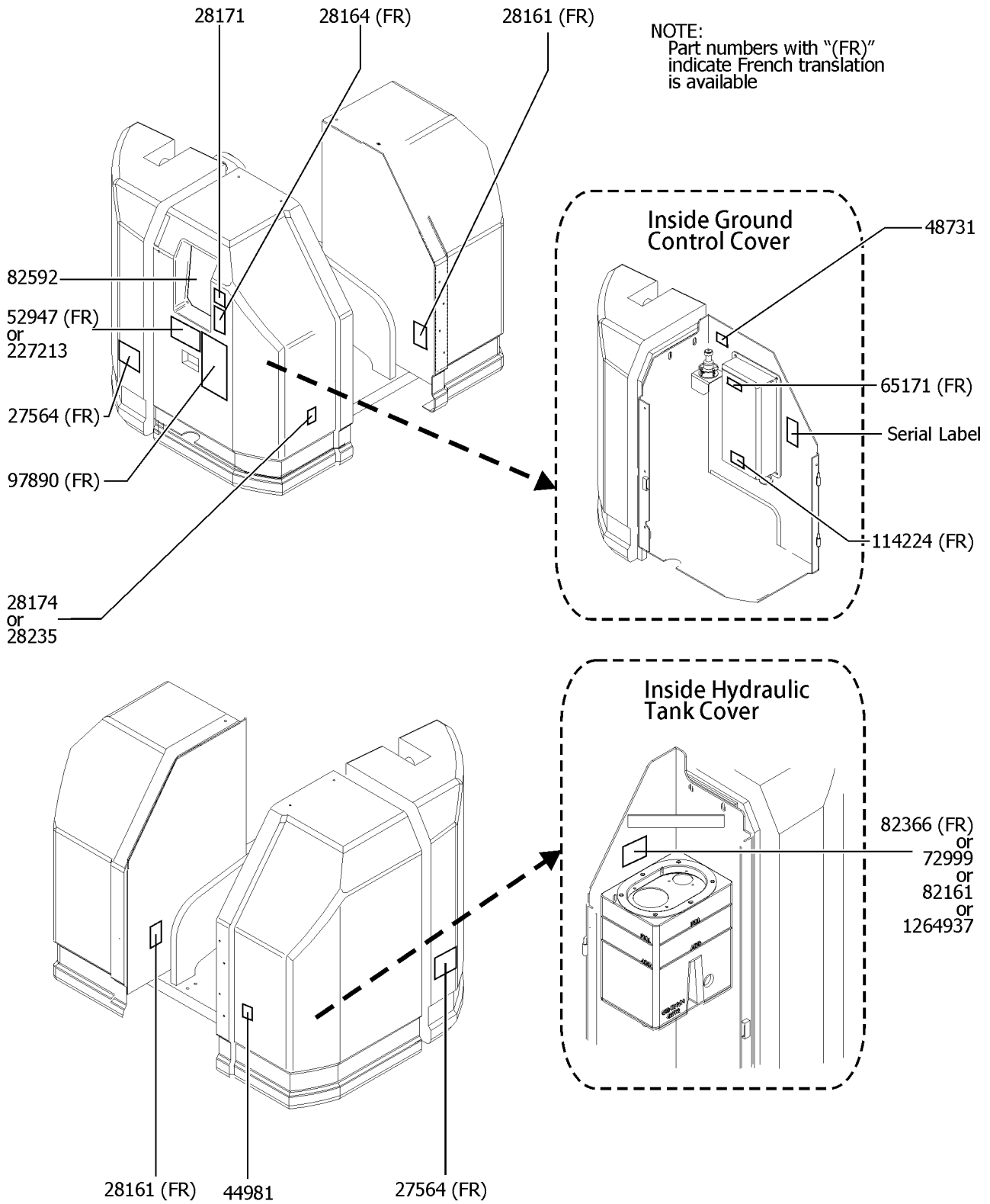
101.1 Word Decals, Chassis/Battery Box



101.1 Word Decals, Chassis/Battery Box

Item	Part No.	Description	Qty.
1	28175GT	DECAL,WARNING-COMPART ACCESS.....	1
2	28372GT	DECAL,NOTICE,BATTERY CABLES....	2
3	31060GT	DECAL,DANGER DO NOT ALTER SWTC.....	1
4	31508GT	DECAL,DANGER,ELECT HAZARD,PLUG.....	1
5	31784GT	DECAL,NOTICE,TIRE SPECS,Z34DC... <i>ANSI models</i>	4
6	31785GT	DECAL,NOTICE,CHARGER INSTRUC...2	
7	31788GT	DECAL,DANGER,BATTERY SAFETY***	2
8	35542GT	DECAL,NOTICE,LUG NUT TORQUE***	4
		<i>Z-34N</i>	
9	37053GT	DECAL,ARROW,BLUE.....	1
10	37054GT	DECAL,ARROW,YELLOW SM 5-3/8"	1
11	37055GT	DECAL,TRIANGLE,BLUE.....	2
12	37056GT	DECAL,TRIANGLE,YELLOW.....	2
13	40299GT	DECAL,NOTICE,BATT CONNECTION...2	
14	40300GT	DECAL,DANGER,TIP-OVER BATTERY.....	2
15	43595GT	DECAL,DANGER,TIP-OVER, TIRES***... <i>Z-34DC, AUS models</i>	4
16	44980GT	DECAL,LABEL,PWR TO CHARGR 115V.....	1
		<i>option, EE rated</i>	
18	52968GT	DECAL,COSMETIC,GENIE BOOM,VERT.....	1
19	62931GT	DECAL,GENIE Z-34/22 DC POWER.....2	
20	62933GT	DECAL,COSM,GENIE Z-34/22N(BOX)...2	
21	65301GT	DECAL,NOTICE,FOAM-FILLED TIRES.....	4
		<i>Z-34DC, AUS models</i>	
22	72833GT	DECAL,LABEL,OPEN,LATCH.....	2
23	133286GT	DECAL, POWER TO CHARGER, UNIV.....	1
24	139587GT	DECAL,LABEL,WHEEL LOAD Z34DC**.....	4
25	139590GT	DECAL,LABEL,WHEEL LOAD Z34N***...4	

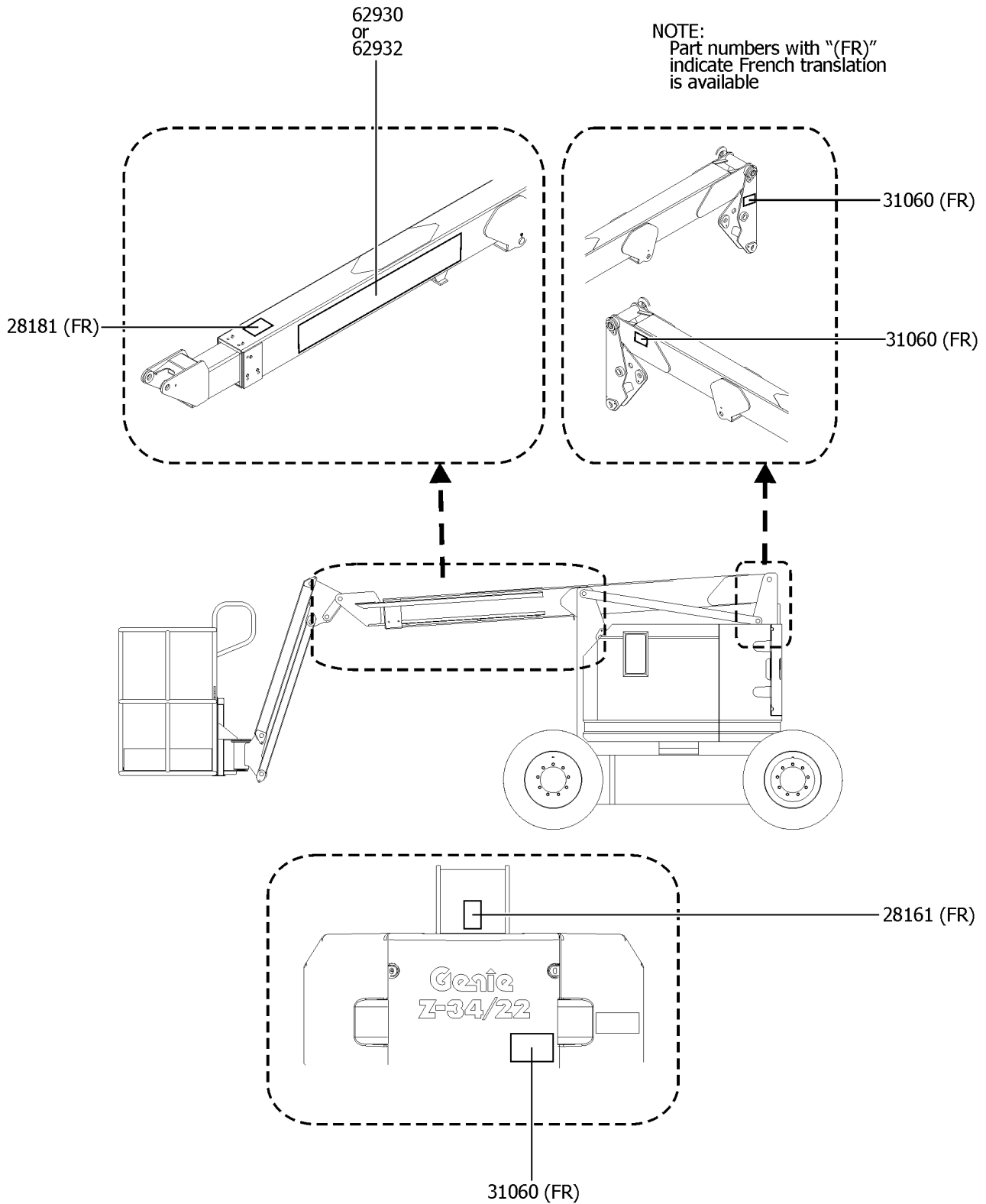
102.1 Word Decals, Turntable



102.1 Word Decals, Turntable

Item	Part No.	Description	Qty.
1	27564GT	DECAL,DANGER,ELEC.HAZ.STAY CLR.....	2
2	28161GT	DECAL,WARN,CRUSH HAZARD HAND.....	2
3	28164GT	DECAL,NOTICE,HAZARDOUS MAT'LS*.....	1
4	28171GT	DECAL,DANGER,NO SMOKING ***.....	1
5	28174GT	DECAL, POWER TO PLATFORM 230V**.....	1
6	28235GT	DECAL,POWER TO PLATFORM 115V...1	
7	44981GT	DECAL,LABEL, AIR LINE 110 PSI.....1 <i>option, airline to platform</i>	
9	52947GT	DECAL,OPERATING INSTR,GROUND.....1 <i>ANSI models</i>	
10	65171GT	DECAL,LABEL,CB & STATUS LIGHT.....1	
11	72999GT	DECAL,LABEL,PETRO CANADA***.....1 <i>option, hydraulic oil</i>	
12	82161GT	DECAL,LABEL,UCON HYDROLUBE.....1 <i>option, hydraulic oil</i>	
13	82366GT	DECAL,CHEVRON RANDO HD.....1 <i>option, hydraulic oil</i>	
14	82592GT	DECAL,GROUND CONTROL PANEL***.....	1
15	97890GT	DECAL,DANGER,GEN SAFETY RULES.....	1
16	114224GT	DECAL,LABEL,RELAYS,Z30N,Z34NDC.1	
17	227213GT	DECAL,OPER INST,DC BOOM GND AU.....1 <i>AUS models</i>	
18	1264937GT	OIL, HYD, SHELL TELLUS S4 VX <i>option, cold weather</i>	

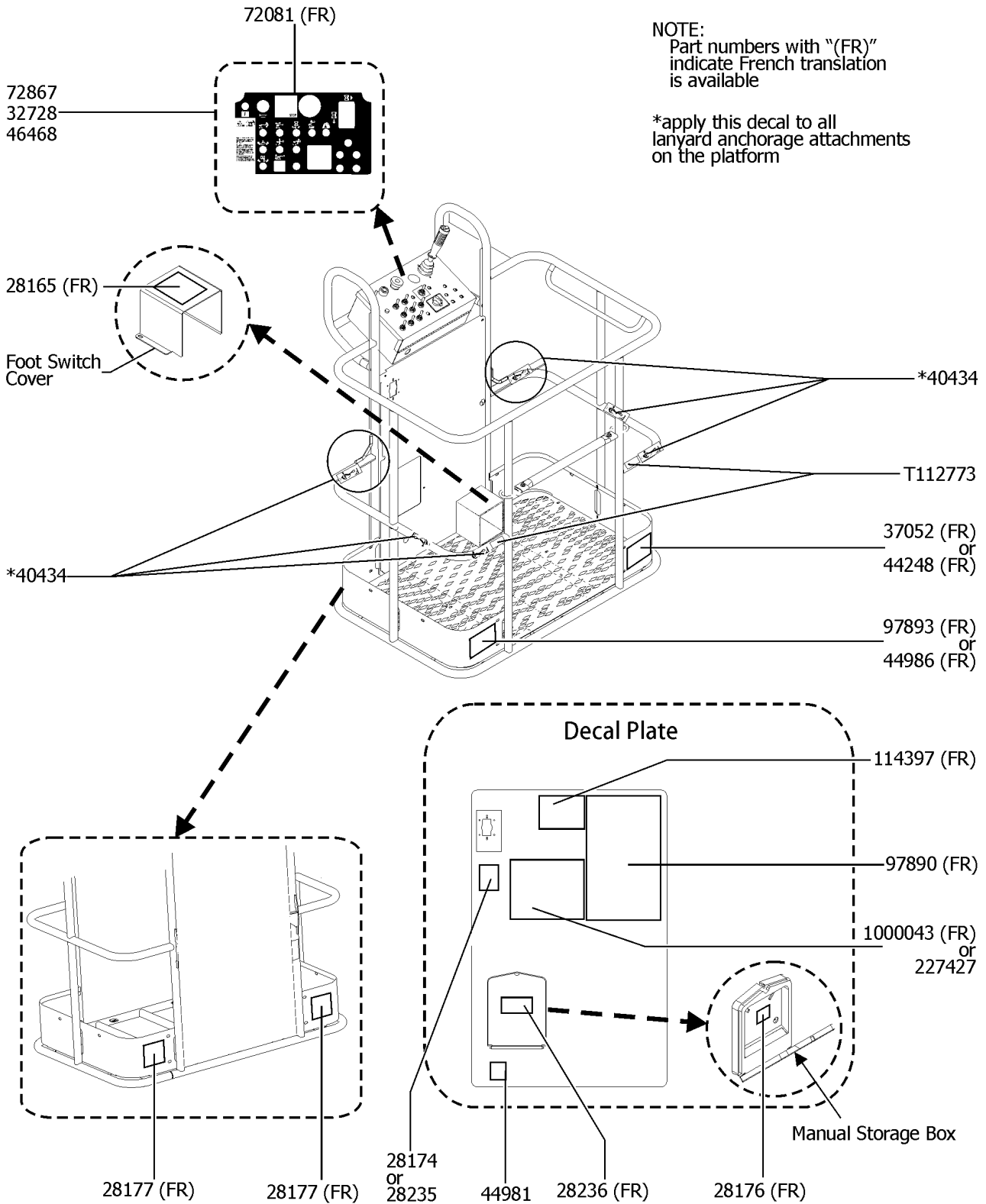
103.1 Word Decals, Boom



103.1 Word Decals, Boom

Item	Part No.	Description	Qty.
1	28161GT	DECAL,WARN,CRUSH HAZARD HAND.....	1
2	28181GT	DECAL,WARN,FALL HAZARD.....	1
3	31060GT	DECAL,DANGER DO NOT ALTER SWTC.....	3
4	62930GT	DECAL,COSMETIC,GENIE Z-34/22..... Z-34DC	1
5	62932GT	DECAL,COSMETIC,GENIE Z-34/22N.....	1

104.1 Word Decals, Platform

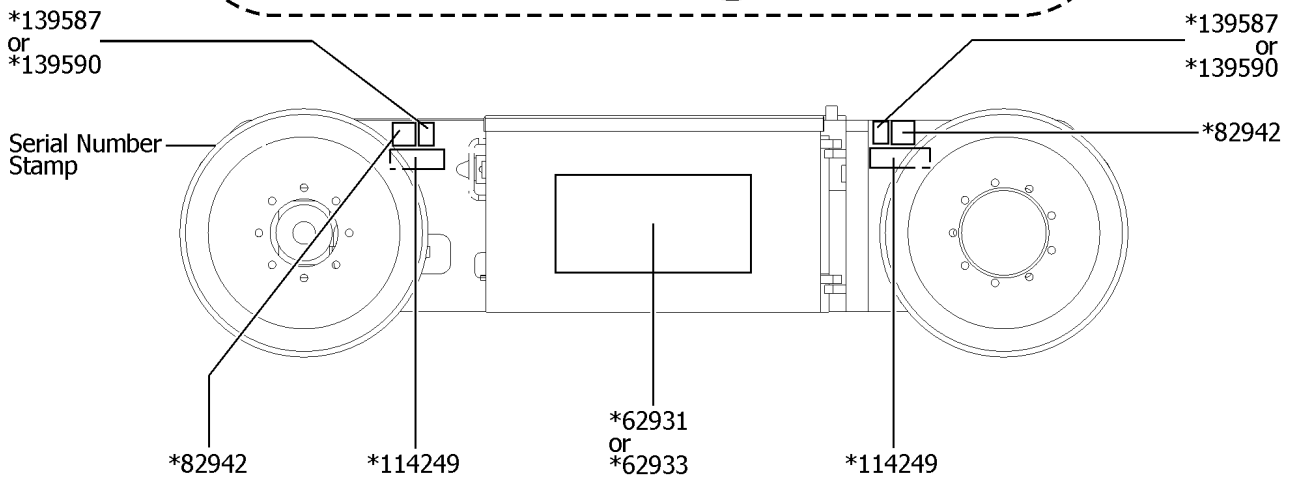
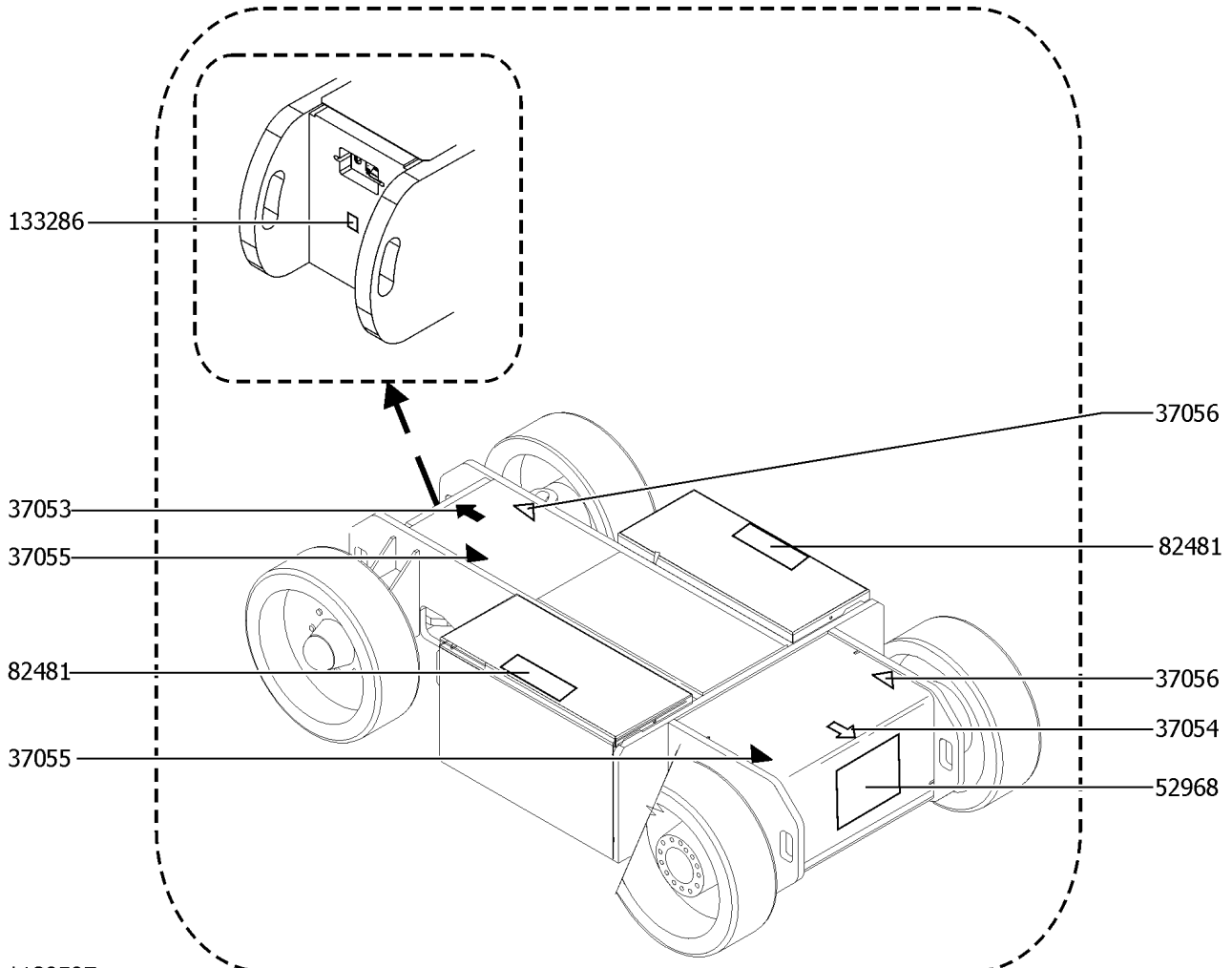


104.1 Word Decals, Platform

Item	Part No.	Description	Qty.
1	28165GT	DECAL,INSTRUCT,FOOTSWITCH OPER.....	1
2	28174GT	DECAL, POWER TO PLATFORM 230V**.....	1
3	28176GT	DECAL,LABEL,MANUAL NOT HERE.....	1
4	28177GT	DECAL,WARN,CRUSH HAZARD PLAT.....	2
5	28235GT	DECAL,POWER TO PLATFORM 115V...1	1
6	28236GT	DECAL,WARN,IMPROPER OPERATION.....	1
7	32728GT	DECAL,OPTION GENERATOR***..... <i>option, inverter</i>	1
8	37052GT	DECAL,NOTICE,MAX LOAD 500 LBS...1	1
9	40434GT	DECAL,LANYARD ANCHORAGE POINT.....	6
10	44248GT	DECAL,NOTICE,MAX CAP 440 LBS..... <i>option, aircraft protection</i>	1
11	44981GT	DECAL,LABEL, AIR LINE 110 PSI..... <i>option, airline to platform</i>	1
12	44986GT	DECAL,INSTR,SIDE FRC/WIND,AUS..... <i>AUS models</i>	1
13	46468GT	DECAL,FUNCTION OVERRIDE..... <i>option, aircraft protection</i>	1
14	72081GT	DECAL,PLATFORM CONTROL PANEL**.....	1
15	72867GT	DECAL,LABEL,LIGHTS***..... <i>option, work lights</i>	1
16	97890GT	DECAL,DANGER,GEN SAFETY RULES.....	1
17	97893GT	DECAL,NOTICE,SIDE FRC/WINDANSI..... <i>ANSI models</i>	1
18	114397GT	DECAL,DANGER,TILT ALARM.....	1
19	227427GT	DECAL, OPERATING INSTRUCTIONS..... <i>AUS models</i>	1
20	1000043GT	DECAL,NOTICE,OPER INST PLAT,DC..... <i>ANSI models</i>	1
21	T112773GT	TAPE, PROTECTIVE MASK.....	2

105.1 Symbol Decals, Chassis/Battery Box

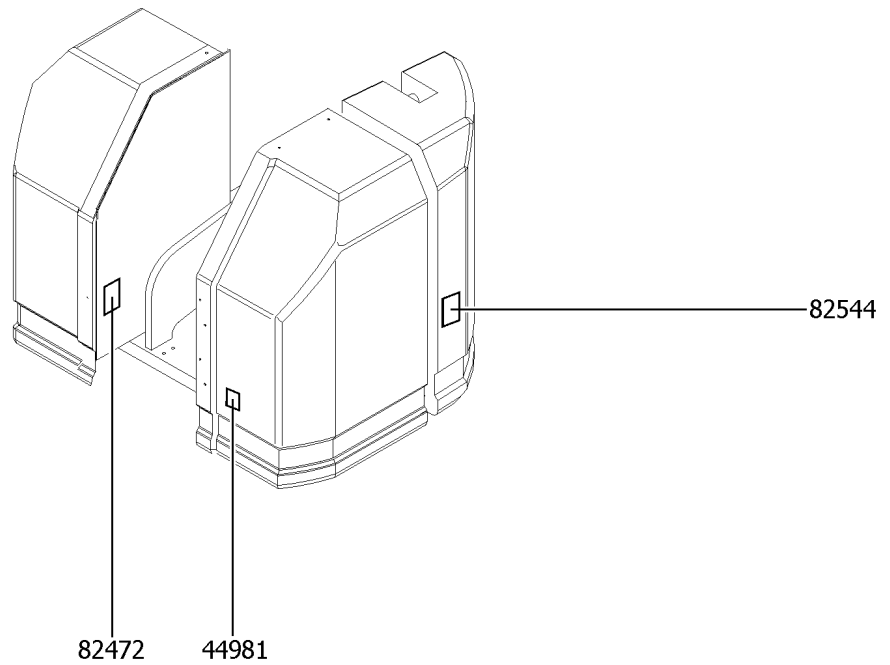
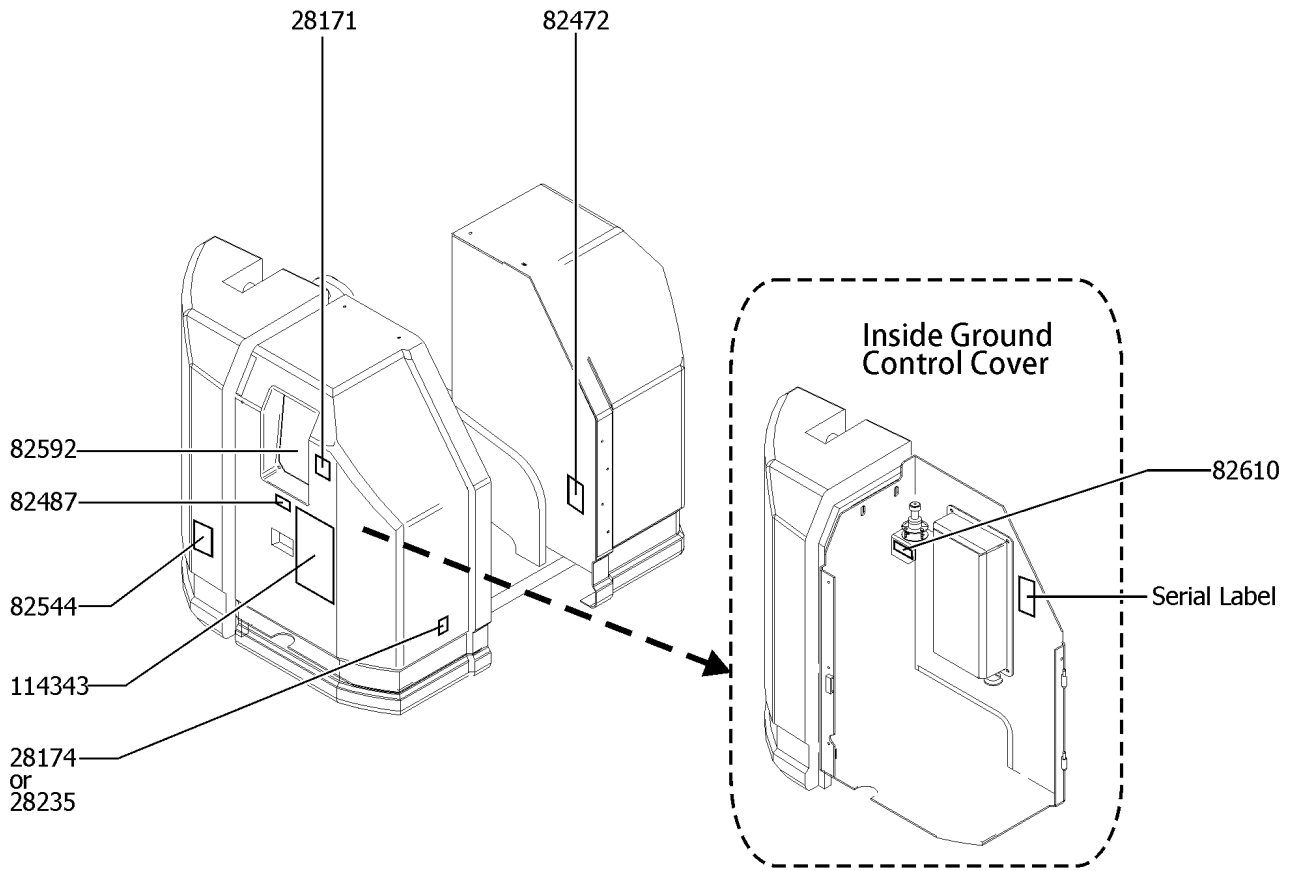
NOTE:
*Install decal on both sides of the chassis



105.1 Symbol Decals, Chassis/Battery Box

Item	Part No.	Description	Qty.
1	37053GT	DECAL,ARROW,BLUE.....	1
2	37054GT	DECAL,ARROW,YELLOW SM 5-3/8".....	1
3	37055GT	DECAL,TRIANGLE,BLUE.....	2
4	37056GT	DECAL,TRIANGLE,YELLOW.....	2
5	52968GT	DECAL,COSMETIC,GENIE BOOM,VERT.....	1
6	62931GT	DECAL,GENIE Z-34/22 DC POWER..... <i>Z-34DC</i>	2
7	62933GT	DECAL,COSM,GENIE Z-34/22N(BOX)... <i>Z-34N</i>	2
8	82481GT	DECAL,SYMBOL-BATTERY SAFETY.....	2
9	82942GT	DECAL,LABEL,TIRE PRESS,Z-34/22..... <i>Z-34DC, ANSI models</i>	4
10	114249GT	DECAL,LABEL,TIPOVER,TIRES,SYMB.4 <i>Z-34DC, CE models</i>	4
11	133286GT	DECAL, POWER TO CHARGER, UNIV.....	1
12	139587GT	DECAL,LABEL,WHEEL LOAD Z34DC**.....	4
13	139590GT	DECAL,LABEL,WHEEL LOAD Z34N***..	4

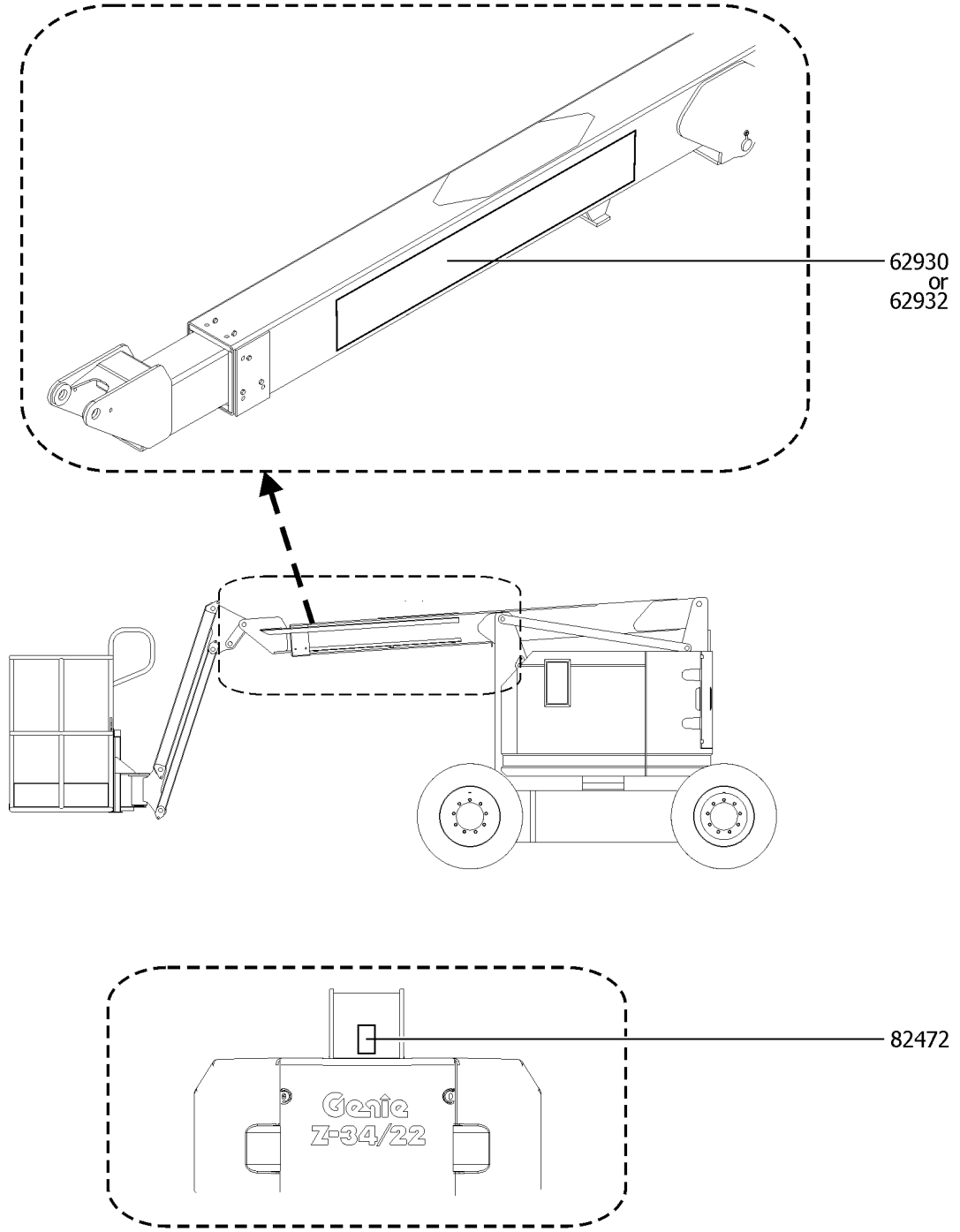
106.1 Symbol Decals, Turntable



106.1 Symbol Decals, Turntable

Item	Part No.	Description	Qty.
1	28171GT	DECAL,DANGER,NO SMOKING ***.....1	1
2	28174GT	DECAL, POWER TO PLATFORM 230V**.....1	1
3	28235GT	DECAL,POWER TO PLATFORM 115V...1	1
4	44981GT	DECAL,LABEL, AIR LINE 110 PSI.....1 <i>option, airline to platform</i>	1
5	82472GT	DECAL,WARNING,CRUSHING HAZARD.....2	2
6	82487GT	DECAL, SYMBOL - READ THE MANUAL.....1	1
7	82544GT	DECAL,DANGER,ELEC.HAZ.STAY CLR.....2	2
8	82592GT	DECAL,GROUND CONTROL PANEL***.....1	1
9	82610GT	DECAL,LABEL,CB & STATUS LIGHT.....1	1
10	114343GT	DECAL,LABEL,EMERGENCY DOWN....1	1

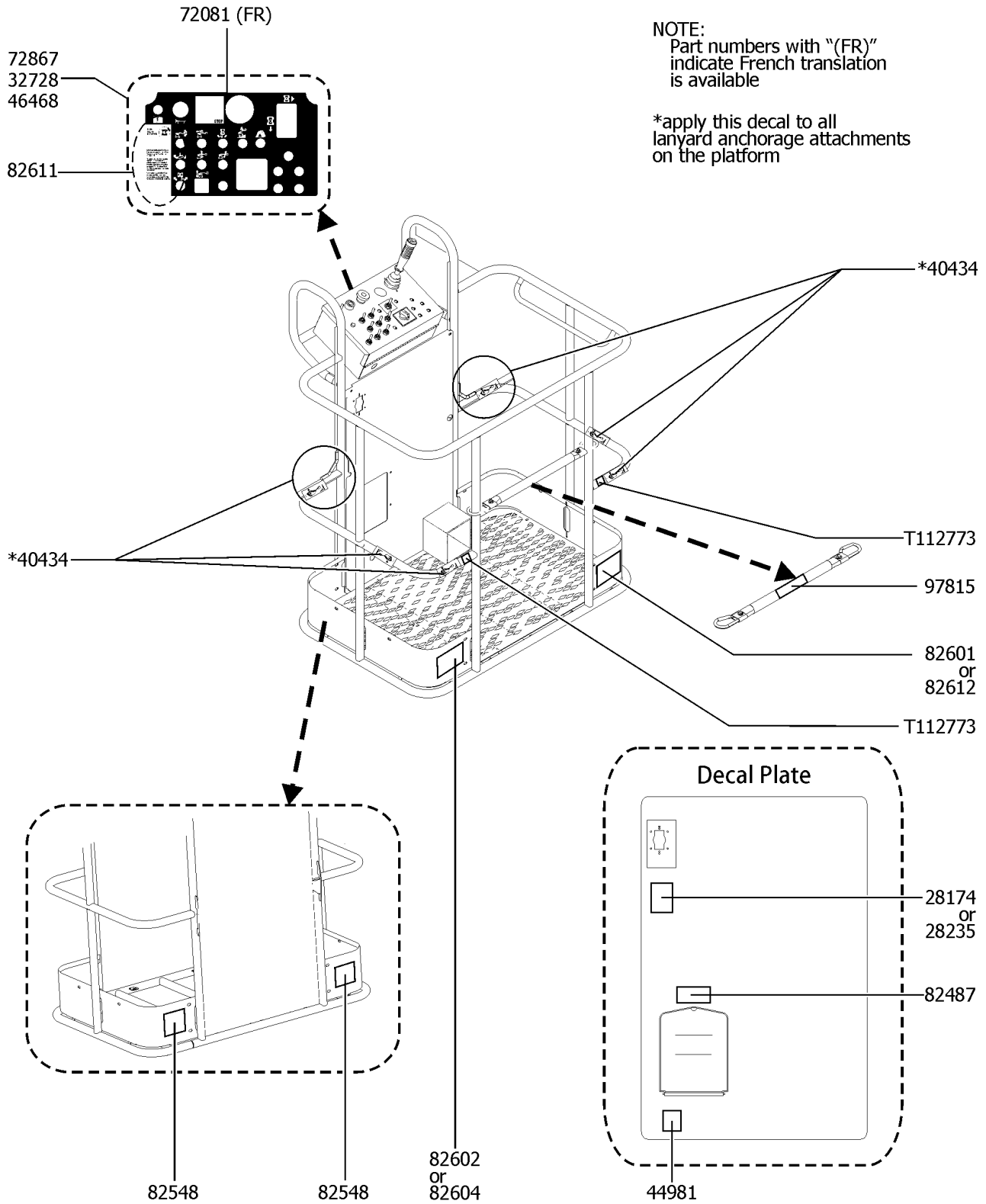
107.1 Symbol Decals, Boom



107.1 Symbol Decals, Boom

Item	Part No.	Description	Qty.
1	62930GT	DECAL,COSMETIC,GENIE Z-34/22.....1 Z-34DC	1
2	62932GT	DECAL,COSMETIC,GENIE Z-34/22N.....1	1
3	82472GT	DECAL,WARNING,CRUSHING HAZARD.....1	1

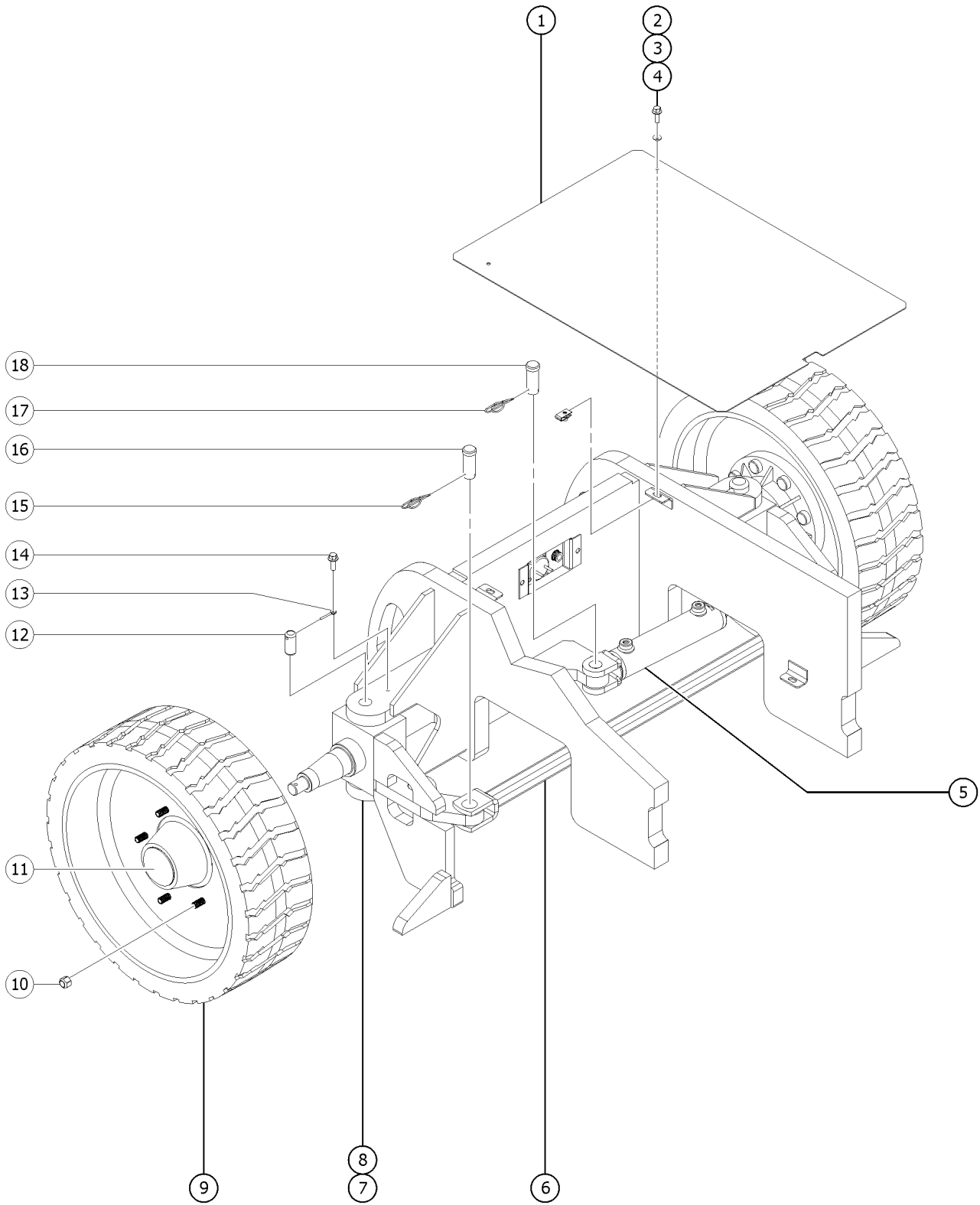
108.1 Symbol Decals, Platform



108.1 Symbol Decals, Platform

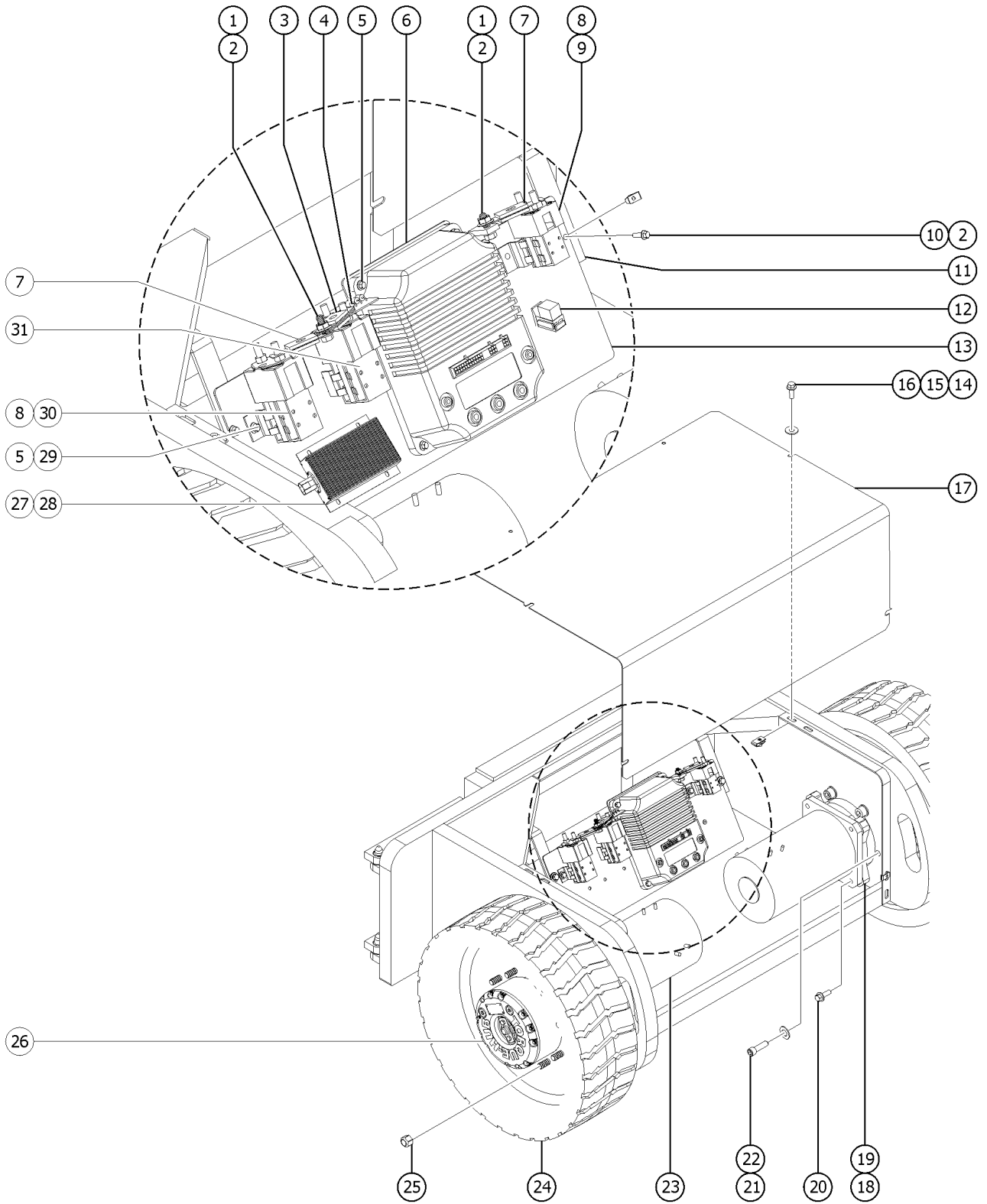
Item	Part No.	Description	Qty.
1	28174GT	DECAL, POWER TO PLATFORM 230V**.....	1
2	28235GT	DECAL,POWER TO PLATFORM 115V...1	1
3	32728GT	DECAL,OPTION GENERATOR***.....1 <i>option, inverter</i>	1
4	40434GT	DECAL,LANYARD ANCHORAGE POINT.....	6
5	44981GT	DECAL,LABEL, AIR LINE 110 PSI.....1 <i>option, airline to platform</i>	1
6	46468GT	DECAL,FUNCTION OVERRIDE.....1 <i>option, aircraft protection</i>	1
7	72081GT	DECAL,PLATFORM CONTROL PANEL**.....	1
8	72867GT	DECAL,LABEL,LIGHTS***.....1 <i>option, Work lights</i>	1
9	82487GT	DECAL, SYMBOL - READ THE MANUAL.....	1
10	82548GT	DECAL,WARN,CRUSH HAZARD PLAT.....	2
11	82601GT	DECAL,LABEL,MAX CAPACITY***.....1	1
12	82602GT	DECAL,DANGER,MAX SIDE FRC,667N.....1 <i>ANSI models</i>	1
13	82604GT	DECAL,DANGER,SIDE FRC 400N.....1 <i>CE models</i>	1
14	82611GT	DECAL,DRIVE ENABLE PATCH.....1	1
15	82612GT	DECAL,DANGER,MAX CAP,200KG.....1 <i>option, aircraft protection</i>	1
16	97815GT	DECAL,LABEL,LOWER MIDRAIL.....1	1
17	T112773GT	TAPE, PROTECTIVE MASK.....	2

201.1 Steer End



Item	Part No.	Description	Qty.
--	96317GT	GROUND STRAP,12"LG***	
1	40438GT	COVR W/DECALS DR CHAS STR END*.....	1
2	824078GT	SCREW,HHF,1/4-20X.75,8,ZAG.....	2
3	824113GT	WASHER,FLAT,USS,1/4,ZAG.....	2
4	56912GT	SPRING CLIP,1/4-20,.025-.15X.54,ZAG.....	2
5	88337GT	CYLINDER,STEER.....	1
--	88338GT	SEAL KIT, 88337	
6A	36676GT	TIE ROD,WELDMENT,Z34..... Z-34N	1
7A	74312GT	YOKE ASSY,LH,Z30NRJ..... Z-34N, left front (shown)	2
--	25817GT	BEARING,1.00IDX1.25ODX1.00L.....	1
--	45071GT	BEARING,1.5IDX1.75ODX1.5L.....	2
7B	74313GT	YOKE ASSY,RH,Z30NRJ..... Z-34N, right front	2
--	25817GT	BEARING,1.00IDX1.25ODX1.00L.....	2
--	45071GT	BEARING,1.5IDX1.75ODX1.5L.....	2
8	45074GT	WASHER,THRUST,1.5 X 3.5 X .187.....	4
9A	94908GT	TIRE & WHEEL ASSY,FRONT N-M..... Z-34N; solid non-marking tire, 8-hole wheel (Z-34N tire shown)	2
10	824042GT	NUT,LUG,5/8-18X90 DEG,ZAG.....	18
11	45043GT	HUB ASSEMBLY MODEL#60-8***.....	2
--	21166GT	LUG BOLT,5/8-18,WHEEL HUB***	
--	40145GT	BEARING RACE (LARGE) (45873)..... inner cone not included	2
--	40146GT	BEARING RACE (SMALL) (45873)..... outer cone not included	2
--	45107GT	INNER CONE - MODEL 60-8 large bearing race not included	
--	45108GT	OUTER CONE - MODEL 60-8 small bearing race not included	
--	45111GT	CAP,DUST,45873 HUB KIT	
--	45112GT	WASHER,SPINDLE	
--	45113GT	NUT,SPINDLE,1-14	
--	45873GT	SEAL/BEARING KIT (45043,54840)	
12A	36211GT	PIN,1.50DIA X 3.25LG,1HOLE..... Z-34N	4
13B	825019GT	ROD END,.375X3.69,ZAG..... Z-34N	4
14	824090GT	SCREW,HHF,3/8-16X1,8,ZAG.....	4
15	824128GT	RUE RING,3/4,ZAG.....	2
16	824126GT	PIN,CLEVIS,3/4X3,ZAG.....	2
17	824129GT	RUE RING,1.0,ZAG.....	2
18	824127GT	PIN,CLEVIS,1.0X2.41,SAE,ZAG.....	2

202.1 Non-Steer End, Electronic Control Module



202.1 Non-Steer End, Electronic Control Module

Item	Part No.	Description	Qty.	Item	Part No.	Description	Qty.
1	1255805GT	NUT,SERRATED,5/16-18,8,ZAG.....	2	--	139354GT	O-RING KIT, AUSCO 1200 IN/LB	
2	824086GT	SCREW,HHF,5/16-18X1,8,ZAG.....	3	--	139355GT	GASKET KIT, AUSCO 1200 IN/LB	
3	43179GT	FUSE,500 AMP,VERY FAST ACTING.....	1	--	65608GT	BEARING KIT, AUSCO***	
4	56930GT	DIODE,PCB DRIVE CONTACTOR**.....	1	20	824091GT	SCREW,HHF,3/8-16X1.25,8,ZAG.....	8
5	824079GT	SCREW,HHF,1/4-20X1,8,ZAG.....	4	21A	824105GT	SCREW,SHC,5/8-11X2.5,A574,ZAG.....	12
6A	128335GT	CONTROLLER,SEP-EX,Z34N***.....	1			Z-34N	
6B	128965GT	KIT CONTROL SEPEX UPGRADE 34Bl.....	1	22	824121GT	WASHER,FLAT,.688X1.160X.09,HRD...	12
		<i>includes 128336, wire harness and fasteners</i>		23	74643GT	MOTOR,DRIVE,SEPEX.....	2
--	128336GT	CONTROLLER,SEPEX Z34DC/BE.....	1	--	44778GT	BEARING,MOTOR,36843,BRUSH END*	
--	56029GT	CONNECTOR,MOLEX 24-WAY**		--	65872GT	BRUSH LEAD ASSEMBLY KIT(56831)	
--	56030GT	TERMINAL,MOLEX 16 GAUGE***		--	72078GT	BRUSH BOX ASSY	
--	56561GT	TOOL,TERMINAL CRIMPER,MOLEX***		--	T108887GT	SPRING, BRUSH	
--	56562GT	TOOL,TERMINAL EXTRACTOR,MOLEX		24A	94909GT	TIRE & WHEEL ASSY,REAR N-M.....	2
7	36355GT	FUSE,100 AMP,VERY FAST ACTING.....	2			Z-34N; solid, non-marking, 9 hole x 9.5 inch BC	
8	74282GT	DUST SHIELDS,180A CONTACTOR.....	4	25	824042GT	NUT,LUG,5/8-18X90 DEG,ZAG.....	18
		<i>for EE units only</i>		26A	106148GT	WHEEL DRIVE,4HB,48:1***.....	2
9A	74268GT	CONTACTOR,AUX PUMP 24V,80A***.....	1			<i>verify before ordering; DO NOT USE with a different torque hub</i>	
--	22262GT	CONTACT,MOVING,19549RELAY*		--	106117GT	O-RING,2-010,VITON <i>for 106148 (Mating O-ring for Brake Port)(Extremely small)</i>	
--	22263GT	CONTACT,STATIONARY,19549RELAY*		--	106120GT	WHEEL STUD, 4HP, 5/8-18*** <i>for 106148</i>	
--	74495GT	SPRING, RETURN (FOR 74268)		--	106121GT	ROD,DISCONNECT 4HP/4HB*** <i>for 106148</i>	
9B	74266GT	CONTACTOR,LIFT PUMP 24V 180A**...1	1	--	106122GT	CAP,DISENGAGE,4HP/4HB*** <i>for 106148</i>	
		<i>for EE units only</i>		--	106123GT	O-RING,END COVER,4HP/4HB*** <i>for 106148</i>	
10	36456GT	SPRING CLIP,5/16-18,.025-.15X.....	1	--	106124GT	LINING KIT, BRAKE, 4HP*** <i>for 106148</i>	
11	45454GT	CLAMP,RUB CUSH,0.75,#12 X 3/8*.....	1	--	106125GT	SEAL KIT, BRAKE, 4HP <i>for 106148 (inventory limited to stock on hand as component is no longer available)</i>	
12	823226GT	POWER RELAY, 24V COIL.....	1	--	106126GT	BEARING KIT,4HP <i>for 106148 (inventory limited to stock on hand as component is no longer available)</i>	
		<i>for drive light option</i>		--	1286600GT	SEAL KIT,WHEEL DRIVE (106148/106445/107712) <i>for 106148 (inventory limited to stock on hand as component is no longer available)</i>	
--	61226GT	RELAY SOCKET,70AMP		--	1286602GT	SEAL KIT,WHEEL DRIVE W/BRAKE (101584/101585) <i>for 106148</i>	
13A	74424GT	CONTACTOR PANEL ASSEMBLY.....	1	--	1286603GT	BEARING KIT,WHEEL DRIVE W/BRAKE (101584/101585) <i>for 106148</i>	
		<i>includes item 29, Z-34N to SN 10983, Z-34 to SN 9685</i>		--	146051GT	BEARING NUT*** <i>for 106148</i>	
13B	236665GT	ASSEMBLY, CONTROLLER PLATE.....	1				
		<i>includes item 29, Z-34N from SN 10984, Z-34 from SN 9686</i>					
14	824078GT	SCREW,HHF,1/4-20X.75,8,ZAG.....	4				
15	824113GT	WASHER,FLAT,USS,1/4,ZAG.....	4				
16	56912GT	SPRING CLIP,1/4-20,.025-.15X.54,ZAG.....	4				
17A	128730GT	COVER, DRIVE CHASSIS,Z34N.....	1				
		<i>34.88-inches wide, decals not included, refer to section 100</i>					
17B	128729GT	COVER, DRIVE CHASSIS, Z34					
		<i>40.63-inches wide, decals not included, refer to section 100</i>					
18	824103GT	SCREW,SHC,1/2-13X3,A574,ZAG.....	4				
19	139351GT	BRAKE, NEMA, 1200 IN/LB.....	2				
--	139353GT	STACK KIT, AUSCO 1200 IN/LB					

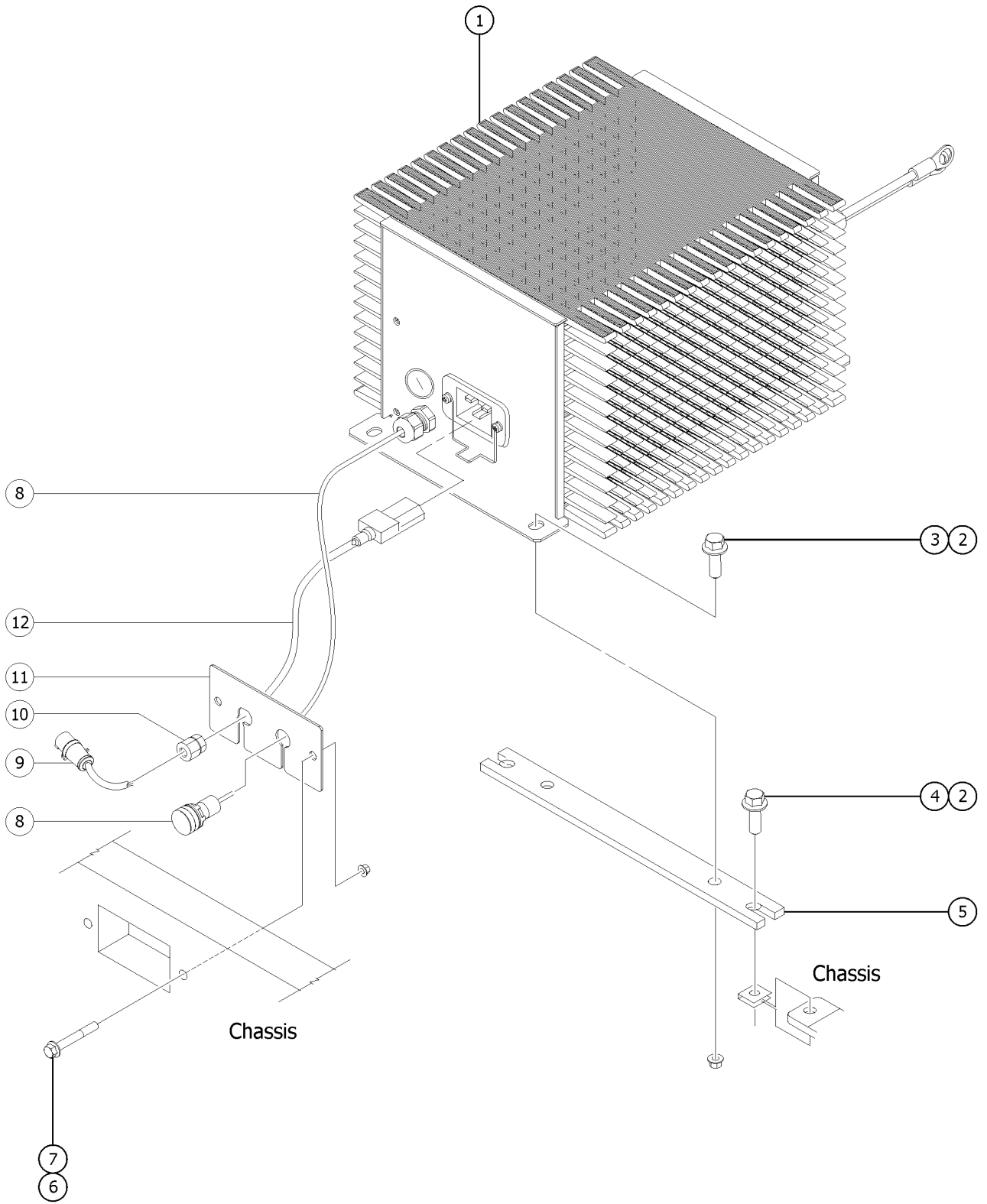
202.1 Non-Steer End, Electronic Control Module (continued)

Item	Part No.	Description	Qty.
--	146052GT	SET SCREW*** <i>for 146051</i>	
--	215777GT	INPUT CARRIER, SUB-ASSEMBLY <i>for 106148</i>	
--	232486GT	SNAP RING,WHEEL DRIVE <i>for 106148</i>	
--	58320GT	KIT,TORQUE HUB COVER(101584)** <i>for 106148</i>	
--	9990074GT	COUPLING <i>for 106148 (brake coupler)</i>	
26B	218570GT	WHEEL DRIVE, NON-BRAKE, 47.6:1.....2 <i>verify before ordering; DO NOT USE with a different torque hub</i>	
--	139965GT	WHEEL STUD,5/8-18,OMNI*** <i>for 218570</i>	
--	139966GT	ROD,DISCONNECT,OMNI*** <i>for 218570</i>	
--	139967GT	CAP,DISENGAGE,OMNI*** <i>for 218570</i>	
--	139968GT	O-RING,END COVER,OMNI*** <i>for 218570</i>	
--	147034GT	PIPE PLUG KIT,OMNI*** <i>for 218570</i>	
--	229833GT	BEARING KIT, OMNI <i>for 218570</i>	
--	229834GT	SEAL KIT, OMNI <i>for 218570</i>	
--	58531GT	ORING,568-908 N552-90 NBR,10PK <i>for 218570</i>	
27	79452GT	CONVERTER, DC-DC, 48-26 VOLT**1 <i>from SN Z34N-10984; Z34-</i>	
--	822917GT	KIT, DC-DC CONVERTER, DC <i>Z-34N/DC field install kit</i>	
--	822918GT	KIT, DC-DC CONVERTER, BE <i>Z-34BE field install kit</i>	
28	1251757GT	SCREW,PHPM,10-32X.50,ZAG.....4 <i>from SN Z-34N-10984;</i>	
29	23404GT	NUTSERT,1/4-20,STEEL CAD PLTD.....2	
30	74266GT	CONTACTOR,LIFT PUMP 24V 180A**...1	
--	62695GT	CONTACT,STATIONARY (56434)**	
--	62696GT	CONTACT-MOVEABLE (56434)**	
--	74471GT	SPRING,RETURN (74266)	
31	74267GT	CONTACTOR,DRIVE,24V,180A***.....1	
--	74282GT	DUST SHIELDS,180A CONTACTOR <i>(EE models only) Limited inventory available; this component is no longer available from our supplier</i>	
--	74468GT	SPRING, RETURN (FOR 74267)	
--	74469GT	FIXED CONTACT (FOR 74267)	
--	74470GT	MOVING CONTACT (FOR PN 74267)	

202.1 Non-Steer End, Electronic Control Module
(continued)

This Page Intentionally Left Blank

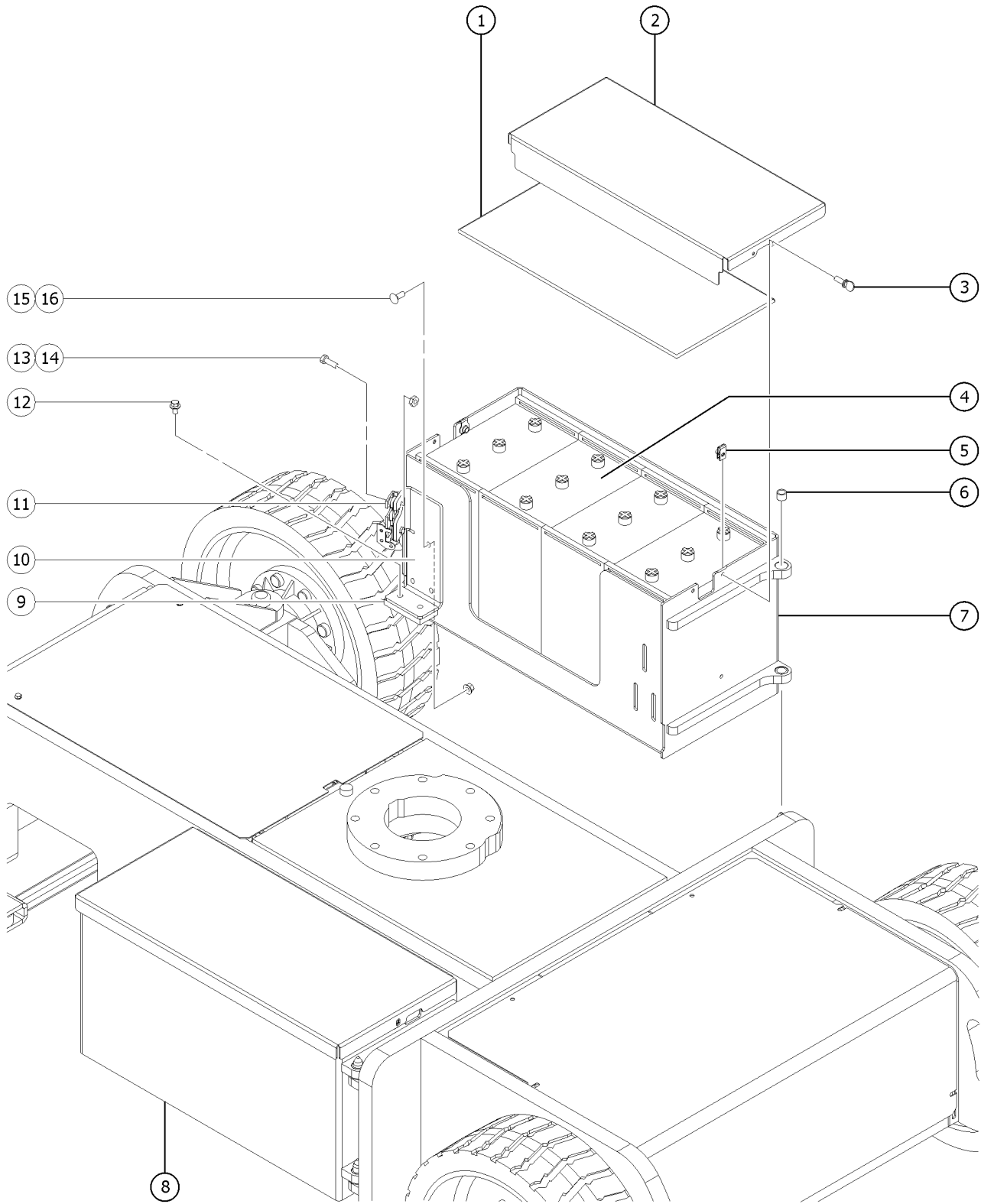
203.1 Battery Charger



203.1 Battery Charger

Item	Part No.	Description	Qty.
1	128375GT	CHARGER 48V/30A AUTO AC X-LED....1 <i>includes item 8 (order power cord separately)</i>	1
--	133286GT	DECAL, POWER TO CHARGER, UNIV.....1	1
--	139858GT	HARN.CHARGER INTERLOCK Z34.....1	1
--	228947GT	CLIP,RETAINING,IES CHARGER.....1	1
2	824078GT	SCREW,HHF,1/4-20X.75,8,ZAG.....8	8
3	824027GT	NUT,TL FLG,1/4-20,G,ZAG.....4	4
4	56912GT	SPRING CLIP,1/4-20,.025-.15X.54,ZAG.....4	4
5	36673GT	PLATE,CHARGER MOUNT.....2	2
6	824094GT	SCREW,HHF,3/8-16X2.75,8,ZAG.....2	2
7	824029GT	NUT,TL FLG,3/8-16,G,ZAG.....2	2
8	228973GT	KIT,ASSY,LED,IES CHARGER.....1 <i>with spade terminals</i>	1
--	19246GT	TERMINAL,FEMALE COUPLER,18-22G.....1	1
--	19247GT	TERMINAL,MALE COUPLER,18-22GA.....2	2
--	230759GT	ASSY,IES CHARGER LED.....1	1
9A	1280665GT	PLUG, TYPE F, 230A, 50HZ, 16A, IP44.....1 <i>Euro 220V</i>	1
9B	144161GT	PLUG,PWR,UK,16AMP,3PIN,BLK <i>UK 110V</i>	
9C	25388GT	PLUG,FUSED,250V,13AMP,U.K.** <i>UK 220V</i>	
--	65737GT	FUSE,13 AMP,220V PLUG*** <i>(for 25388)</i>	
10A	128118GT	BUSHING,STRAIN RELIEF,.875/.40.....1 <i>domestic</i>	1
10B	139318GT	BUSHING,STRAIN RELIEF,.875/.30.....1 <i>UK</i>	1
11	128825GT	BRACKET, CHARGER CORD AND LED.....1	1
12A	128377GT	CORD AC IEC320-C19 TO 110US <i>US 110V</i>	
12B	128376GT	CORD EURO AC IEC320-C19PIGTAIL <i>EU 110V</i>	
12C	128645GT	CORD AC IEC320-C19 TO 220EU <i>EU 220V</i>	

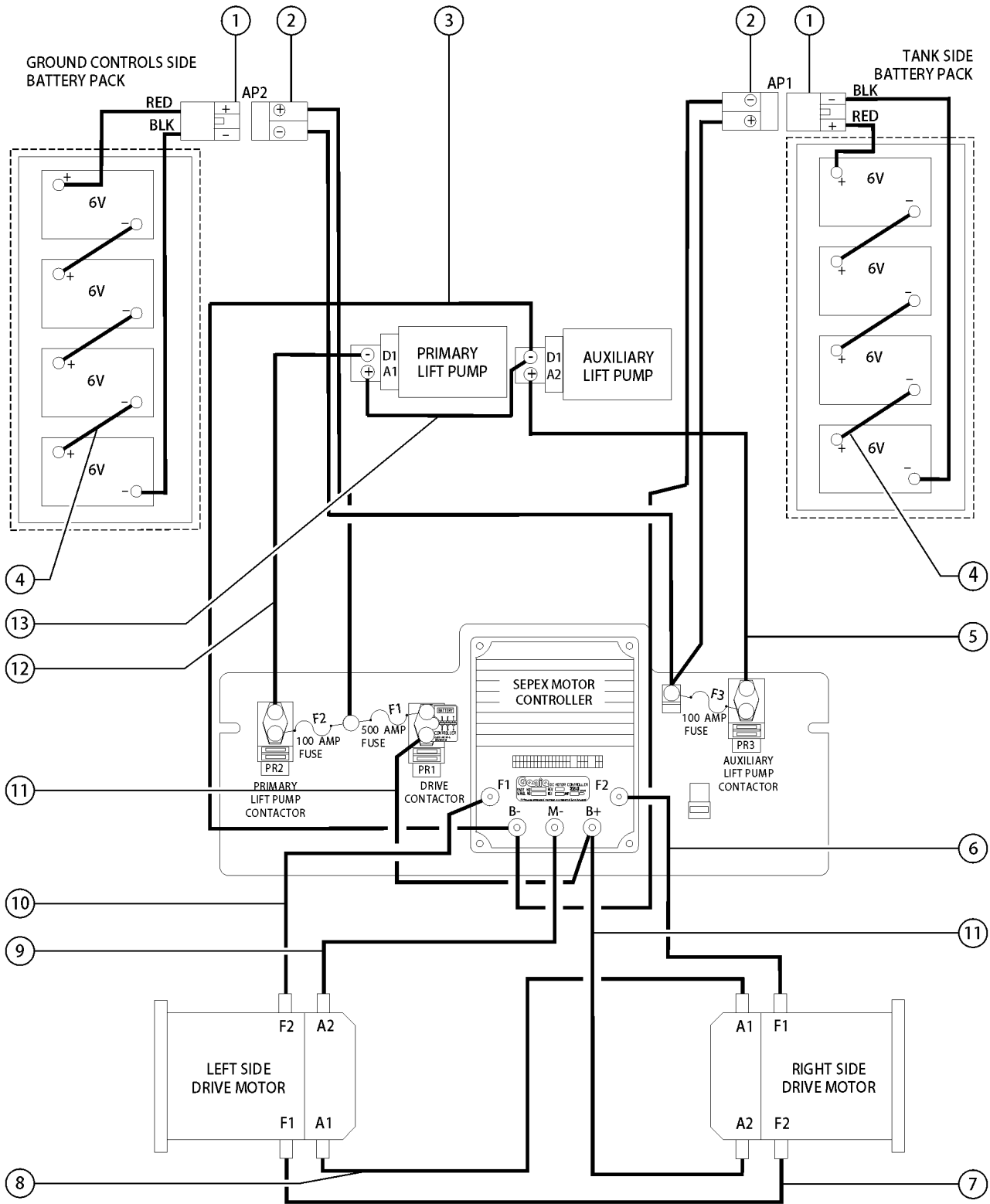
204.1 Battery Packs



204.1 Battery Packs

Item	Part No.	Description	Qty.
1	106241GT	INSULATION,48V BATT.BOX LID.....1 <i>for models with AGM batteries</i>	1
2	229729GT	COVER,BATTERY BOX** <i>lid with no decals; 13.36 inches x 29.50 inches</i>	1
3	824228GT	SCREW,THUMB,A-REG,3/8-16X1,ZAG..4	4
4A	56462GT	BATTERY, J 305GH, 315AH.....8	8
4B	823685GT	BATTERY,AGM,6V/320A,J305.....8 <i>used with universal charger 128375 revision E or later</i>	8
5	29868GT	SPRING CLIP,3/8-16,.05-.20X.73,ZAG....4	4
6	36369GT	BEARING,0.75IDX1.00ODX0.75L.....8	8
7A	94022GT	BATTERY BOX ASSY. W/DECALS RH....1 <i>Z-34N; includes items 9-16</i>	1
7B	77969GT	BATT. BOX ASSY.RH, Z34DC.....1 <i>Z-34DC; includes items 9-16</i>	1
--	45382GT	SHIM,PRIMARY BOOM,.052 THK.....1 <i>Z-34DC</i>	1
--	45465GT	SHIM,PRIMARY BOOM,.022 THICK.....1 <i>Z-34DC</i>	1
7C	106054GT	BATT BOX ASSY.W/DECAL 34BI RH*....1 <i>Z-34BE; includes items 9-16</i>	1
8A	94023GT	BATTERY BOX ASSY. W/DECALS LH....1 <i>Z-34N; includes items 9-16</i>	1
8B	77970GT	BATT. BOX ASSY.LH, Z34DC.....1 <i>Z-34DC; includes items 9-16</i>	1
--	45382GT	SHIM,PRIMARY BOOM,.052 THK.....1 <i>Z-34DC</i>	1
--	45465GT	SHIM,PRIMARY BOOM,.022 THICK.....1 <i>Z-34DC</i>	1
8C	106055GT	BATT BOX ASSY.W/DECAL 34BI LH*....1 <i>Z-34BE; includes items 9-16</i>	1
9	45209GT	WEAR PAD,4X2X.5 W/INSERT***.....2	2
10A	229806GT	FORMING,BATTERY BOX LATCH RH....1	1
10B	229805GT	FORMING,BATTERY BOX LATCH LH....1	1
11A	66901GT	LATCH,ROTARY, W/KNOB,RIGHT.....1 <i>(Shown)</i>	1
11B	66900GT	LATCH,ROTARY, W/KNOB,LEFT.....1	1
12	824077GT	SCREW, HHF, 1/4-20 X .5, 8, ZAG.....4	4
13	824066GT	SCREW,HHF,5/16-18X1.5,8,ZAG.....6	6
14	1252977GT	NUT,TL JAM,5/16-18,A,ZAG.....6	6
15	824125GT	BOLT,CARRIAGE,3/8-16X1,5,ZAG.....6	6
16	824029GT	NUT,TL FLG,3/8-16,G,ZAG.....6	6

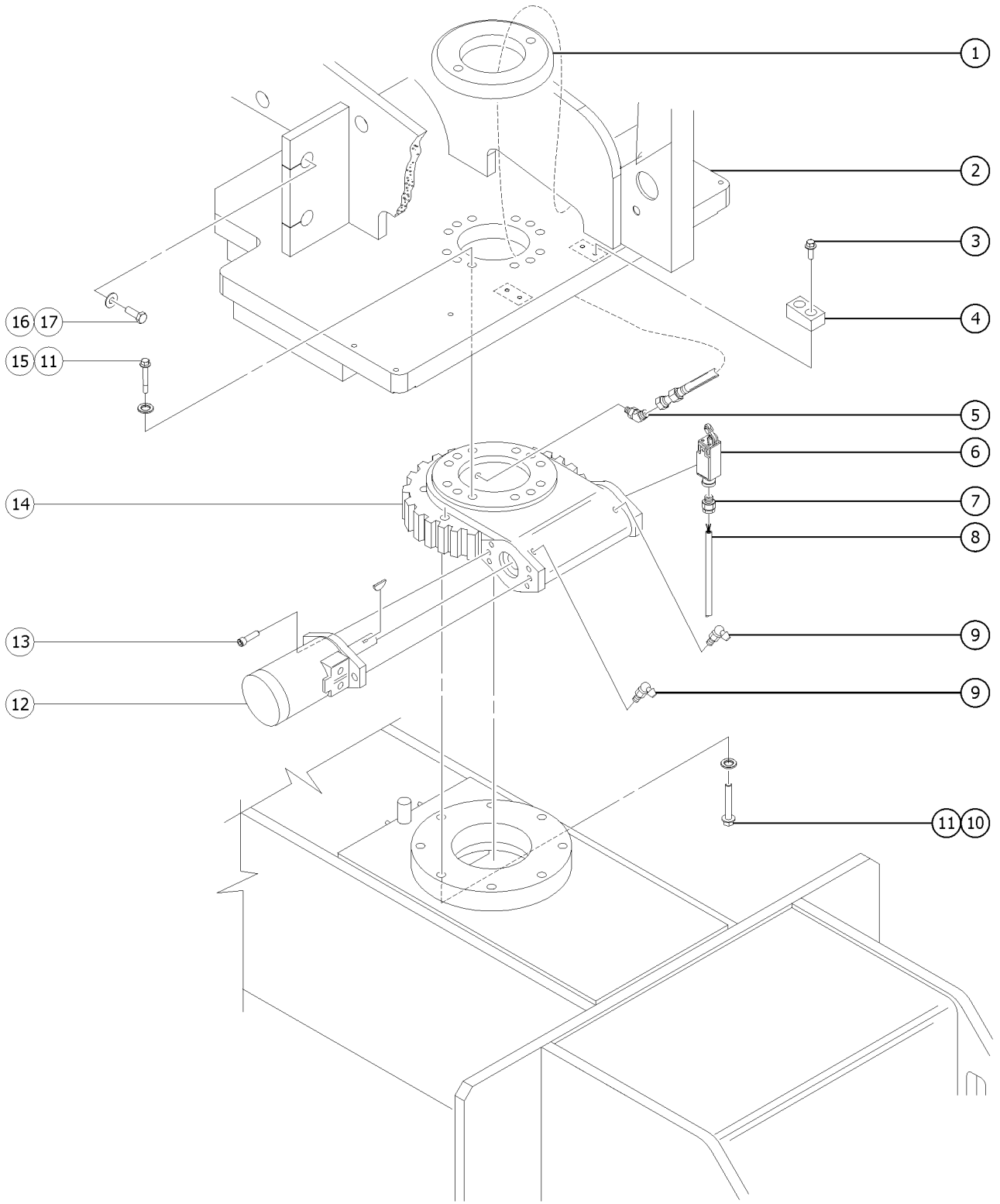
205.1 Power Cable Diagram



205.1 Power Cable Diagram

Item	Part No.	Description	Qty.
--	51147GT	BOOT,CABLE TERMINAL,LG,RED,2/0	
1	825066GT	HARN ASSY, POWER BATT PACK.....2	
--	128465GT	CABLE ASSY #2 RED BATT.....1	
--	128466GT	CABLE ASSY #2 BLK AP1/AP2 BATT....1	
2	139010GT	HARN ASSY, POWER DRIVE CHASS....2	
--	128458GT	CABLE ASSY #2 RED AP1/AP2 DRIV....1	
--	128459GT	CABLE ASSY #2 BLK AP1/AP2 DRIV....1	
3	139037GT	CABLE ASSY #4 BLK B(-)/AP-D1.....1 Z-34N	
4	19520GT	BATTERY CABLE ASSY,9.5"JUMPER....2	
5	139036GT	CABLE ASSY #4 RED PR3/AP-A2.....1 Z-34N	
6	139021GT	WIRE ASSY #10 RED F2/F1.....1 Z-34N	
7	139038GT	WIRE ASSY #10 RED F1/F2.....1 Z-34N	
8	139015GT	CABLE ASSY #2 BLK A1/A1.....1 Z-34N	
9	139034GT	CABLE ASSY #2 BLK M(-)/A2.....1 Z-34N	
10	139039GT	WIRE ASSY #10 RED F1/F2.....1 Z-34N	
11	139033GT	CABLE ASSY #2 BLK B(+)/PR1.....2 Z-34N	
12	139035GT	CABLE ASSY #4 RED PR2/LP-D1.....1 Z-34N	
13	139028GT	CABLE ASSY #4 BLK LP-D1/AP-D1.....1	

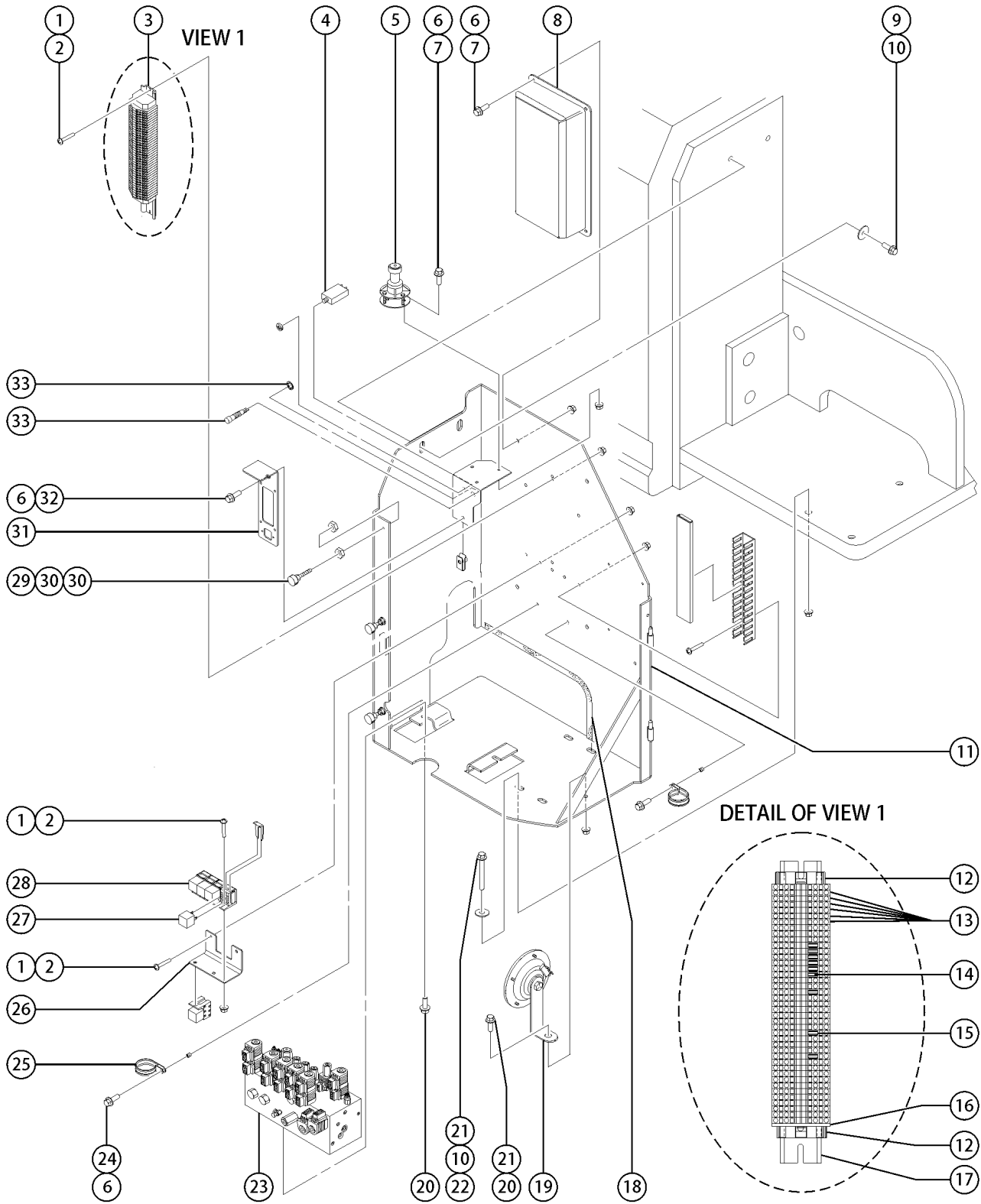
301.1 Turntable Rotator



301.1 Turntable Rotator

Item	Part No.	Description	Qty.
1	42363GT	RING,HOSE PROTECTOR.....	1
2A	94220GT	WELDMENT,SWING CHASSIS Z34.....	1
2B	94219GT	WELDMENT,SWING CHASSIS Z34N.....	1
3	824090GT	SCREW,HHF,3/8-16X1,8,ZAG.....	4
4B	74086GT	REST PAD, LOWER ARM REST..... Z-34N	2
5	31194GT	ELBOW,070302-4-2.....	1
6	110232GT	HARNES LS3 OP DRIVE ENABLE..... <i>includes limit switch, wiring and connectors</i>	1
--	119762GT	CONN PLUG 4 WAY EXTEND DT.....	1
--	60429GT	LOCK,PLUG 4 WAY,14-18GA.....	1
--	73714GT	TERM,NI SOC,S&F,16-18GA,REEL.....	4
--	88356 12103GT	SWITCH,LIMIT,W/ROLLER ARM***.....	1
7	7056GT	CONN,SQUEEZE,1/2NPT .38-.50,SM....	1
8	43960GT	WIRE CABLE,16/4 CON.TPE JKT.....	71-inches
9	22794GT	ZERK,GREASE,1/8 NPT,45DEG.....	2
10	1263141GT	SCREW,HHC,5/8-11X5.5,8,ZAG.....	8
11	13064GT	WASHER,FLAT,.625 HARDENED.....	20
12	128453GT	MOTOR,TURNTABLE,125CC***.....	1
--	84312GT	SEAL KIT,ROTATE MOTOR	
13	824102GT	SCREW,SHC,1/2-13X1.5,A574,ZAG.....	2
14	119111GT	ROTATOR TURNTABLE ASSEMBLY***.....	1
--	1284189GT	CASE COVER,ROTATOR,Z30/34 (119111) <i>for 119111</i>	
--	128565GT	SHIM KIT,TURNTABLE*** <i>for 119111</i>	
--	128618GT	SEAL KIT*** <i>for 119111</i>	
--	128619GT	ZERK,GREASE,1/8 NPT,67.5 DEG** <i>for 119111</i>	
--	128620GT	ZERK,GREASE,1/8 NPT,45 DEG*** <i>for 119111</i>	
--	128621GT	BEARING,CUP*** <i>for 119111</i>	
--	128622GT	BEARING,CONE*** <i>for 119111</i>	
--	128899GT	SHAFT,WORM GEAR*** <i>for 119111</i>	
--	139008GT	SNAP RING,INT,2.88 DIA*** <i>for 119111</i>	
15	1263142GT	SCREW,HHC,5/8-11,4.5,8,ZAG.....	12
16	824074GT	SCREW,HHC,1-8X3,8,ZAG.....	2
17	824116GT	WASHER, FLAT, F436, 1.0, ZAG.....	2

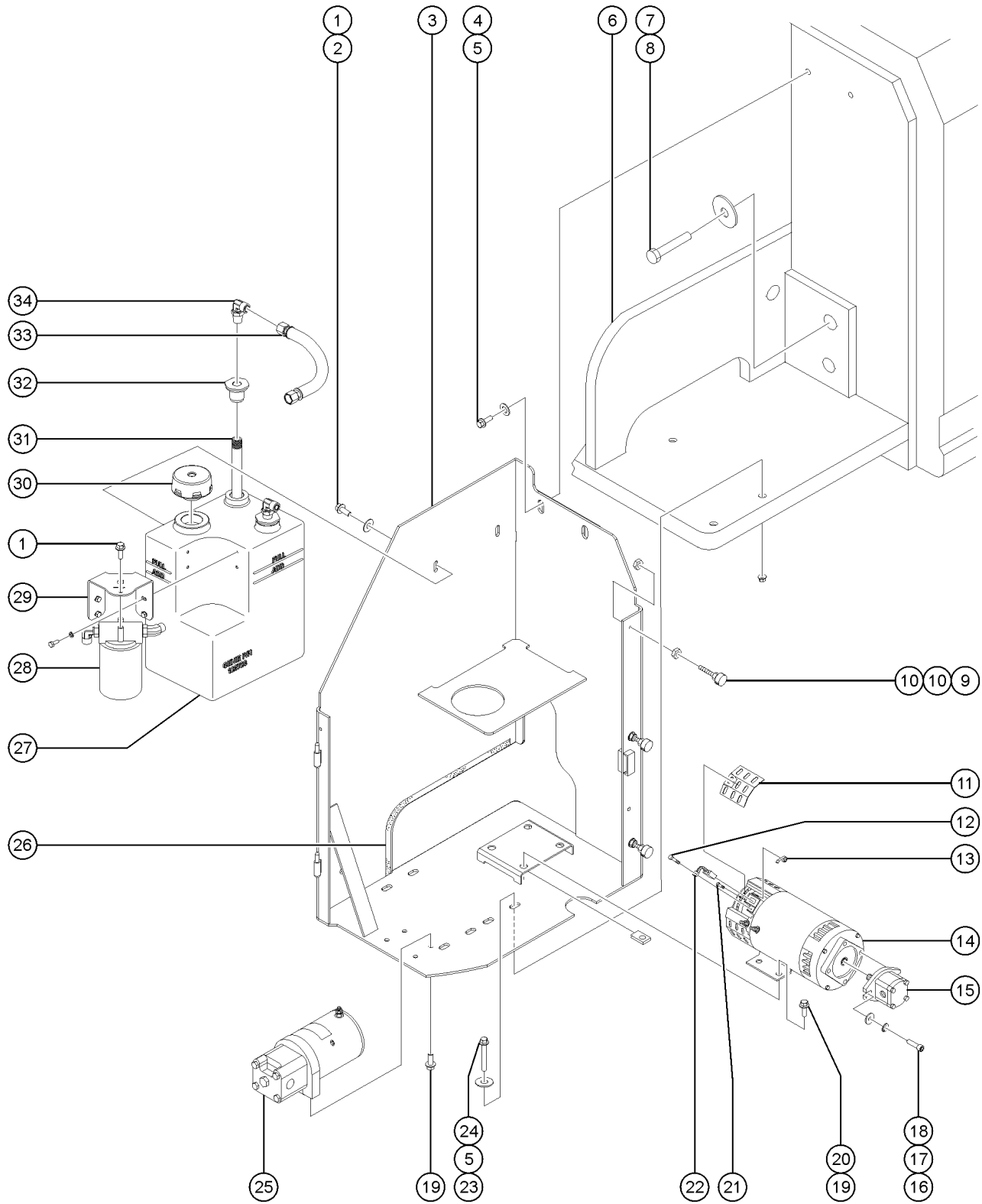
302.1 Ground Control Side



302.1 Ground Control Side

Item	Part No.	Description	Qty.	Item	Part No.	Description	Qty.
1	824215GT	SCREW,PHPM,10-32X.75,ZAG.....	9	28	34053GT	ASSY,RELAY SOCKET, AUTO	
2	824032GT	NUT,TL FLG,10-32,F,ZAG.....	9	29	36388GT	BUMPER,RUBBER,.75 X .50H,STUD....	3
3	1259574GT	TERMINAL RAIL, Z30/34DC <i>includes items 12-17</i>		30	824037GT	NUT,HH JAM,1/4-20,A,ZAG.....	6
4	147093GT	ASSY, CIRCUIT BREAKER 10A.....	1	31	119618GT	FORMING,BRACKET.....	1
5A	94077GT	SENSOR,LEVEL,4.5 DEG..... <i>Z34N/DC,ANSI models; white ring, to SN Z34D-380</i>	1	32	56912GT	SPRING CLIP,1/4-20,.025-.15X.54,ZAG	
5B	110382GT	LEVEL SENSOR,LS60,YL,2.5X4.5..... <i>Z34N/DC,ANSI models; white ring, to SN Z34D-380</i>	1	33	218164GT	LIGHT,INDICATOR,RED 24V H-BRI.....	1
5C	42439GT	SENSOR,LEVEL 3 DEG**..... <i>Z34N/DC,ANSI models; white ring, to SN Z34D-380</i>	1	--		LOCKWASHER,LT IND. OD.868/530..... <i>included with light</i>	1
5D	1261984GT	SENSOR, LEVEL, 4.5 X 4.5 DEG..... <i>Z34N/DC,ANSI models; white ring, from SN Z34D-381</i>	1				
5E	1263187GT	SENSOR, LEVEL,2.5 X 4.5 DEG..... <i>Z34N/DC,CE models; yellow ring, from SN Z34D-381</i>	1				
5F	1288895GT	SENSOR,LEVEL 3 DEG..... <i>Z34N/DC,AUS models; black ring, from SN Z34D-381</i>	1				
6	824078GT	SCREW,HHF,1/4-20X.75,8,ZAG.....	7				
7	824027GT	NUT,TL FLG,1/4-20,G,ZAG.....	5				
8	110626GT	COVER,TERMINAL STRIP, CONN.....	1				
9	824091GT	SCREW,HHF,3/8-16X1.25,8,ZAG.....	2				
10	824120GT	WASHER,FLAT,.375X1.50X.125,ZAG....	4				
11	56784GT	CVR SUPPORT WELDM'T LH.34N/34....	1				
12	74913GT	END STOP, DIN RAIL,SCREW CLAMP.....	2				
13	216791GT	TERMINAL BLOCK,WIELAND.....	26				
14	74917GT	JUMPER COMB, 2-WAY,WIELAND					
15	74918GT	JUMPER COMB, 3-WAY,WIELAND..... <i>from SN Z-34N-11787 and Z-34DC-10364</i>	1				
16	216793GT	TERMINAL BLOCK END PLATE.....	1				
17	56994GT	DIN RAIL,11.25".....	1				
18	19018GT	TRIMLOCK,BLACK,5/32".....	49.5-inches				
19	81579GT	HORN,24VDC,SPADE TERMINALS*** ..	1				
20	824090GT	SCREW,HHF,3/8-16X1,8,ZAG.....	3				
21	824029GT	NUT,TL FLG,3/8-16,G,ZAG.....	3				
22	824095GT	SCREW,HHF,3/8-16X3,8,ZAG.....	2				
23		Ref. Function Manifold <i>refer to 701.1</i>					
24	23404GT	NUTSERT,1/4-20,STEEL CAD PLTD.....	2				
25	21619GT	CLAMP,1.50,#24 X 1/4,RUB CUSH.....	2				
26	56791GT	ANGLE RELAY MOUNTING.....	1				
27	56302GT	RELAY,24VDC,40/30A,SEALED***					

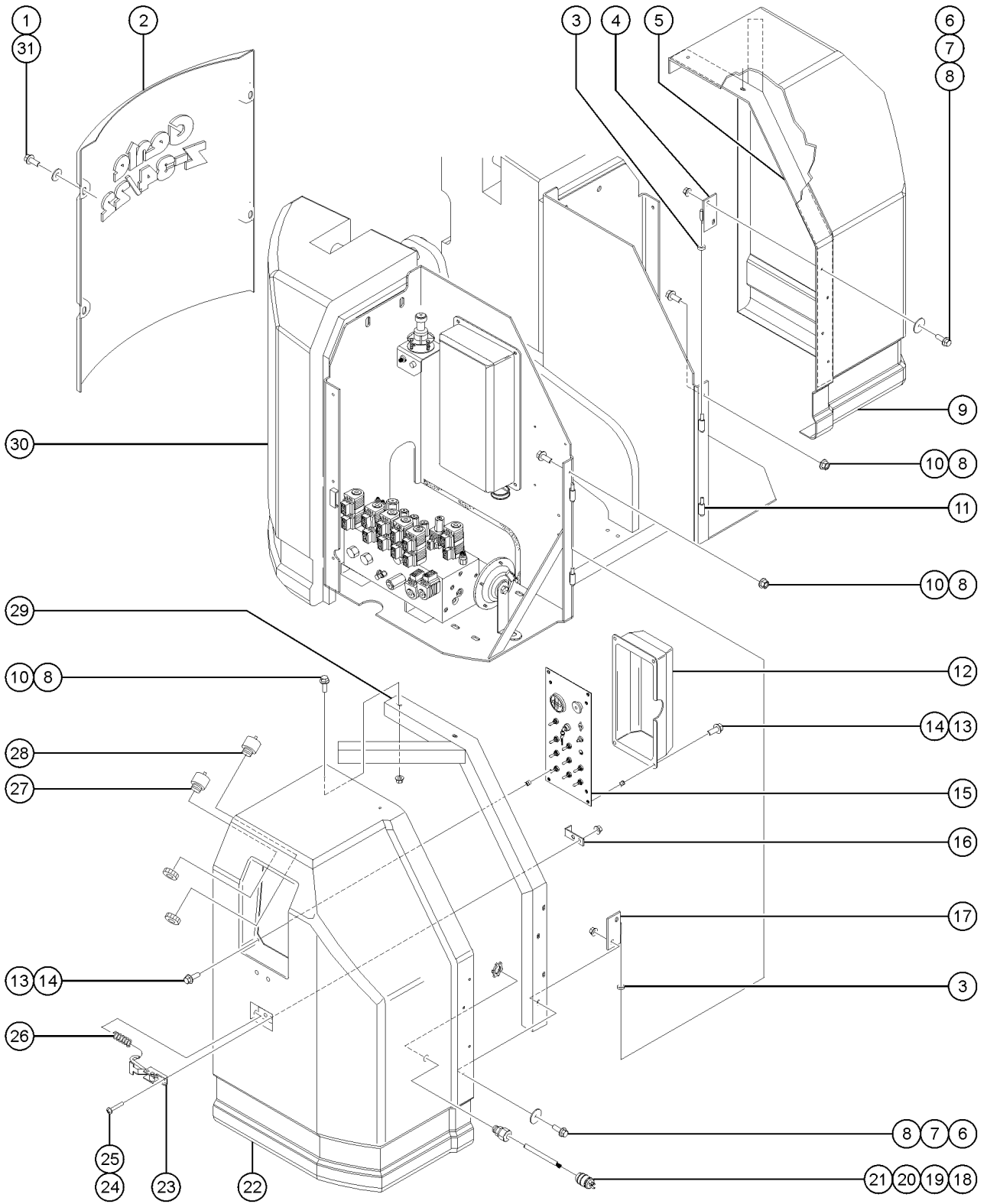
303.1 Hydraulic Tank Side



303.1 Hydraulic Tank Side

Item	Part No.	Description	Qty.	Item	Part No.	Description	Qty.
1	824077GT	SCREW, HHF, 1/4-20 X .5, 8, ZAG.....	8	30	42019GT	TANK BREATHER,NYLON **.....	1
2	824119GT	WASHER,FLAT,.25X1.25X.062,ZAG.....	2	31	128818GT	TUBE, HYDRAULIC TANK.....	2
3	94427GT	WELDMENT,CVR SUPPORT RH***.....	1	32	39223GT	BULKHEAD FITTING,PLASTIC X 8**.....	2
4	824091GT	SCREW,HHF,3/8-16X1.25,8,ZAG.....	2	33	128809GT	HOSE ASSY,1/2",12.38".....	1
5	824120GT	WASHER,FLAT,.375X1.50X.125,ZAG.....	4	34	1267575GT	ELBOW,90D,520102-8-8.....	2
6A	94220GT	WELDMENT,SWING CHASSIS Z34.....	1				
6B	94219GT	WELDMENT,SWING CHASSIS Z34N.....	1				
7	824074GT	SCREW,HHC,1-8X3,8,ZAG.....	2				
8	824116GT	WASHER, FLAT, F436, 1.0, ZAG.....	2				
9	36388GT	BUMPER,RUBBER,.75 X .50H,STUD.....	3				
10	824037GT	NUT,HH JAM,1/4-20,A,ZAG.....	6				
11	58936GT	BRUSH COVER -PLATE-(48504)*.....	1				
12	52913GT	SCREW,HH TAPETITE THRD8-32X.50.....	1				
13	58933GT	BRUSH SPRING SET.....	1				
14	48504GT	MOTOR,FUNCTION,48V DC.....	1				
--	44777GT	BEARING,MOTOR					
--	44778GT	BEARING,MOTOR,36843,BRUSH END*					
--	49812GT	ENCLOSING BAND KIT <i>for EE units only</i>					
--	58934GT	BRUSH BOX ASSEMBLY					
15	77981GT	PUMP,LIFT,3CC,CCW***.....	1				
--	77990GT	KIT,SEAL,3CC PUMP***					
16	824100GT	SCREW,SHC,3/8-24X1.25,A574,ZAG.....	2				
17	824110GT	WASHER,LOCK,3/8,ZAG.....	2				
18	825358GT	WASHER,FLAT,5/16,USS,ZAG.....	2				
19	824085GT	SCREW,HHF,5/16-18X.75,8,ZAG.....	6				
20	36456GT	SPRING CLIP,5/16-18,.025-.15X.....	4				
21	52914GT	SCREW,HHTAPTITE THREAD8-32X.38					
22	58932GT	BRUSH SET 4 EA					
23	824095GT	SCREW,HHF,3/8-16X3,8,ZAG.....	2				
24	824029GT	NUT,TL FLG,3/8-16,G,ZAG.....	2				
25	36179GT	POWER UNIT,AUX PUMP 24VDC.....	1				
--	37184GT	MOTOR, 24V (36179)					
--	37185GT	PUMP ASSEMBLY (36179)					
--	37186GT	VALVE,CHECK (36179)					
--	37187GT	SEAL KIT, 37185 PUMP					
--	37191GT	GASKET, PUMP / MOTOR (36179)					
--	37192GT	COUPLER, PUMP / MOTOR (36179)					
26	19018GT	TRIMLOCK,BLACK,5/32".....	49.5-inches				
27	128728GT	HYDRAULIC TANK,Z30N.....	1				
28	78622GT	FILTER ASSY,SAE8,10 MIC,PAPR**.....	1				
--	44788GT	FILTER ELEMENT,10MICRON,PAPER*					
29	128808GT	BRACKET, RETURN FILTER.....	1				

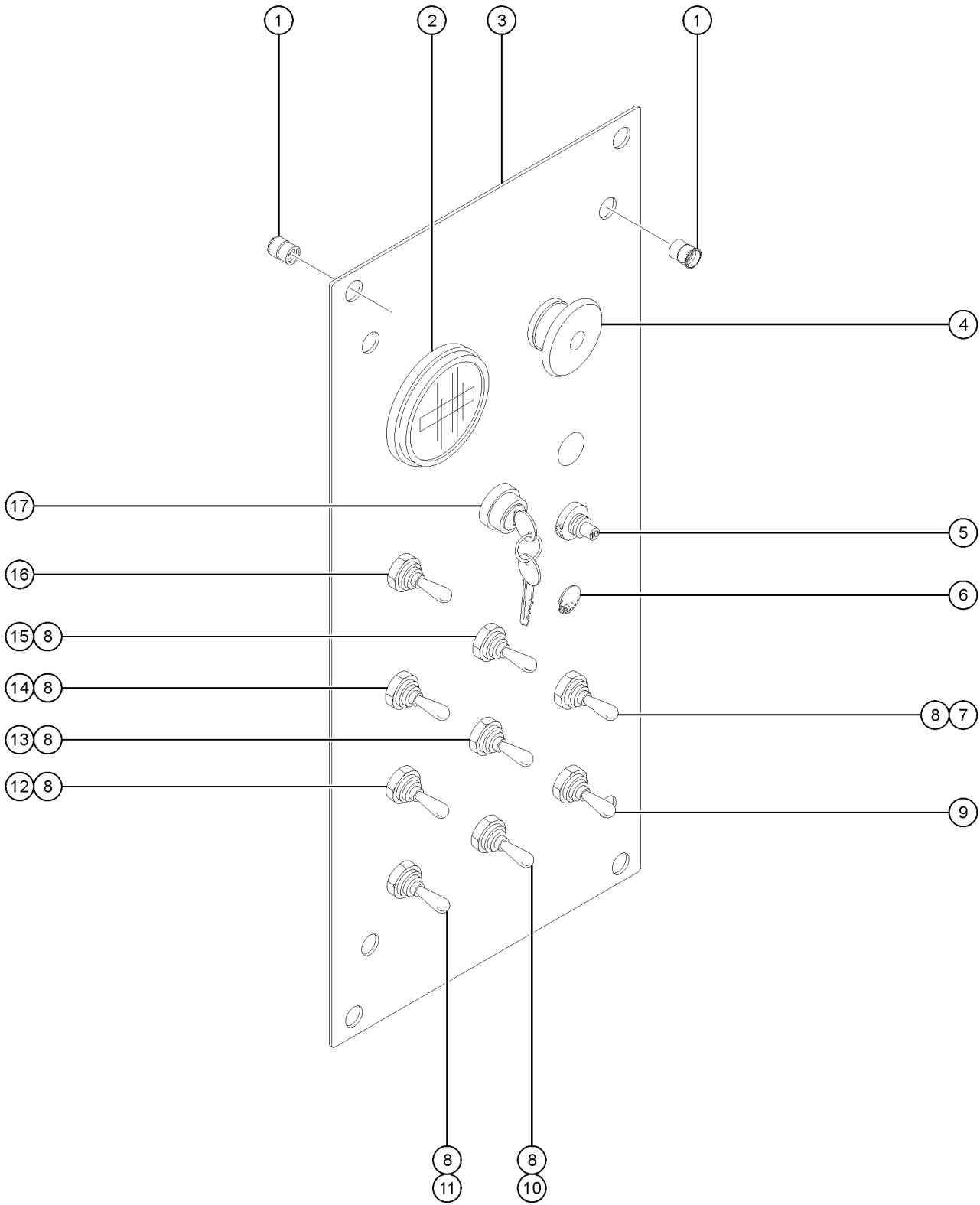
304.1 Turntable Covers



304.1 Turntable Covers

Item	Part No.	Description	Qty.	Item	Part No.	Description	Qty.
1	824089GT	SCREW,HHF,3/8-16X.75,8,ZAG.....	4	--	72326GT	NUT - PLASTIC,RING FOR ALARMS	
2	139290GT	COVER,COUNTERWEIGHT,Z34.....	1	29	36924PGT	WELD,COVER BRACE,LH HINGE,PNTD.....	1
3	36457GT	WASHER,THRUST,.313 X .50 X .10.....	10	30A	36449GT	COUNTERWEIGHT,CAST,3700 LBS.....	1
4	36414GT	HINGE,WELD.,COVER,PUMP GRY/BLU.....	4	31	1255758GT	WASHER,FLAT,3/8,USS,ZAG.....	4
5	36923PGT	WELD,COVER BRACE,RH HINGE,PNTD.....	1				
6	824079GT	SCREW,HHF,1/4-20X1,8,ZAG.....	8				
7	824119GT	WASHER,FLAT,.25X1.25X.062,ZAG.....	8				
8	824027GT	NUT,TL FLG,1/4-20,G,ZAG.....	12				
9A	62502GT	COVER ASSY W/DECALS HPU**.....	1				
		<i>ANSI; includes items 16, 23-26</i>					
9B	106217GT	COVER ASSY,W/SYM DEC,HPU,34DC*.....	1				
		<i>CE; includes items 16, 23-26</i>					
10	824078GT	SCREW,HHF,1/4-20X.75,8,ZAG.....	4				
11	36421GT	HINGE,WELD ON,MALE.....	4				
12	36257GT	COVER,CONTROL PANEL.....	1				
13	824077GT	SCREW,HHF,1/4-20 X .5, 8, ZAG.....	8				
14	23404GT	NUTSERT,1/4-20,STEEL CAD PLTD.....	8				
15		Ref. Ground Control Panel <i>refer to 308.1</i>					
16	36570GT	BRACKET,COVER LATCH.....	1				
17	36415GT	HINGE,WELD,COVER,CTRLS GRY/BLU.....	1				
18A	119403GT	CONN,PLUG 120 AC/15A DOMESTIC...1					
18B	144161GT	PLUG,PWR,UK,16AMP,3PIN,BLK.....	1				
18C	25388GT	PLUG,FUSED,250V,13AMP,U.K.**.....	1				
19	43956GT	WIRE CABLE,14/3 CON.TPE JKT*					
20	7056GT	CONN,SQUEEZE,1/2NPT .38-.50,SM...1					
21	6935GT	LOCKNUT,ELEC,1/2".....	1				
22A	106215GT	CVR ASSY.W/WORD DEC,GC,34N/DC*.....	1				
		<i>ANSI; includes items 16, 23-26</i>					
22B	106216GT	COVER ASSY,W/SYM DEC,GC,34DC**.....	1				
		<i>CE; includes items 16, 23-26</i>					
23	36575GT	LATCH,ADJUSTABLE DRAW.....	1				
24	824215GT	SCREW,PHPM,10-32X.75,ZAG.....	2				
25	824032GT	NUT,TL FLG,10-32,F,ZAG.....	2				
26	36574GT	SPRING,EXTENSION,.36 X 1.25.....	1				
27	45462GT	ALARM,CHIME TONE 5-25VDC***.....	1				
		<i>descent alarm, plastic nut not included</i>					
--	45385GT	PLUG,NYLON 1.12 BLACK DOMED					
--	72326GT	NUT - PLASTIC,RING FOR ALARMS					
28	18963GT	ALARM,INTERMITTENT TONE 6-30V*...1					
		<i>plastic nut not included</i>					

305.1 Ground Control Panel



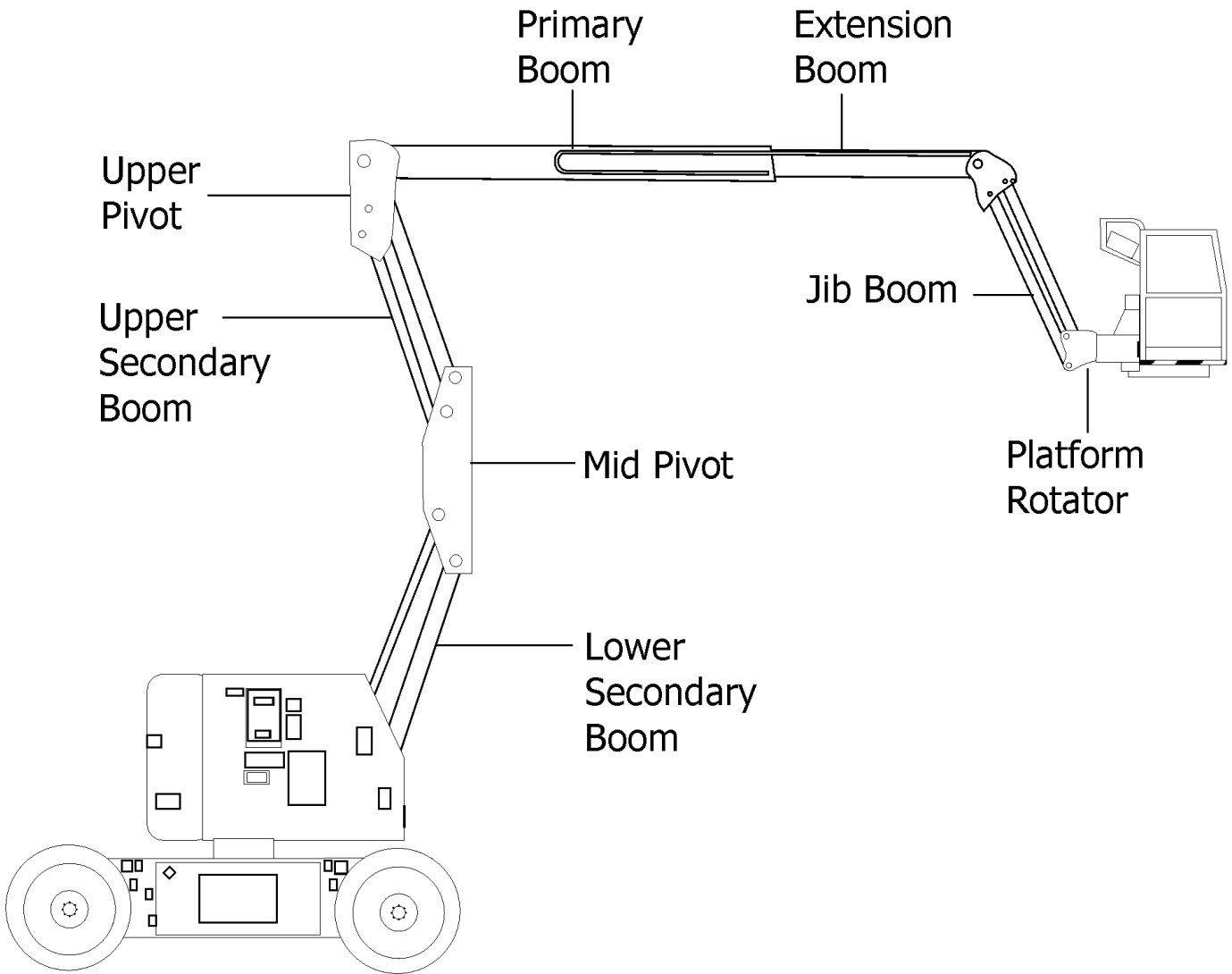
305.1 Ground Control Panel

Item	Part No.	Description	Qty.	Item	Part No.	Description	Qty.
--	45782GT	DIODE,6 AMP,200 PIV,BULK		--	85239GT	NUT,RETAINER (96008)	
--	37947GT	KEYS,10 PACK*** <i>includes PN 21982</i>		--	88827GT	GASKET,KEYSWITCH,PLASTIC***	
1	23404GT	NUTSERT,1/4-20,STEEL CAD PLTD.....8					
2	19506GT	HOUR METER,10-80 VOLTS***.....1					
3	101965GT	GROUND CONTROL PANEL ASSY <i>includes item 1</i>					
--	94512GT	PANEL,GROUND CONTROL BOX***					
4	66812GT	BUTTON,PUSH,RED MUSHROOM HEAD.....1					
--	66817GT	BASE WITH 1 NC CONTACT, E-STOP					
--	66818GT	CONTACT, N.C.					
--	66821GT	BASE,WITHOUT CONTACTS					
5	147093GT	ASSY, CIRCUIT BREAKER 10A.....1					
6	229567GT	PLUG,SANTOPRENE .5 BLACK DOME.....1					
7	128202GT	SWITCH TOGGLE ASSY DPDT 3P MOM.....1 <i>jib boom up/down</i>					
8	19268GT	DIODE ASSEMBLY.....7					
9	128200GT	SWITCH TOGGLE ASSY SPDT 3P MOM.....1 <i>function enable switch</i>					
10	128202GT	SWITCH TOGGLE ASSY DPDT 3P MOM.....1 <i>secondary boom up/down</i>					
11	128202GT	SWITCH TOGGLE ASSY DPDT 3P MOM.....1 <i>turntable rotate</i>					
12	128202GT	SWITCH TOGGLE ASSY DPDT 3P MOM.....1 <i>platform rotate</i>					
13	128202GT	SWITCH TOGGLE ASSY DPDT 3P MOM.....1 <i>primary boom up/down</i>					
14	128202GT	SWITCH TOGGLE ASSY DPDT 3P MOM.....1 <i>platform level</i>					
15	128202GT	SWITCH TOGGLE ASSY DPDT 3P MOM.....1 <i>primary boom extend/retract</i>					
16	128203GT	SWITCH TOGGLE ASSY SPDT 2P MOM.....1 <i>aux. power switch; refer to 602.1 for CE switch covers</i>					
17	96008-SGT	KEYSWITCH,3 POS. W/KEYS***.....1					
--	21982GT	KEY,SINGLE***.....1 <i>without rubber boot</i>					
--	824218GT	SCREW,PHPM SEMS ET,8-32X.25,ZA					
--	83093GT	KEY SINGLE*** <i>with rubber boot</i>					

306.1 Wire Harness Diagram

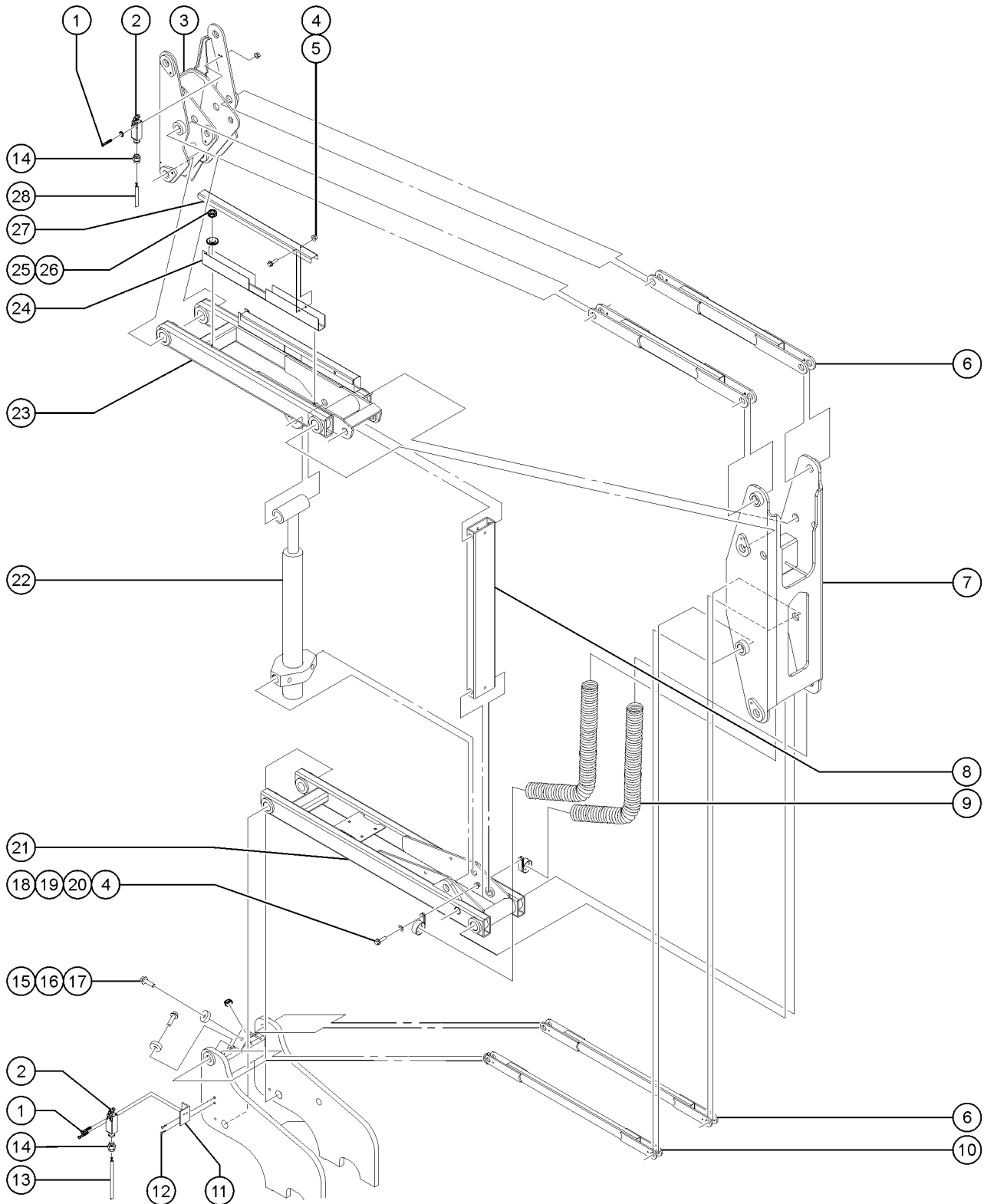
Item	Part No.	Description	Qty.
B	1264822GT	KIT, TRC RETROFIT, STNDRD <i>Telematics (includes 1264834)</i>	
--	1264834GT	INSTRN, TRC RETROFIT, STNDRD	
--	88832GT	HARNESS, PLUG, NON-LOAD WEIGHING	
1	110242GT	HARNESS, GBOX WIRE JUMPER.....1	
2	237503GT	HARNESS, PLAT BOX, Z30/34DC	
3	110240GT	HARNESS CABLE1 18/19 COND.....1 <i>green & brown connectors</i>	
4	110233GT	HARNESS CABLE2 12/3 COND.....1	
5	110236GT	HARNESS CABLE3 18/19 COND.....1 <i>gray & black connectors</i>	
6	110249GT	HARNESS, FUNC. MAN., Z30/34DC.....1	
7	822704GT	HARNESS, DRIVE CHASSIS, DC.....1	
8	110244GT	HARNESS LS1 OP EXT/RET.....1	
9	110245GT	HARNESS LS2 OP PRIMARY.....1	
10	110232GT	HARNESS LS3 OP DRIVE ENABLE.....1	
11	110246GT	HARNESS LS4 OP SECONDARY.....1	
12	139584GT	HARNESS, JIB MANIFOLD, NON RJ.....1	
13	227620GT	ASSEMBLY, FOOT SWITCH.....1	
14	43956GT	WIRE CABLE, 14/3 CON. TPE JKT*600-inches	
15A	147389GT	HARNESS, LOAD SENSE, Z30/34DC....1 <i>CE models</i>	
15B	218602GT	HARNESS, LOAD SENSE RECOVERY...1 <i>AUS models</i>	
16	1261845GT	HARNESS, TILT 24V, CSA PROD.....1	
17	1278450GT	HARNESS, CONTACT ALARM, Z30/34DC <i>models with Lift Guard Contact Alarm Option</i>	
18	1278119GT	ASSEMBLY, SENSOR, PROX, CONTACT ALARM	
19	1278111GT	ASSEMBLY, LIGHT, CONTACT ALARM	

500.1 Boom Layout



Item	Part No.	Description	Qty.
1		Extension Boom <i>refer to 504.1</i>	
2		Jib Boom <i>refer to 506.1</i>	
3		Lower Secondary Boom <i>refer to 501.1 and 502.1</i>	
4		Mid Pivot <i>refer to 501.1 and 502.1</i>	
5		Platform Rotator <i>refer to 506.1</i>	
6		Primary Boom <i>refer to 504.1</i>	
7		Upper Pivot <i>refer to 501.1, 502.1 and 503.1</i>	
8		Upper Secondary Boom <i>refer to 501.1 and 502.1</i>	

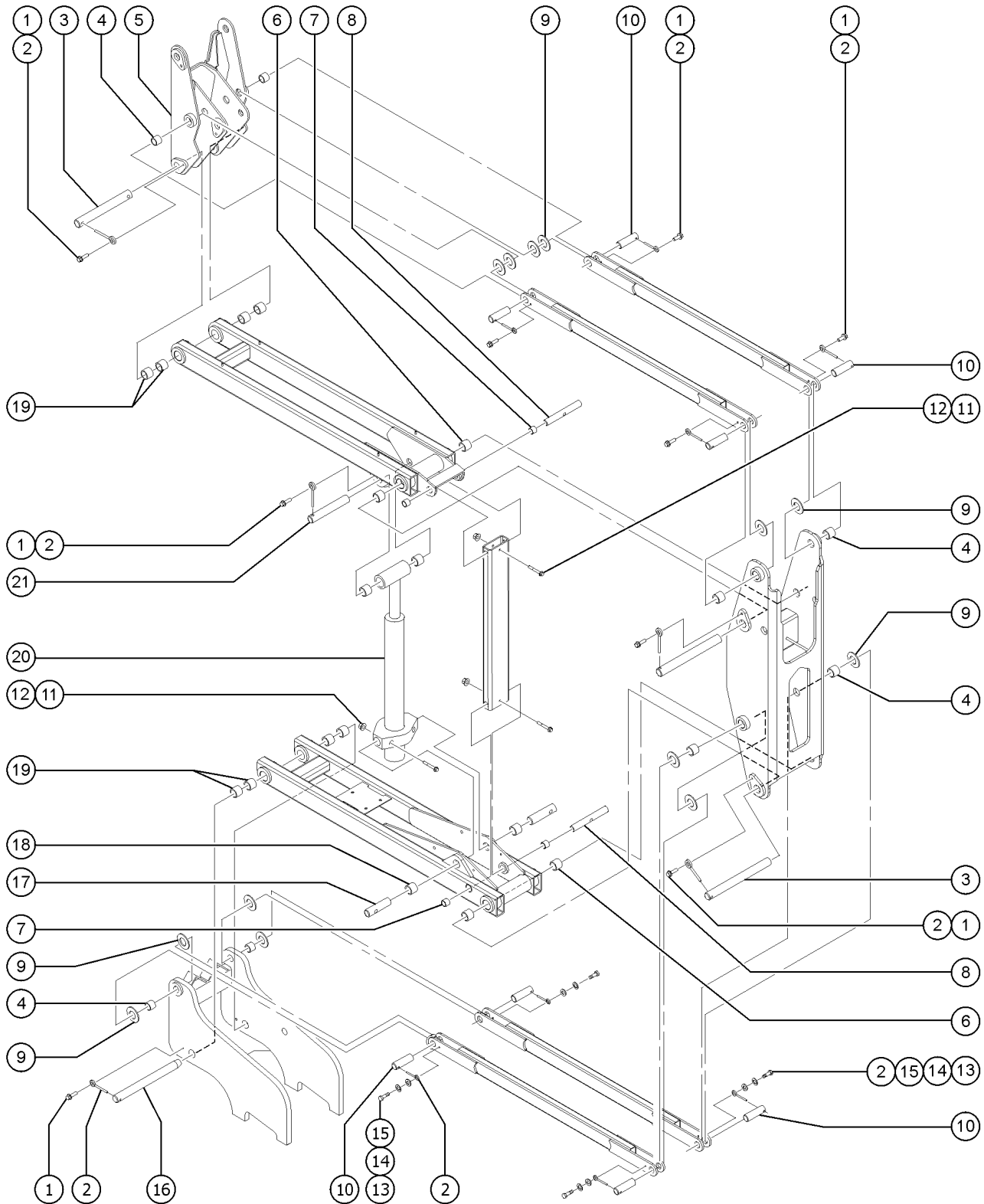
501.1 Secondary Boom, View 1



501.1 Secondary Boom, View 1

Item	Part No.	Description	Qty.	Item	Part No.	Description	Qty.
1A	824219GT	SCREW, PHPM SEMS ET, 8-32 X 1.25, ZAG.....2 to SN Z3416F-10742, Z34N16F-12569	2	26	824040GT	NUT, ACORN, 3/8-16, ZAG.....4	4
1B	1257390GT	WASHER, FLAT, #8, SAE, ZAG.....2 from SN Z3416F-10743, Z34N16F-12570	2	27	42613-SGT	HOSE TRACK COVER, UPPER ARM-SERV.....2	2
1C	1261606GT	SCREW, PHPM, 8-32X1.75, ZAG.....2 from SN Z3416F-10743, Z34N16F-12570	2	28	56051GT	WIRE CABLE, 16/2, WHT/BLK, SJEOW.38-inches	
1D	1255803GT	NUT, TL FLG, 8-32, F, ZAG from SN Z3416F-10743, Z34N16F-12570					
2	88356-116R3GT	SWITCH, LIMIT, W/ROLLER ARM***.....2	2				
--	106427GT	LS ROT.HEAD W/O LEVER (ZCE01)					
--	97128GT	ROLLER ARM, LIMIT SWITCH***					
3		Ref. UPPER MIDPIVOT ASSY, Z34 & Z34N.....1 refer to 502.1	1				
4	824027GT	NUT, TL FLG, 1/4-20, G, ZAG.....4	4				
5	824084GT	SCREW, HHF, 1/4-20X3, 8, ZAG.....2	2				
6	74946GT	COMPRESSION ARM WELDMENT 56.50.....3	3				
7	40446GT	LOWER MIDPIVOT ASSY, Z34 & Z34N*.....1 refer to 502.1	1				
8	74232GT	CONNECTING LINK Z30N & Z34***.....1	1				
9	42939GT	WIRE LOOM, 1.88 DIA.....65-inches					
10	128635GT	WELDMENT, LWR COMPRESION ARM.....1	1				
11	42413GT	ANGLE, SWITCH MOUNT***.....1	1				
12	824078GT	SCREW, HHF, 1/4-20X.75, 8, ZAG.....2	2				
13	43960GT	WIRE CABLE, 16/4 CON.TPE JKT.....220-inches					
14	7056GT	CONN, SQUEEZE, 1/2NPT .38-.50, SM...2	2				
15	824091GT	SCREW, HHF, 3/8-16X1.25, 8, ZAG.....2	2				
16	74085GT	REST PAD, UPPER PIVOT Z30N.....2	2				
17	824029GT	NUT, TL FLG, 3/8-16, G, ZAG.....2	2				
18	824079GT	SCREW, HHF, 1/4-20X1, 8, ZAG.....2	2				
19	824113GT	WASHER, FLAT, USS, 1/4, ZAG.....2	2				
20	1288080GT	CLAMP, RUBBER CUSHIONED-2 5/32...2	2				
21	40449GT	LOWER SECONDARY ARM ASSY, Z34.....1	1				
22	94210GT	CYLINDER, ELEVATE, Z34.....1	1				
--	31106GT	VALVE, CNTERBAL, CBBB-LHN@3000**					
--	47377GT	BEARING, 1.25 ID X 1.5 OD X .75.....2	2				
--	94253GT	SEAL KIT, 94210					
23	74379GT	UPPER SECONDARY ARM ASSY, Z34.....1	1				
24	42612-SGT	HOSE TRACK, UPPER ARM-SERV.....2	2				
25	824029GT	NUT, TL FLG, 3/8-16, G, ZAG.....4	4				

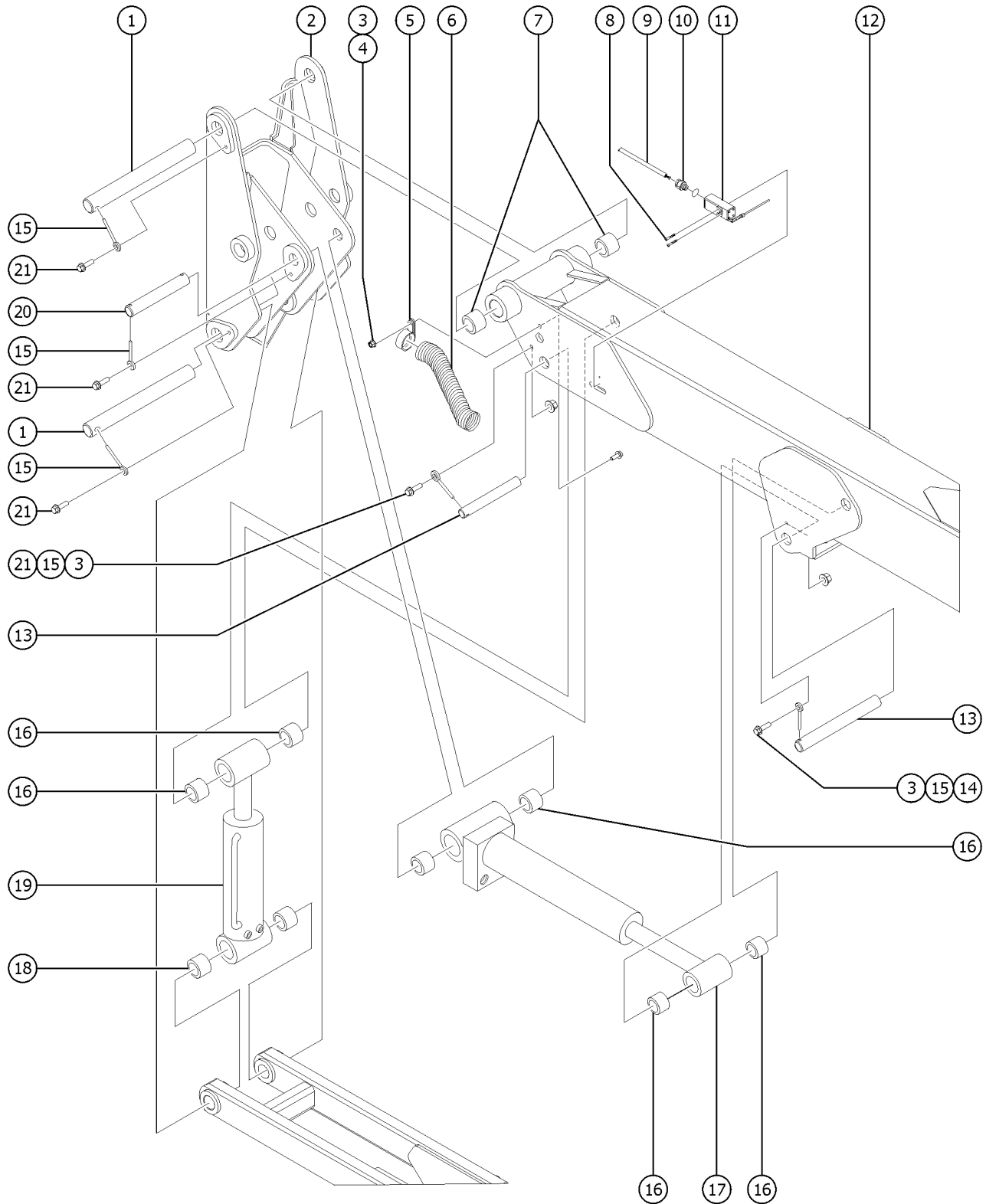
502.1 Secondary Boom, View 2



502.1 Secondary Boom, View 2

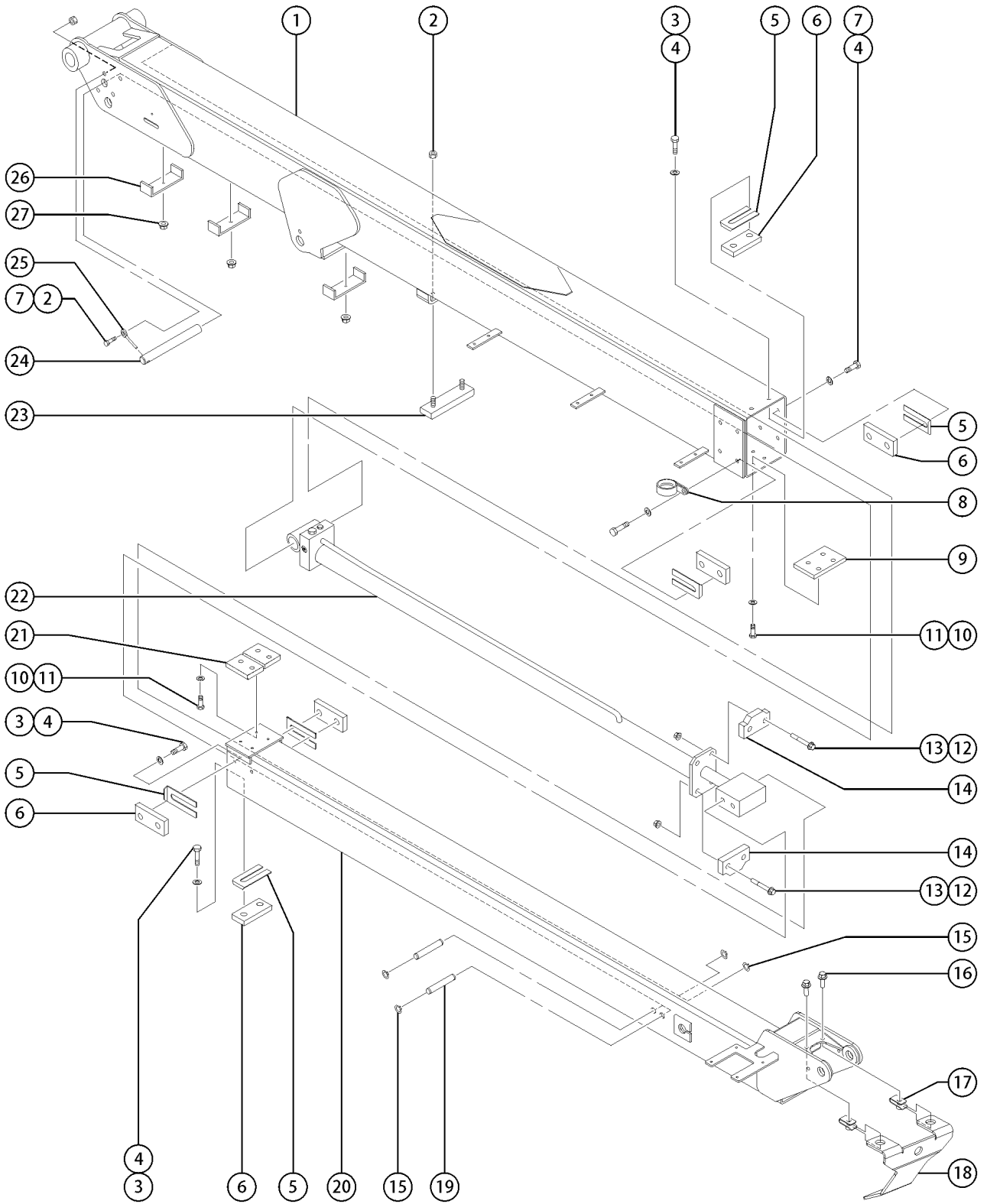
Item	Part No.	Description	Qty.
1	824091GT	SCREW,HHF,3/8-16X1.25,8,ZAG.....	8
2	825019GT	ROD END,.375X3.69,ZAG.....	12
3	36194GT	PIN,1.50DIAX15.13LG,1HOLE.....	3
4	34245GT	BEARING,1.25IDX1.50X1.25L.....	8
5	40447GT	UPPER MIDPIVOT ASSY,Z34 & Z34N.... <i>includes item 4</i>	1
6	45071GT	BEARING,1.5IDX1.75ODX1.5L.....	4
7	36245GT	BEARING,FL,1.00IDX1.25ODX0.84L....	4
8	36202GT	PIN,1.00DIAX7.25LG,1HOLE.....	2
9	824151GT	WASHER,SHIM,1.270X2.130X.062,Z...	12
10	36390GT	PIN,1.25DIAX3.63LG,THREADED.....	8
11	824094GT	SCREW,HHF,3/8-16X2.75,8,ZAG.....	4
12	824029GT	NUT,TL FLG,3/8-16,G,ZAG.....	4
13	824067GT	SCREW,HHC,3/8-16X1,8,ZAG.....	4
14	824110GT	WASHER,LOCK,3/8,ZAG.....	4
15	825358GT	WASHER,FLAT,5/16,USS,ZAG.....	4
16	36389GT	PIN,1.50DIAX16.13LG,1HOLE.....	1
17	36205GT	PIN,1.25DIAX3.00LG,THREADED.....	2
18	36246GT	BEARING,FL,1.25IDX1.50ODX1.09L....	2
19	18396GT	BEARING,1.5IDX1.75ODX1.0L.....	8
20		Ref. CYLINDER,ELEVATE, Z34 <i>refer to 501.1</i>	
21	36200GT	PIN,1.25DIAX9.38LG,1HOLE.....	1

503.1 Upper Pivot



Item	Part No.	Description	Qty.
1	36194GT	PIN,1.50DIAX15.13LG,1HOLE.....	2
2	40447GT	UPPER MIDPIVOT ASSY,Z34 & Z34N....	1
--	34245GT	BEARING,1.25IDX1.50X1.25L	
3	824029GT	NUT,TL FLG,3/8-16,G,ZAG.....	3
4	1264315GT	BOLT,HEX TAP,3/8-16X2.25,8,ZAG.....	1
5	1288080GT	CLAMP,RUBBER CUSHIONED-2 5/32....	1
6	42939GT	WIRE LOOM,1.88 DIA.....	1
--	28443GT	CABLE TIE,11.5" BLACK	
7	45071GT	BEARING,1.5IDX1.75ODX1.5L.....	2
8	824219GT	SCREW, PHPM SEMS ET, 8-32 X 1.25, ZAG.....	2
9	44133GT	WIRE CABLE,16/4 CON.TPE JKT*.....	.264-inches
10	7056GT	CONN,SQUEEZE,1/2NPT .38-.50,SM....	1
11	88356 127.5GT	SWITCH,LIMIT,W/6.25"SPRING ARM.....	1
--	106433GT	LS SPRING WAND (ZCY91)	
12		Ref. Primary Boom Tube Assembly <i>refer to 504.1</i>	
13	74091GT	PIN,1.25DIAX9.13LG,1HOLE.....	2
14	824093GT	SCREW,HHF,3/8-16X1.75,8,ZAG.....	1
15	825019GT	ROD END,.375X3.69,ZAG.....	5
16	47377GT	BEARING,1.25 ID X 1.5 OD X .75.....	6
17	94215GT	CYLINDER,PRIMARY LIFT.....	1
		<i>includes 16</i>	
--	43937GT	VALVE,CB.CBBC-LHN@3200***.....	2
--	94258GT	SEAL KIT, 94215, 94430.....	1
18	88280GT	BEARING,1.5IDX1.75ODX0.75L.....	2
19	94216GT	CYLINDER,MASTER.....	1
		<i>includes 16 and 18</i>	
--	94259GT	SEAL KIT, 94216.....	1
20	36198GT	PIN,1.25DIAX8.12LG,1HOLE.....	1
21	824092GT	SCREW,HHF,3/8-16X1.5,8,ZAG.....	4

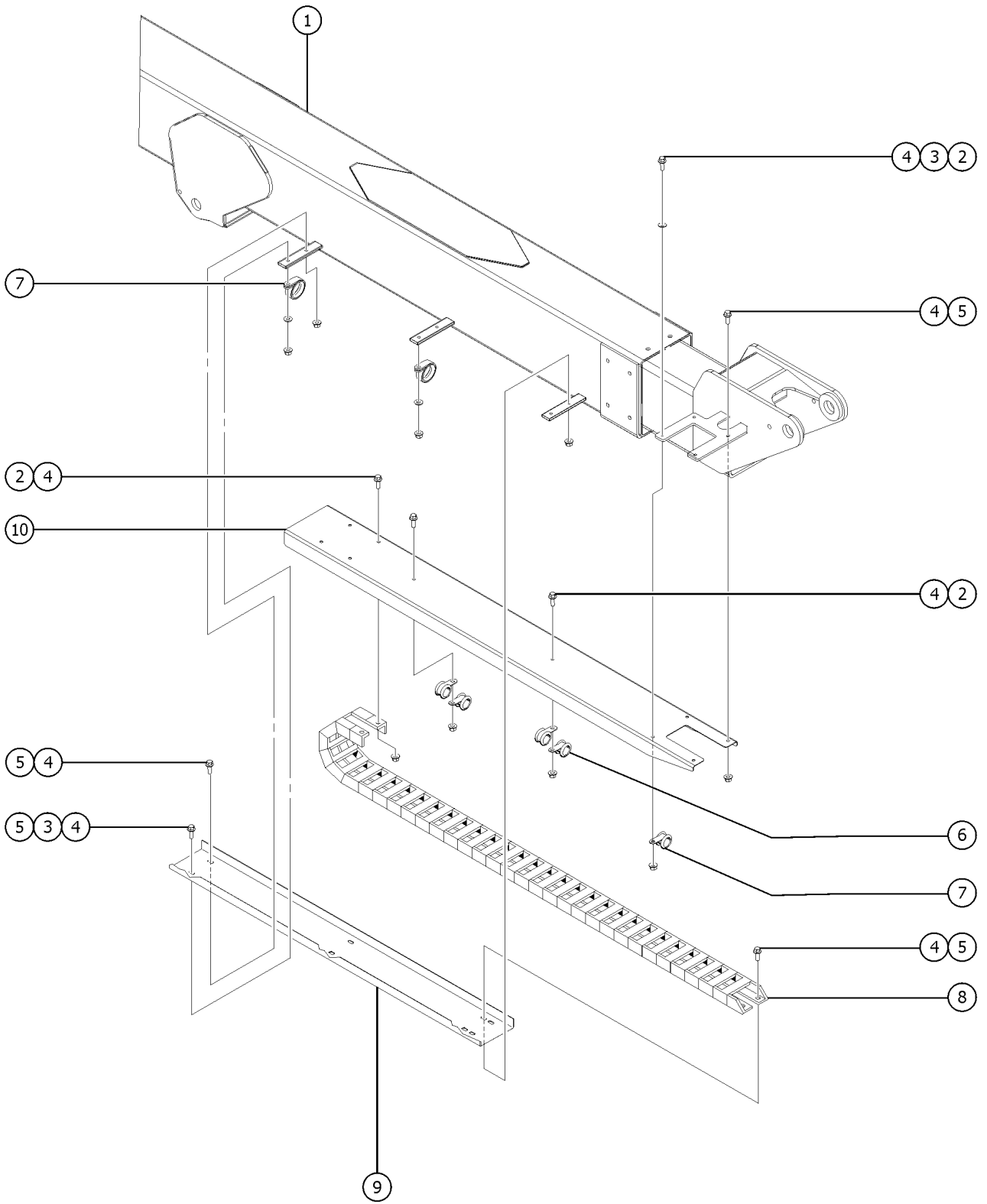
504.1 Primary and Extension Booms



504.1 Primary and Extension Booms

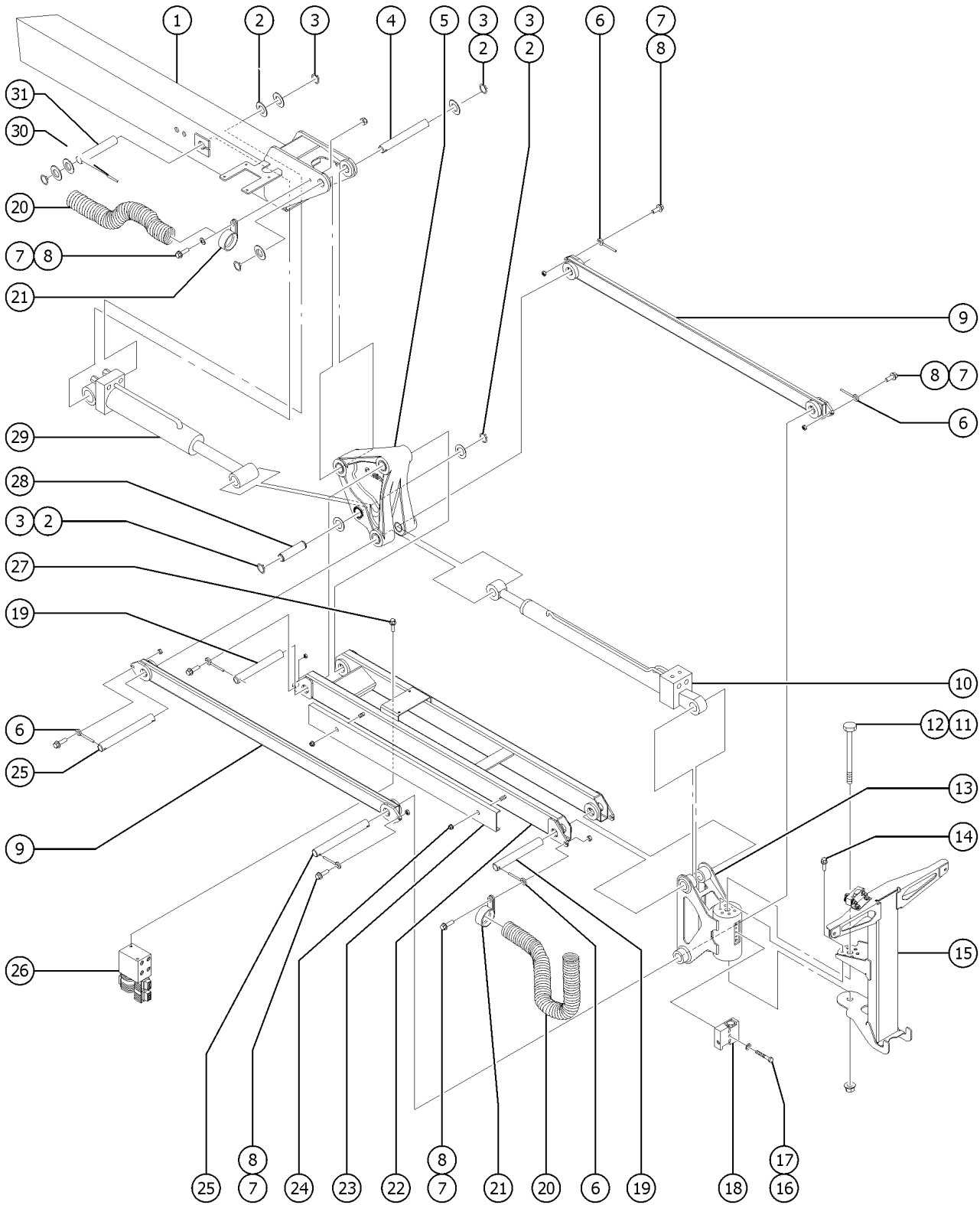
Item	Part No.	Description	Qty.
1	77728GT	PRIMARY BOOM TUBE ASSY Z34IC**	1
--	45071GT	BEARING,1.5IDX1.75ODX1.5L.....	2
2	824038GT	NUT, TL JAM, 3/8-16, A, ZAG.....	3
3	826791GT	SCREW,HHC,3/8-16X.875,8,ZAG	
4	824110GT	WASHER,LOCK,3/8,ZAG	
5	42502GT	SHIM,SIDE PAD 22GA (quantity as needed)	
--	29080GT	SHIM,WEAR PAD,5X 1.5 16GA	
6	1262353GT	WEAR PAD,5 X 1.5 X .75 W/NUTS.....	6
7	824067GT	SCREW,HHC,3/8-16X1,8,ZAG	
8	1288080GT	CLAMP,RUBBER CUSHIONED-2 5/32....	1
9	1262354GT	WEAR PAD,4 X 4 X .75 W/NUTS.....	1
10	1262432GT	SCREW,HHC,1/4-20X.875,8,ZAG.....	8
11	824109GT	WASHER,LOCK,1/4,ZAG.....	8
12	824082GT	SCREW,HHF,1/4-20X1.75,8,ZAG.....	4
13	824029GT	NUT,TL FLG,3/8-16,G,ZAG.....	5
14	74066GT	WEAR PAD,EXT CYL***	2
15	824163GT	SNAP RING,EXTERNAL,3/4,ZAG.....	4
16	824079GT	SCREW,HHF,1/4-20X1,8,ZAG.....	2
17	56912GT	SPRING CLIP,1/4-20,.025-.15X.54,ZAG.....	2
18	147079GT	BRACKET, HOSE ROUTING.....	1
--	56361GT	CABLE TIE,BUTTON,BLACK,14.75LG	
19	36192GT	PIN,0.75DIAX5.51LG,2RING.....	2
20	147638GT	ASSY, EXT BOOM, Z34.....	1
--	35675GT	BEARING,FL,1.25IDX1.5ODX1.25L.....	2
21	1262355GT	WEAR PAD,4 X 2 X.45 W/NUTS.....	2
22	94212GT	CYLINDER,EXTENSION.....	1
--	36648GT	VALVE,COUNTERBALANCE 2500 PSI* top	
--	74508GT	VALVE,CHECK,COBA-X*N 200PSI PO bottom	
--	74509GT	VALVE,CHECK,CXAD-XCN,30PSI side	
--	94255GT	SEAL KIT,94212	
23A	56849GT	PAD,REST,1"THICK,W/STUDS*	1
23B	56934GT	PAD,REST,1"THICK,FLANGED CE models	
24	101557GT	PIN,1.00DIAX9.01LG,THREADED.....	1
25	825019GT	ROD END,.375X3.69,ZAG.....	1
26	54530GT	CLAMP,HOSE,ALUMINUM.....	4
27A	824029GT	NUT,TL FLG,3/8-16,G,ZAG..... to SN 14180	3
27B	1274322GT	NUT,NYLOCK FLG,3/8-16,F,ZAG from SN 14181	

505.1 Cable Track



Item	Part No.	Description	Qty.
1		Ref. Primary and Extension Booms <i>refer to 504.1</i>	
2	824079GT	SCREW,HHF,1/4-20X1,8,ZAG.....6	
3	824113GT	WASHER,FLAT,USS,1/4,ZAG.....3	
4	824027GT	NUT,TL FLG,1/4-20,G,ZAG.....14	
5	824078GT	SCREW,HHF,1/4-20X.75,8,ZAG.....8	
6	6833GT	CLAMP,0.50,#8 X 1/4,RUB CUSH.....4	
7	1288080GT	CLAMP,RUBBER CUSHIONED-2 5/32....3	
8	139537GT	CABLE TRACK,NYLATRAC,26 LINK.....1	
--	139540GT	REPAIR LINK,NYLATRAC,7 LINKS	
--	139541GT	BRACKET SET,NYLATRAC,KS400	
--	139542GT	LINK,NYLATRAC,KS400	
9	56983PGT	CHANNEL,LWR TRAY PLASTIC TK **....1	
--	27258GT	TRIM,RUBBER EDGE,5/8 (BY INCH)	
10	74119PGT	CHANNEL, CABLE TRACK, UPPER.....1	

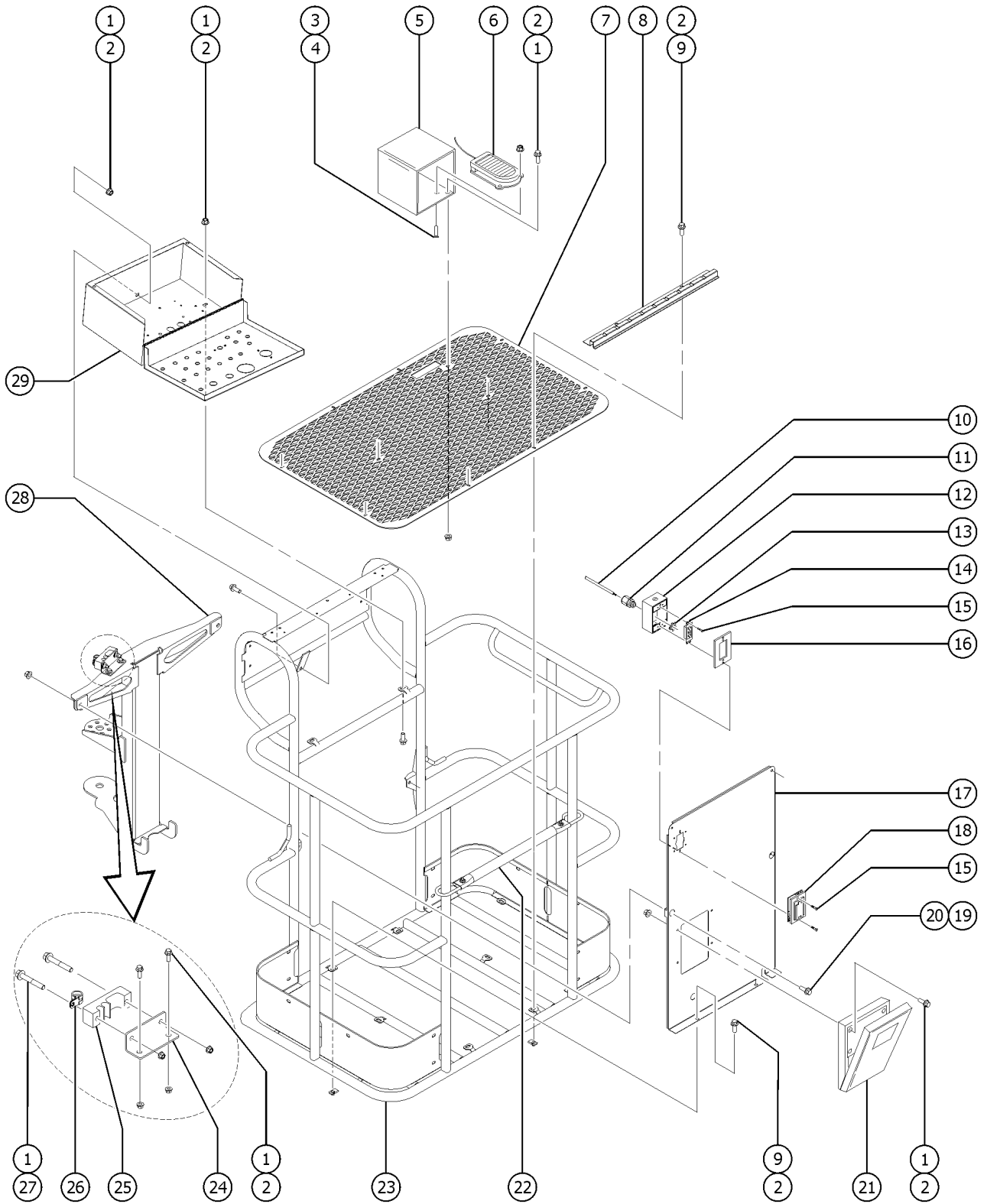
506.1 Jib Boom and Platform Rotator



506.1 Jib Boom and Platform Rotator

Item	Part No.	Description	Qty.	Item	Part No.	Description	Qty.
1		Ref. EXTENSION BOOM <i>refer to 504.1</i>		--	35088GT	BEARING,FL,1.25IDX1.41ODX.89L.....2 <i>rod end</i>	2
2	824151GT	WASHER,SHIM,1.270X2.130X.062,Z.....8		--	47377GT	BEARING,1.25 ID X 1.5 OD X .75.....2 <i>barrel end</i>	2
3	824164GT	SNAP RING,EXTERNAL,1.25,ZAG.....6		--	74735GT	VALVE,COUNTERBALANCE.....2	2
4	128550GT	PIN,1.25DIAX7.64LG,2RING.....1		--	94260GT	SEAL KIT, 94217	
5	74587GT	BELLCRANK ASSEMBLY, Z30N,Z34**...1		30	10665GT	PIN,ROLL,.25 X 1.5***.....1	1
--	74865GT	BEARING,FL,1.25IDX1.50ODX1.25L.....6		31	50546GT	PIN,1.25DIAX6.36LG,2RING.....1	1
--	74866GT	BEARING,1.25IDX1.50ODX1.25L.....2					
6	825019GT	ROD END,.375X3.69,ZAG.....6					
7	824092GT	SCREW,HHF,3/8-16X1.5,8,ZAG.....7					
8	824025GT	NUT,TL,3/8-16,C,ZAG.....6					
9	36054-SGT	COMPRESSION MEMBER (BORED)**.....2					
10	94218GT	CYLINDER,JIB.....1					
--	31106GT	VALVE,CNTERBAL,CBBB-LHN@3000** <i>for 94218</i>					
--	47377GT	BEARING,1.25 ID X 1.5 OD X .75					
--	94261GT	SEAL KIT,94218					
11	1273205GT	SCREW,HHC,3/4-10X9.5,8,ZAG.....1					
12A	1256863GT	WASHER,FLAT,.75,SAE,HRD,ZAG.....1					
12B	1257458GT	NUT,TL,3/4-10,C,ZAG.....1					
13	233717GT	ROTATOR,PLAT,Z30/34/Z40.....1					
--	233745GT	SEAL AND BRG KIT,4.5K ROTATOR					
--	30222GT	BEARING,FL,1.25IDX1.41ODX1.50L					
14A	1256109GT	SCREW,HHC,3/8-16X.75,8,ZAG.....6					
14B	826793GT	WASHER,FLAT,3/8,SAE,HRD,ZAG.....6					
15	56500-SGT	WELDMENT,PLATFORM SUPPORT***.....1					
16	824062GT	SCREW,HHC,1/4-20X1.5,8,ZAG.....3					
17	824109GT	WASHER,LOCK,1/4,ZAG.....3					
18		Ref. Platform Rotator Manifold <i>refer to 702.1</i>					
19	36199GT	PIN,1.25DIA.X10.38LG,1HOLE.....2					
20	42939GT	WIRE LOOM,1.88 DIA.....41 <i>inches</i>					
21	1288080GT	CLAMP,RUBBER CUSHIONED-2 5/32...2					
22	56976-SGT	JIB BOOM MACH***.....1					
23	36561-SGT	HOSE COVER,JIB BOOM**.....1					
24	824029GT	NUT,TL FLG,3/8-16,G,ZAG.....2					
25	42797GT	PIN,1.25DIAX12.50LG,2HOLE.....2					
26		Ref. Jib Boom Manifold <i>refer to 702.1</i>					
27	824077GT	SCREW, HHF, 1/4-20 X .5, 8, ZAG.....2					
28	139655GT	PIN,SLAVE CYLINDER.....1					
29	94217GT	CYLINDER,SLAVE,DONGYANG.....1					

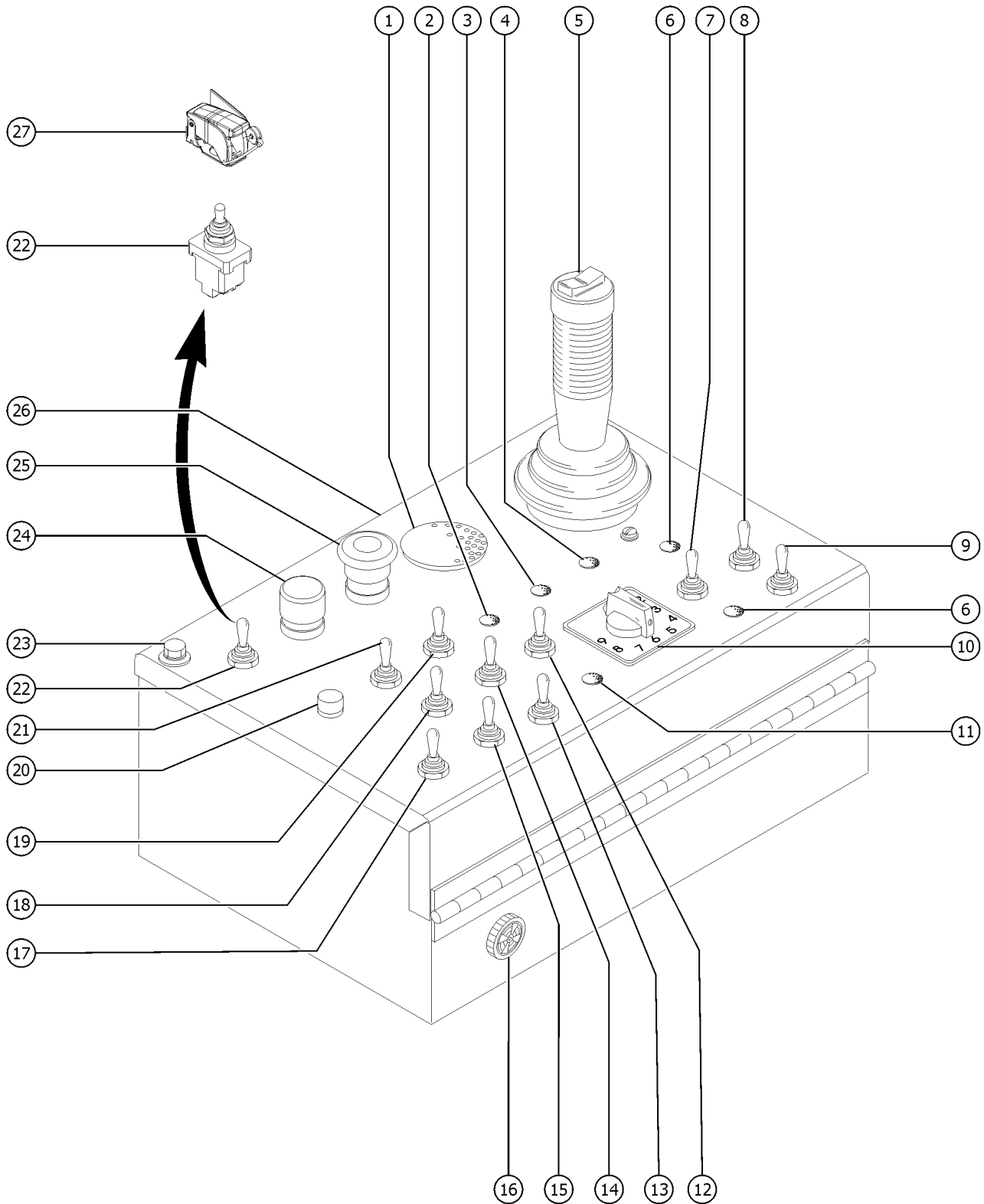
601.1 Platform



601.1 Platform

Item	Part No.	Description	Qty.	Item	Part No.	Description	Qty.
1	824027GT	NUT,TL FLG,1/4-20,G,ZAG.....	12	21B	24514GT	BOX,INSTRUCTION STORAGE <i>Europe/Asia/South America (decal required; refer to Section100)</i>	
2	824078GT	SCREW,HHF,1/4-20X.75,8,ZAG.....	20	22	102992GT	SLIDING MIDRAIL KIT,PTD.....	1
3	824225GT	SCREW,FHPM,10-32X.75,ZAG.....	4	--	12443GT	MIDRAIL GUIDE (HOOK)	
4	824032GT	NUT,TL FLG,10-32,F,ZAG.....	4	--	20973GT	WIRE LOOM,3/8 POLY SLIT	
5	32710GT	GUARD,FOOTSWITCH,W/DECAL STEEL.....	1	--	21121GT	CABLE TIE,4" BLK,HEAT RESISTNT	
--	30807P-SGT	FOOTSWITCH HOUSING,PAINTED..... <i>without decal</i>	1	23A	62514GT	PLAT.W/DECAL4'Z30N/34ALL,ANSI*..... <i>ANSI/CSA models</i>	1
6	227620GT	ASSEMBLY,FOOT SWITCH.....	1	23B	62518GT	PLAT.ASSY.W/DECAL 5'Z34,ANSI*..... <i>ANSI/CSA models</i>	1
--	119058GT	CONN PLUG 4 WAY ENDCAP DT.....	1	23C	106546GT	4' PLAT RAILING ASSY,AUST.....	1
--	227564GT	FOOT SWITCH,20A IP65.....	1			<i>AUS models</i>	
--	33576GT	CONN,SQZ,BLK,1/2NPT,.38-.50,SM..... <i>gray</i>	1	23D	106549GT	5' PLAT RAILING ASSY,AUST.....	1
--	43960GT	WIRE CABLE,16/4 CON.TPE JKT.....	60-inches			<i>AUS models</i>	
--	73739GT	BOOT,PLUG 4 WAY.....	1	23E	106547GT	4' PLAT RAILING ASSY,CE.....	1
7A	56465PGT	FLOORING,PLATFORM 46X30,PAINT...1				<i>CE models</i>	
7B	56576PGT	FLOORING,PLATFORM,56X30,PNTD....1		23F	106550GT	5' PLAT RAILING ASSY,CE.....	1
8	56656GT	PLATFORM STEP ***.....	1			<i>CE models</i>	
9	56912GT	SPRING CLIP,1/4-20,.025-.15X.54,ZAG.....	10	23G	94745PGT	TOEBOARD,ENTRY EUROPEAN PNTD**.....	1
10	43956GT	WIRE CABLE,14/3 CON.TPE JKT*.....	600-inches			<i>CE, Asia and S. American models</i>	
11	7056GT	CONN,SQUEEZE,1/2NPT .38-.50,SM...1		23H	106548GT	4' PLAT RAILING ASSY,ASIA.....	1
12	10775GT	T-BOX,2.75 X 4.5 X 2.0.....	1			<i>Asia and S. American models</i>	
13	6935GT	LOCKNUT,ELEC,1/2".....	1	23I	106551GT	5' PLAT RAILING ASSY, ASIA.....	1
14A	13585GT	OUTLET, 110V.....	1			<i>Asia and S. American models</i>	
		<i>includes mounting fasteners; North America (shown)</i>		24	128667GT	BRACKET, CABLE STRAIN RELIEF.....	1
14B	T112563GT	SVC KIT,UK RECEPT.REPLACEMENT.....	1	25	128668GT	CLAMP,CABLE STRAIN RELIEF.....	1
		<i>British (not shown)</i>		26	128669GT	BACKING PLATE, PLATFORM CLAMP.....	1
--	33759GT	SCREW,PHILLIPS,PHM,8-32 X.375.....	4	27	824081GT	SCREW,HHF,1/4-20X1.5,8,ZAG.....	2
--	66355GT	GASKET, UK & DIN PWR. TO PLAT.....	1	28A	56500-SGT	WELDMNT,PLATFORM SUPPORT***.....	1
--	T112560GT	RECEPTACLE,UK,110V.....	1			<i>Support, Load Sense Option.....</i>	1
--	T112561GT	PLATE,UK,POWER TO PLAT.....	1			<i>refer to 812.1</i>	
15	824214GT	SCREW,PHPM,6-32X.5,ZAG.....	4	29		Ref. Platform Control Box.....	1
16	74052GT	GASKET,COVER,GFCI,WEATHERPROOF.1				<i>refer to 602.1 and 603.1</i>	
17	1274873GT	FORMING,DECAL PLATE.....	1				
18A	45437GT	COVER,GFCI,WEATHERPROOF.....	1				
		<i>includes mounting fasteners; North America (shown)</i>					
18B	10777GT	COVER,BLANK					
19	824087GT	SCREW,HHF,5/16-18X1.25,8,ZAG.....	2				
20	824028GT	NUT,TL FLG,5/16-18,G,ZAG.....	2				
21A	44743GT	MANUAL BOX W/DECALS***.....	1				
		<i>USA/Canada/Australia</i>					

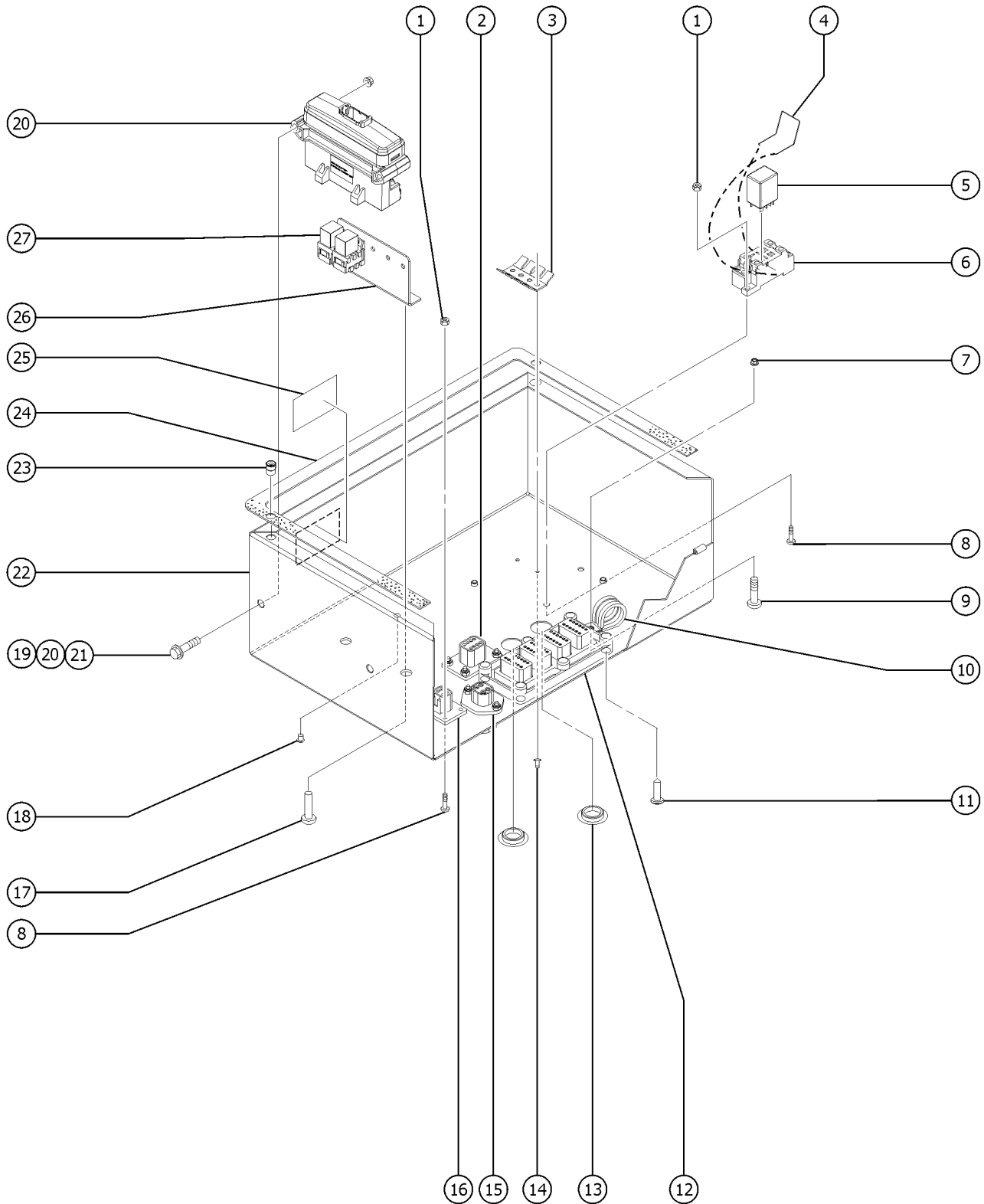
602.1 Platform Control Box, External View



602.1 Platform Control Box, External View

Item	Part No.	Description	Qty.	Item	Part No.	Description	Qty.
--	42781GT	PLUG, NYLON .250 BLACK DOMED		17	128580-SGT	SWITCH TOGGLE SPDT 3P MOM SHDR <i>drive enable switch</i>	
--	15243GT	PLUG,NYLON .875 BLACK DOMED		18	128582-SGT	SWITCH TOGGLE DPDT 3P MOM SHDR <i>platform rotate</i>	
--	45782GT	DIODE,6 AMP,200 PIV,BULK		19	128582-SGT	SWITCH TOGGLE DPDT 3P MOM SHDR <i>primary boom extend/retract</i>	
D	128204GT	SWITCH TOGGLE ASSY SPDT 2P MNT <i>option, work lights</i>		20	824878GT	LIGHT,LED IND. RED 24V NH <i>drive enable indicator</i>	
1A	81900GT	PLUG,NYLON 2.093 BLACK DOMED		21	128582-SGT	SWITCH TOGGLE DPDT 3P MOM SHDR <i>platform level</i>	
1B	110651GT	LVI/BCI 36/48 VOLT ENGAGE II <i>option, battery charge or low voltage indicator</i>		22	128581-SGT	SWITCH TOGGLE DPDT 2P MOM SHDR.....1 <i>auxiliary power</i>	
--	110652GT	GASKET LVI/BCI ENGAGE II		23	824077GT	SCREW, HHF, 1/4-20 X .5, 8, ZAG.....2	
--	110653GT	BRACKET ENGAGE II		24	122513GT	KIT,HORN SVC BB&SM BOOM.....1	
1C	237145GT	IND,BAT CHARGE,48V LEAD-ACID <i>option, battery charger indicator</i>		--	66813GT	BUTTON,PUSH,BLACK W/SEAL***.....1	
2	128200GT	SWITCH TOGGLE ASSY SPDT 3P MOM <i>option, aircraft protection function override</i>		--	66815GT	BASE, W/1 N.O. CONTACTS***.....1	
3	824878GT	LIGHT,LED IND. RED 24V NH <i>option, machine not level indicator</i>		25	66818GT	CONTACT, N.C.	
4	824878GT	LIGHT,LED IND. RED 24V NH <i>option, platform overload indicator</i>		25A	66816GT	CONTACT,N.O.***	
5		Ref. JOYSTICK.....1 <i>refer to 604.1</i>		--	66812GT	BUTTON,PUSH,RED MUSHROOM HEAD.....1	
6	229567GT	PLUG,SANTOPRENE .5 BLACK DOME		--	146478GT	BOOT(BELLOWS),E-STOP,BLACK.....1	
7A	128584-SGT	SWITCH TOGGLE SPDT 2P MNT SHDR <i>Z34N/DC option, platform light</i>		--	94506GT	BASE,W/3 NC CONTACTS.....1	
7B	128580-SGT	SWITCH TOGGLE SPDT 3P MOM SHDR <i>bi-energy engine start</i>		26		Ref. CONTROL BOX PLATFORM,PAINTED.....1 <i>refer to 603.1</i>	
8	128580-SGT	SWITCH TOGGLE SPDT 3P MOM SHDR <i>option, glow plug</i>		27	1261347GT	TOGGLE SWITCH W/GUARD ASSY.....1 <i>CE models only</i>	
9	128586-SGT	SWITCH TOGGLE DPDT 3P MNT SHDR <i>Z34BE, engine idle select</i>		--	1261346GT	TOGGLE SWITCH GUARD,RED.....1	
10		Ref. CONTROLLER,ROTARY 24V W/RAMP.....1 <i>refer to 605.1</i>		--	1261566GT	SECURITY TIE,TOGGLE GUARD.....1	
11A	128204GT	SWITCH TOGGLE ASSY SPDT 2P MNT <i>option, 110V or 120V inverter</i>					
11B	56457-SGT	SWITCH,TOGGLE,SPDT,2 POS MAINT <i>option, 220V inverter</i>					
12	128582-SGT	SWITCH TOGGLE DPDT 3P MOM SHDR <i>jib boom up/down</i>					
13A	128582-SGT	SWITCH TOGGLE DPDT 3P MOM SHDR <i>secondary boom up/down</i>					
13B	45105GT	GUARD,TOGGLE SWITCH <i>not shown</i>					
14	128582-SGT	SWITCH TOGGLE DPDT 3P MOM SHDR <i>primary boom up/down</i>					
15	128582-SGT	SWITCH TOGGLE DPDT 3P MOM SHDR <i>turntable rotate</i>					
16A	45383GT	ALARM,WARBLE TONE 5-30 VDC***.....1 <i>plastic nut not included</i>					
16B	72326GT	NUT - PLASTIC,RING FOR ALARMS					

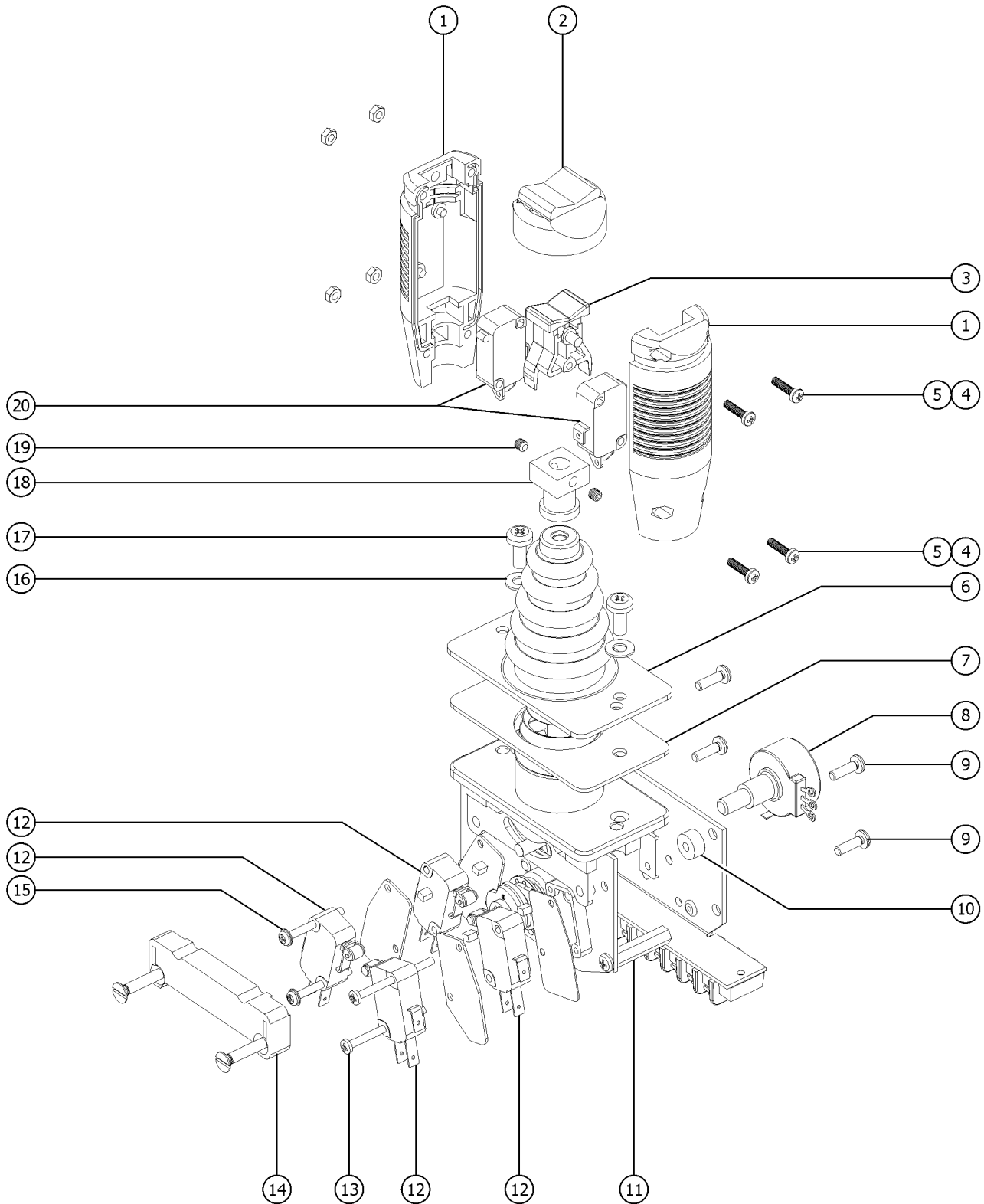
603.1 Platform Control Box, Internal View



603.1 Platform Control Box, Internal View

Item	Part No.	Description	Qty.
--	147253GT	TIME DELAY RELAY,2 SEC,24VDC	
--	42781GT	PLUG, NYLON .250 BLACK DOMED.....2	
1	824019GT	NUT,TL,6-32,A,ZAG	
2	87755GT	CONN,RECEP 8 WAY 14-18GA,FL.....1	
3	56663GT	TERMINAL STRIP.....1	
4	42617GT	CLIP,SPRING,POTTER BRUMFIELD.....1	
5	42616GT	RELAY,POTTER BRUMFIELD 24V **1 <i>for work light option</i>	
6	61226GT	RELAY SOCKET,70AMP.....1	
7	824032GT	NUT,TL FLG,10-32,F,ZAG	
8	824214GT	SCREW,PHPM,6-32X.5,ZAG	
9	54365GT	SCREW,PHIL,PHM,10-32 X .5,SSTL	
10	13268GT	CLAMP,0.75,#12 X 1/4,RUB CUSH.....1	
11	824226GT	SCREW,PHPSH,#12-11X.75,ZAG	
12	73736GT	CONN,RECEP 48 WAY,4 X 12.....1	
--	54255GT	LOCK,RECEP 12 WAY, 14-18GA	
--	73713GT	TERM,NI PIN,S&F,16-18GA,REEL	
13	15243GT	PLUG, NYLON .875 BLACK DOMED.....2	
14	824206GT	RIVET,STL,STL,DOVE,1/8X.25,ZAG.....4	
15	73717GT	CONN,RECEP 4 WAY,12-14GA FL***1	
--	60526GT	LOCK,RECEP 4 WAY,12-14GA	
--	73711GT	TERM,DEUTSCH, PIN #12-14	
16	73723GT	CONN RECEP,FLANGED.....1	
--	54259GT	TERM,NI PIN, 14-16GA,BULK	
--	60443GT	LOCK,RECEP 4 WAY,14-18GA	
17	824079GT	SCREW,HHF,1/4-20X1.8,ZAG <i>CE models from SN 11787</i>	
18	42781GT	PLUG, NYLON .250 BLACK DOMED.....4	
19	824083GT	SCREW,HHF,1/4-20X2.5,8,ZAG.....2	
20		"Ref. MODULE, PLUS+1, OPA2 " <i>refer to 813.2 Lift Guard Contact Alarm</i>	
21	1277924GT	NUT,NYLOCK FLG,1/4-20,F,ZAG.....2	
22	110649GT	PLATFORM CONTROL BOX W/DECAL.....1 <i>Includes items 16, 17 and 18</i>	
23	23404GT	NUTSERT,1/4-20,STEEL CAD PLTD.....2	
24	36235GT	GASKET,PLAT.CONTROL BOX.....1	
25	30997GT	CORROSION INHIBITOR,FOAM.....1	
26	T106699GT	BRACKET,RELAY MOUNT W/INSERTS.....1 <i>CE models from SN 11787; includes nutserts</i>	
27	56302GT	RELAY,24VDC,40/30A,SEALED***2 <i>CE models from SN 11787</i>	

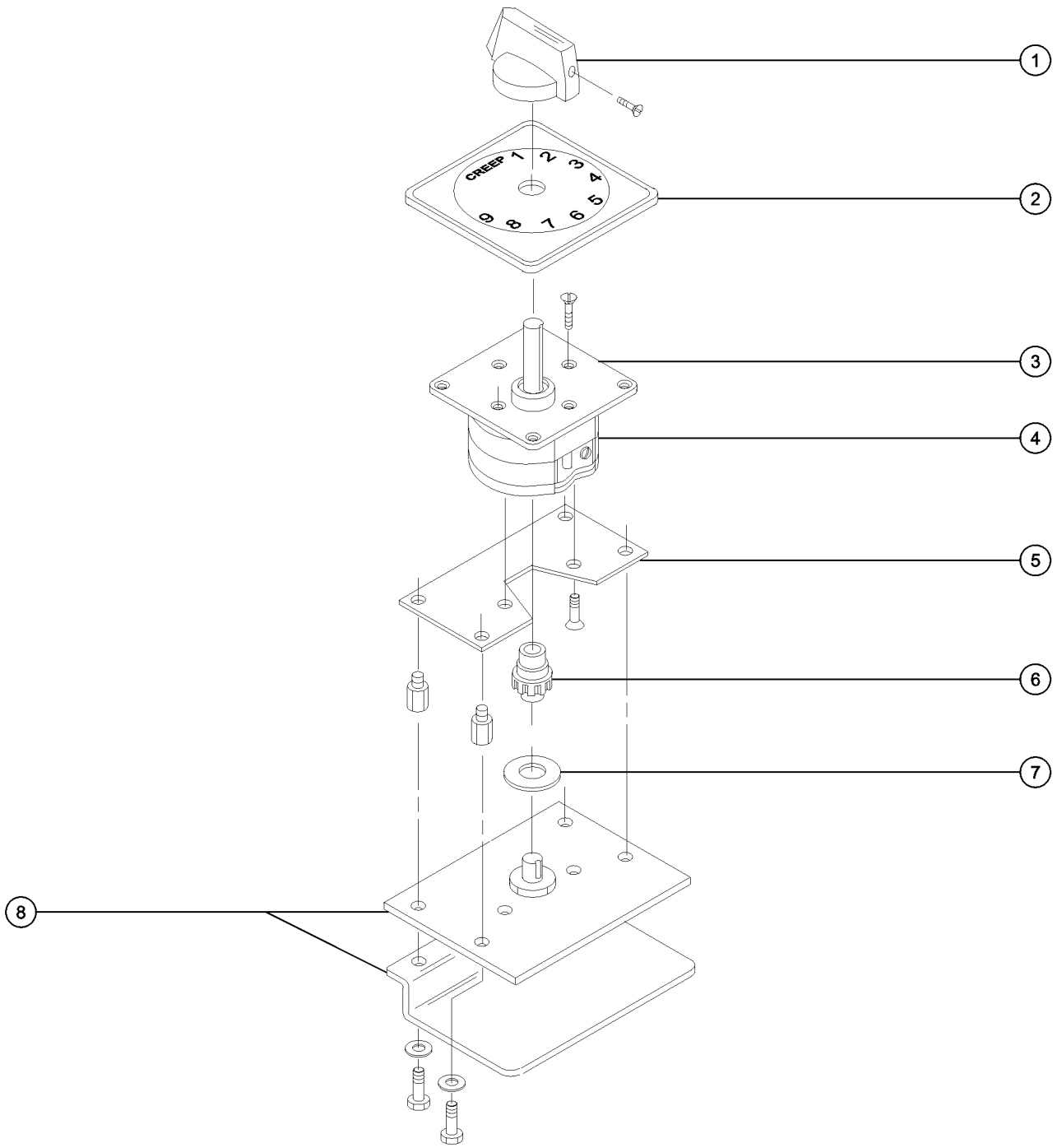
604.1 Joystick Controller, Drive/Steer Functions



604.1 Joystick Controller, Drive/Steer Functions

Item	Part No.	Description	Qty.
--	234923GT	JOYSTICK,5K-0 OHM,W/RELAY.....	1
1	52887GT	HANDLE HALF (56274).....	2
2	43038GT	BOOT-THUMB ROCKER** BLACK.....	1
3	65178GT	ROCKER ASSY W/ROLLPIN***.....	1
4	52895GT	SCREW,PHM,M3 X .5 X 12MM.....	4
5	52928GT	NUT-HEX,3M X 0.5MM.....	4
6	21427GT	BOOT,CONTROLLER**.....	1
7	43042GT	GASKET,JOYSTK.SHAFT36867/42032..	1
8	72298GT	POTENTIOMETER (56773).....	1
9	65546GT	SCREW,PHM,M3.5 X 12MM (57890)....	6
10	74368GT	SPACER-POT.PLATE,JOYSTICK56773..	2
11	19721GT	MICROSWITCH SPACER,45049.....	1
12	19712GT	MICROSWITCH,V3L-139-D8.....	4
13	52892GT	SCREW,PHS,4-40 X 1.5.....	2
14	19713GT	SPRING RETURN,HEAVY DUTY,45049.....	1
15		Ref. SCREW, 4-40 x 1/18"..... <i>illustration purpose only</i>	2
16	74362GT	WASHER,NYLON, JOYSTICK.....	2
17	226383GT	SCREW.....	2
18	43040GT	NUT,JS,36867/42032/44988/40612..... <i>coupling</i>	1
19	58985GT	SCREW,HANDLE42032,40612,36867....	2
20	19722GT	MICROSWITCH-V319M***.....	2

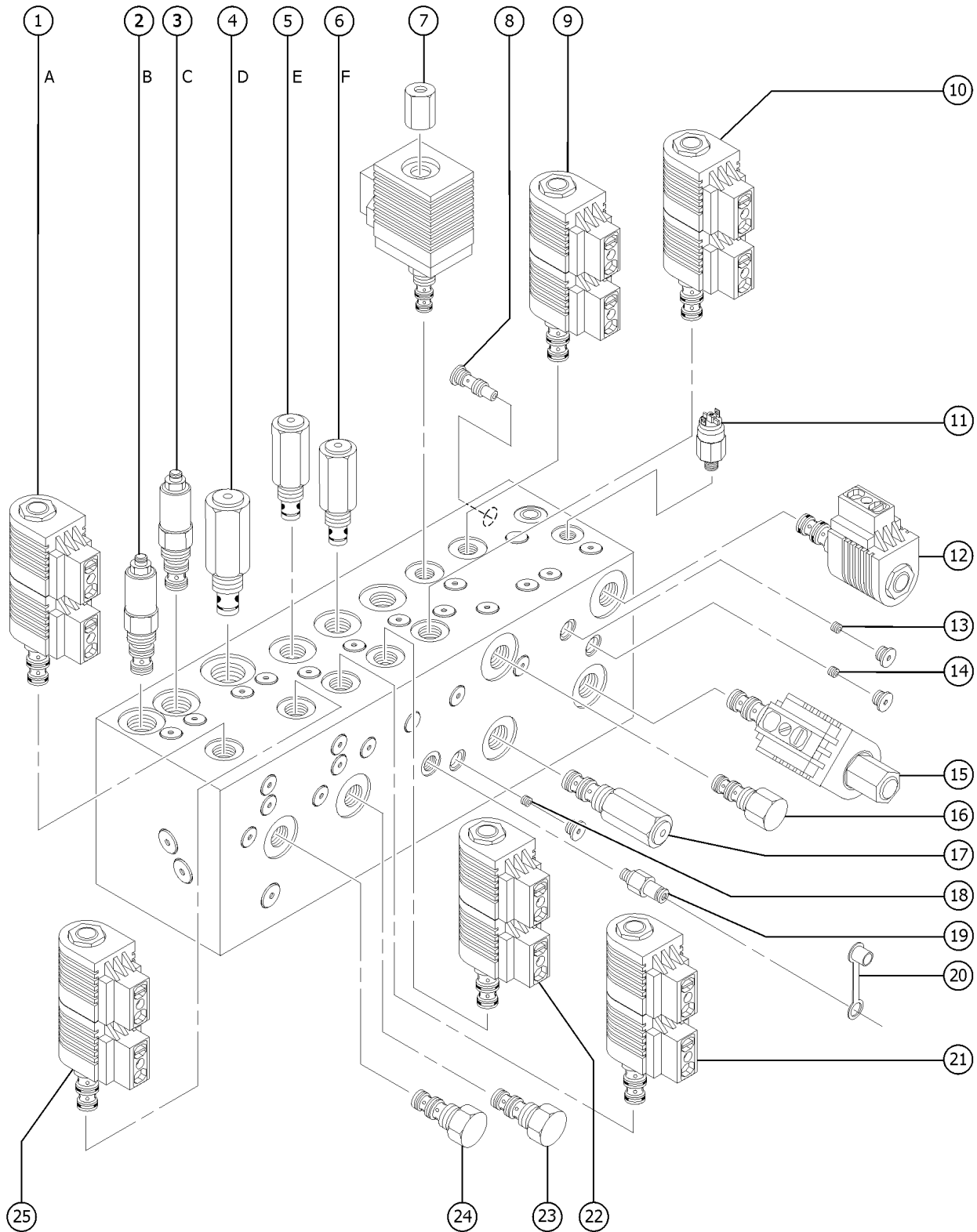
605.1 Rotation Controller, Boom Function Speed



605.1 Rotation Controller, Boom Function Speed

Item	Part No.	Description	Qty.
--	56886GT	CONTROLLER,ROTARY 24V W/RAMP.....	1
1	35679GT	KNOB, 45048 CONTROLLER.....	1
2	35680GT	LEGEND,PLSTC,"CREEP TO 9"***.....	1
3	35678GT	MOUNTING PLATE, 45048.....	1
4	74356GT	SWITCH ASSEMBLY (56886).....	1
5	74357GT	PLATE,ROTARY CNTRL (56886).....	1
6	74358GT	COUPLING,POT SHAFT (56886).....	1
7	74359GT	GASKET-ROTARY CNTRL 56886.....	1
8	74384GT	PRINTED CIRCUIT BOARD 56886.....	1

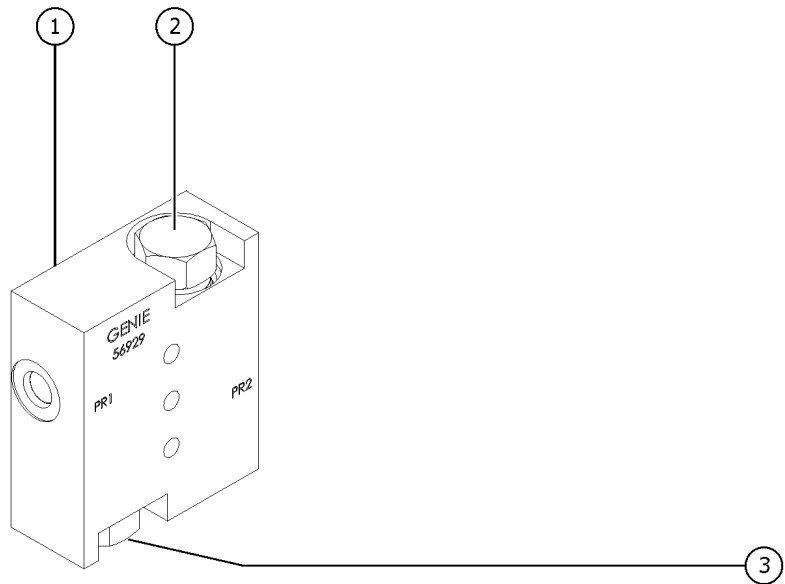
701.1 Function Manifold



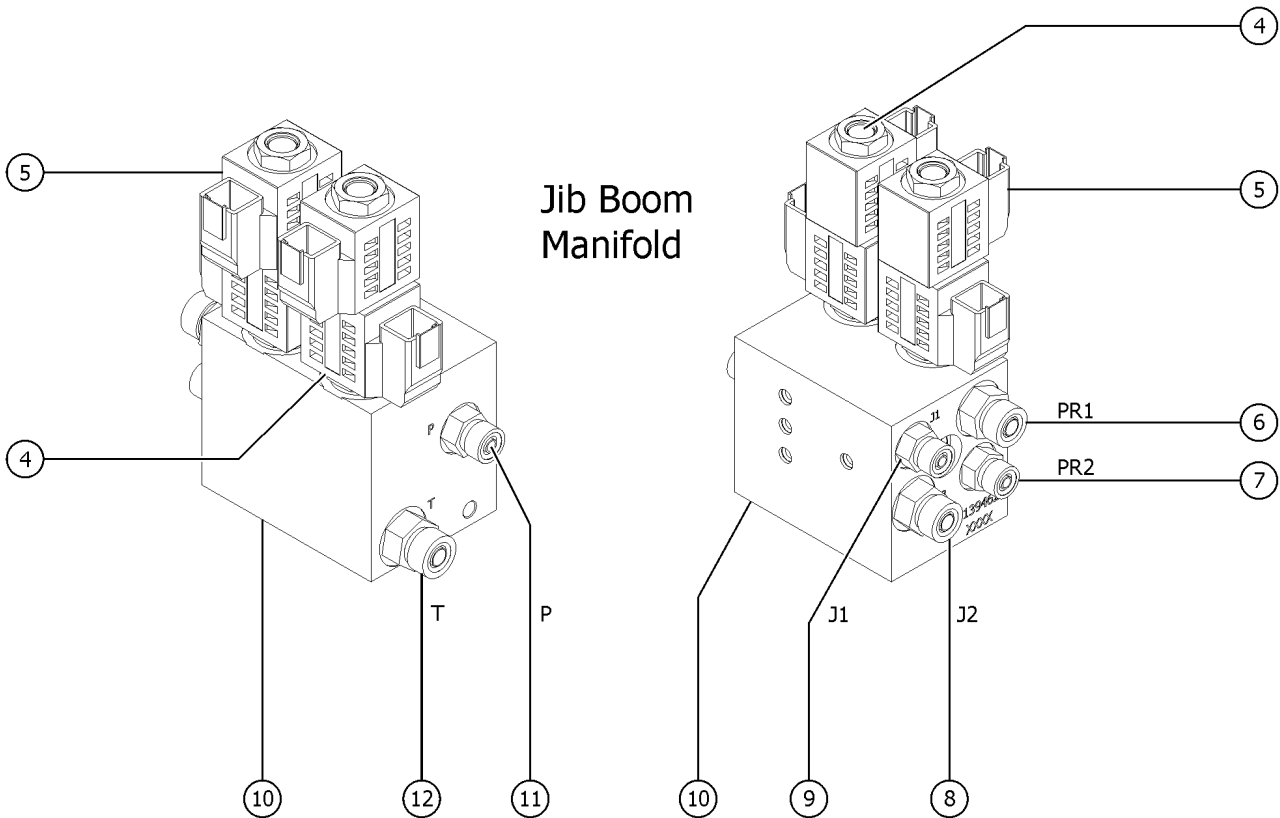
701.1 Function Manifold

Item	Part No.	Description	Qty.	Item	Part No.	Description	Qty.
--	128444GT	MANIFOLD,FUNC,Z30N/Z34DC/BE.....1	1	12	45544GT	VALVE SOLENOID.....1 <i>brake circuit</i>	1
--	49612GT	O-RING KIT (ORFS FITTINGS)		--	52339GT	COIL,SOLND,W/D,20V DUAL SPADE	
--	49613GT	PLUG AND CAP KIT-SERVICE,ORFS*		--	52943GT	NUT,SOLENOID VALVE COIL	
--	28750GT	O-RING KIT,FIELD SVC,ALL PROD*		--	74902GT	SEAL KIT	
--	33994GT	PLUG AND CAP KIT-SERVICE,37 **		13	19789GT	PLUG,ORIFICE-.045.....1 <i>brake circuit</i>	1
1	52599GT	VALVE,SOLENOID,3POS/4WAY*.....1 <i>platform level up/down</i>	1	14	19789GT	PLUG,ORIFICE-.045.....1 <i>brake and steer circuit</i>	1
--	40413GT	COIL,SOLND,W/D,20V SGL SPADE		15	44956GT	VALVE,SOLENOID 20V W/DIODE.....1 <i>brake circuit</i>	1
--	52943GT	NUT,SOLENOID VALVE COIL		--	40413GT	COIL,SOLND,W/D,20V SGL SPADE	
--	72047GT	SEAL KIT, SOLENOID VALVE		--	45921GT	RETAINER-N.C.PROPOR.SOLENOID	
2	52604GT	VALVE,COUNTERBALANCE, 3000PSI.....1 <i>platform level down</i>	1	--	74902GT	SEAL KIT	
--	58994GT	SEAL KIT,VALVE (48647)		16	74425GT	VALVE,DIFF.SENSE***.....1 <i>differential sensing circuit</i>	1
3	52604GT	VALVE,COUNTERBALANCE, 3000PSI.....1 <i>platform level up</i>	1	--	110197GT	SEAL KIT, VALVE, #10	
--	58994GT	SEAL KIT,VALVE (48647)		17	52715GT	VALVE,RELIEF 3200 PSI.....1 <i>system relief</i>	1
4	52603GT	VALVE,RELIEF,1100PSI***.....1 <i>turntable rotate left/right</i>	1	--	74902GT	SEAL KIT	
--	110199GT	SEAL KIT, VALVE, #10		18	94019GT	ORIFICE, 0.035" (74512,74966) <i>tank return circuit</i>	
5	52601GT	VALVE,RELIEF,1600 PSI.....1 <i>secondary boom down</i>	1	19	48997GT	NIPPLE,DIAGNOSTIC,#4.....1 <i>testing</i>	1
--	74902GT	SEAL KIT		--	20224GT	DIAGNOSTIC FEMALE Q-DSCNT	
6	52601GT	VALVE,RELIEF,1600 PSI.....1 <i>primary boom down</i>	1	20	48880GT	CAP,DIAGNOSTIC NIPPLE	
--	74902GT	SEAL KIT		21	52599GT	VALVE,SOLENOID,3POS/4WAY*.....1 <i>secondary boom up/down</i>	1
7	40410GT	VALVE,PROPORTIONAL**.....1 <i>system flow regulating circuit</i>	1	--	40413GT	COIL,SOLND,W/D,20V SGL SPADE	
--	29032GT	COIL,24V SOLENOID VALVE		--	52943GT	NUT,SOLENOID VALVE COIL	
--	45921GT	RETAINER-N.C.PROPOR.SOLENOID		--	72047GT	SEAL KIT, SOLENOID VALVE	
--	89310GT	SEAL KIT, SOLENOID VALVE		22	52599GT	VALVE,SOLENOID,3POS/4WAY*.....1 <i>primary boom up/down</i>	1
8	43599GT	VALVE,CHECK.....1 <i>brake circuit</i>	1	--	40413GT	COIL,SOLND,W/D,20V SGL SPADE	
--	110200GT	SEAL KIT, VALVE, #4		--	52943GT	NUT,SOLENOID VALVE COIL	
9	52885GT	VALVE,SOLENOID,3POS 4WAY.....1 <i>steer lift/right</i>	1	--	72047GT	SEAL KIT, SOLENOID VALVE	
--	40413GT	COIL,SOLND,W/D,20V SGL SPADE		23	19470GT	VALVE,FLOW REGULATOR.....1 <i>turntable rotate circuit</i>	1
--	52943GT	NUT,SOLENOID VALVE COIL		--	74902GT	SEAL KIT	
--	72047GT	SEAL KIT, SOLENOID VALVE		24	52598GT	VALVE,FLOW REGULATOR .8 GPM.....1 <i>jib boom and platform rotate circuit</i>	1
10	52599GT	VALVE,SOLENOID,3POS/4WAY*.....1 <i>primary boom extend/retract</i>	1	--	74902GT	SEAL KIT	
--	40413GT	COIL,SOLND,W/D,20V SGL SPADE		25	52885GT	VALVE,SOLENOID,3POS 4WAY.....1 <i>turntable rotate left/right</i>	1
--	52943GT	NUT,SOLENOID VALVE COIL		--	40413GT	COIL,SOLND,W/D,20V SGL SPADE	
--	72047GT	SEAL KIT, SOLENOID VALVE		--	52943GT	NUT,SOLENOID VALVE COIL	
11	1287986GT	SWITCH,PRESS,#6SAE,600 PSI.....1 <i>brake circuit</i>	1	--	72047GT	SEAL KIT, SOLENOID VALVE	

702.1 Jib Boom and Platform Rotate Manifold



Platform Rotate Manifold

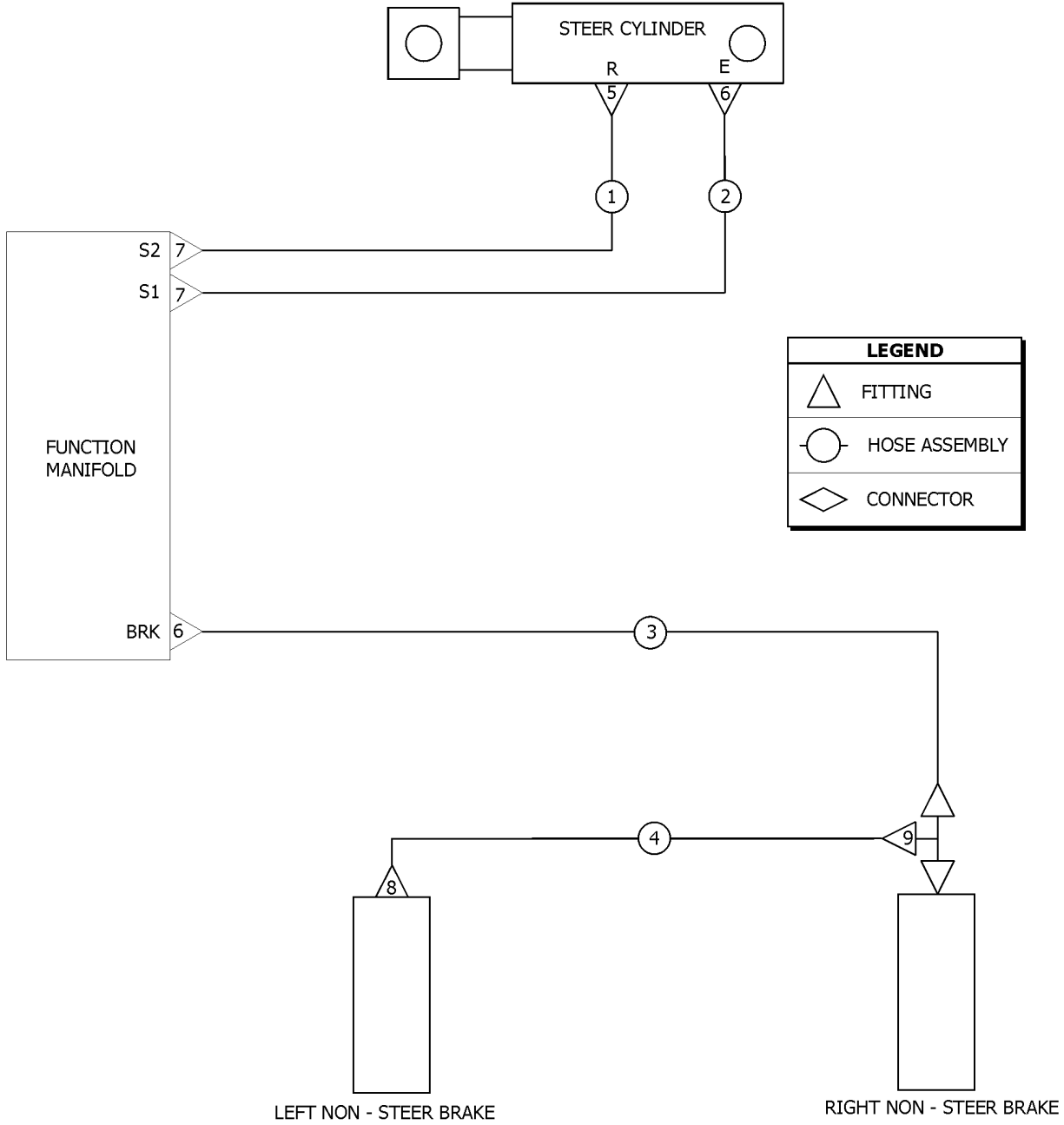


Jib Boom Manifold

702.1 Jib Boom and Platform Rotate Manifold

Item	Part No.	Description	Qty.
1	56929GT	MANIFOLD,ROTATOR,180 DEG.*** <i>includes 2 and 3</i>1
--	62507GT	O-RING, ROTATOR MANIFOLD	
2	62506GT	VALVE - COUNTERBALANCE** <i>platform rotate right</i>	
--	43018GT	SEAL KIT (39345)	
3	62506GT	VALVE - COUNTERBALANCE** <i>platform rotate left</i>	
--	43018GT	SEAL KIT (39345)	
4	139560GT	SOLENOID VALVE W/NUT*** <i>jib boom up/down</i>	
--	139561GT	COIL, SOLENOID VALVE, 24V***	
5	139560GT	SOLENOID VALVE W/NUT*** <i>platform rotate left/right (order coil separately)</i>	
--	139561GT	COIL, SOLENOID VALVE, 24V***	
6	48916GT	CONN, 520120-6	
7	48905GT	CONN,520120-4***	
8	48916GT	CONN, 520120-6	
9	48905GT	CONN,520120-4***	
10	139462GT	MANIFOLD,JIB, 24V NON RJ*** <i>includes 4-12</i>1
--	139564GT	SEAL KIT, JIB MANIFOLD, NON RJ	
11	48905GT	CONN,520120-4***	
12	48916GT	CONN, 520120-6	

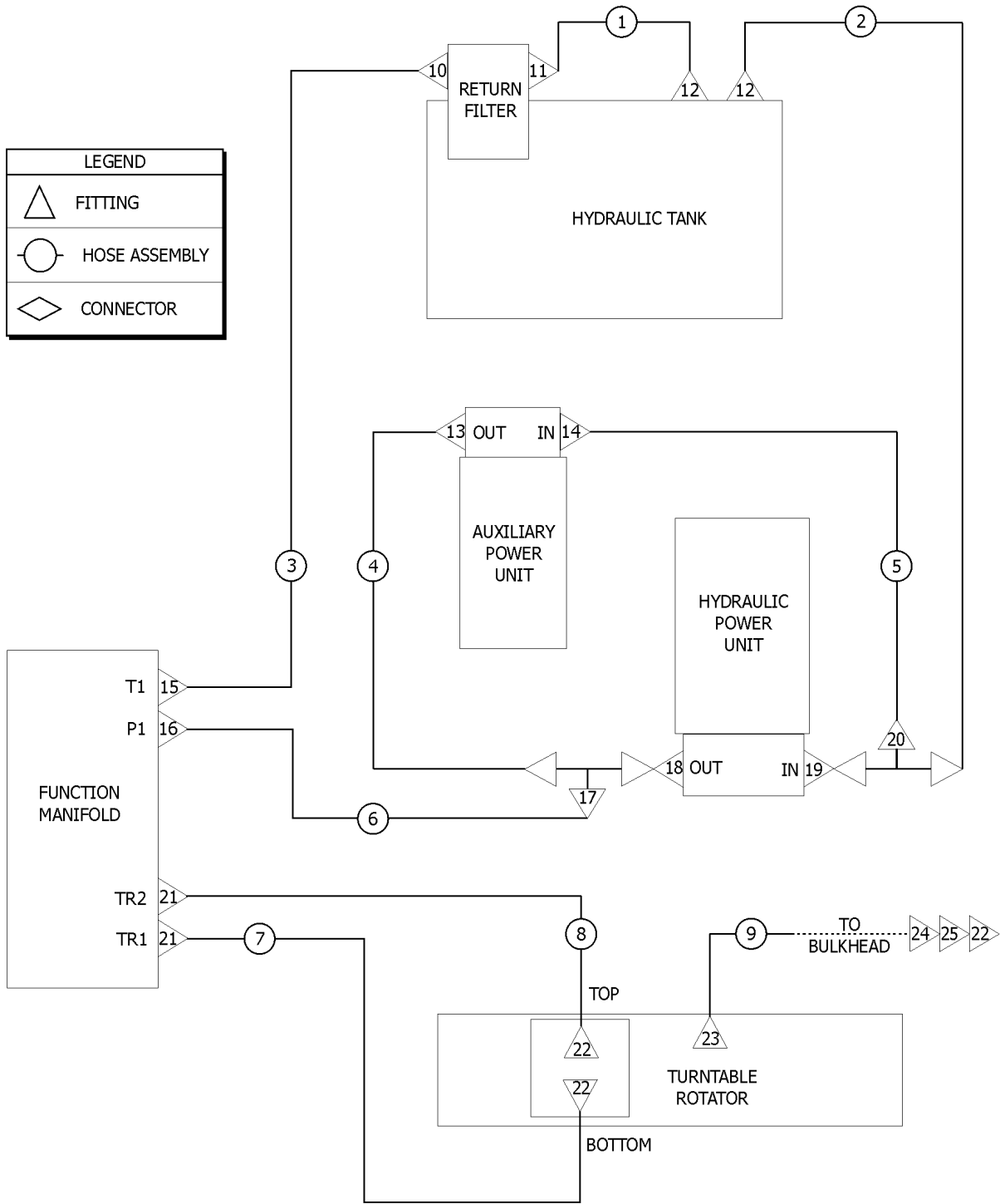
703.1 Drive Chassis Hoses



703.1 Drive Chassis Hoses

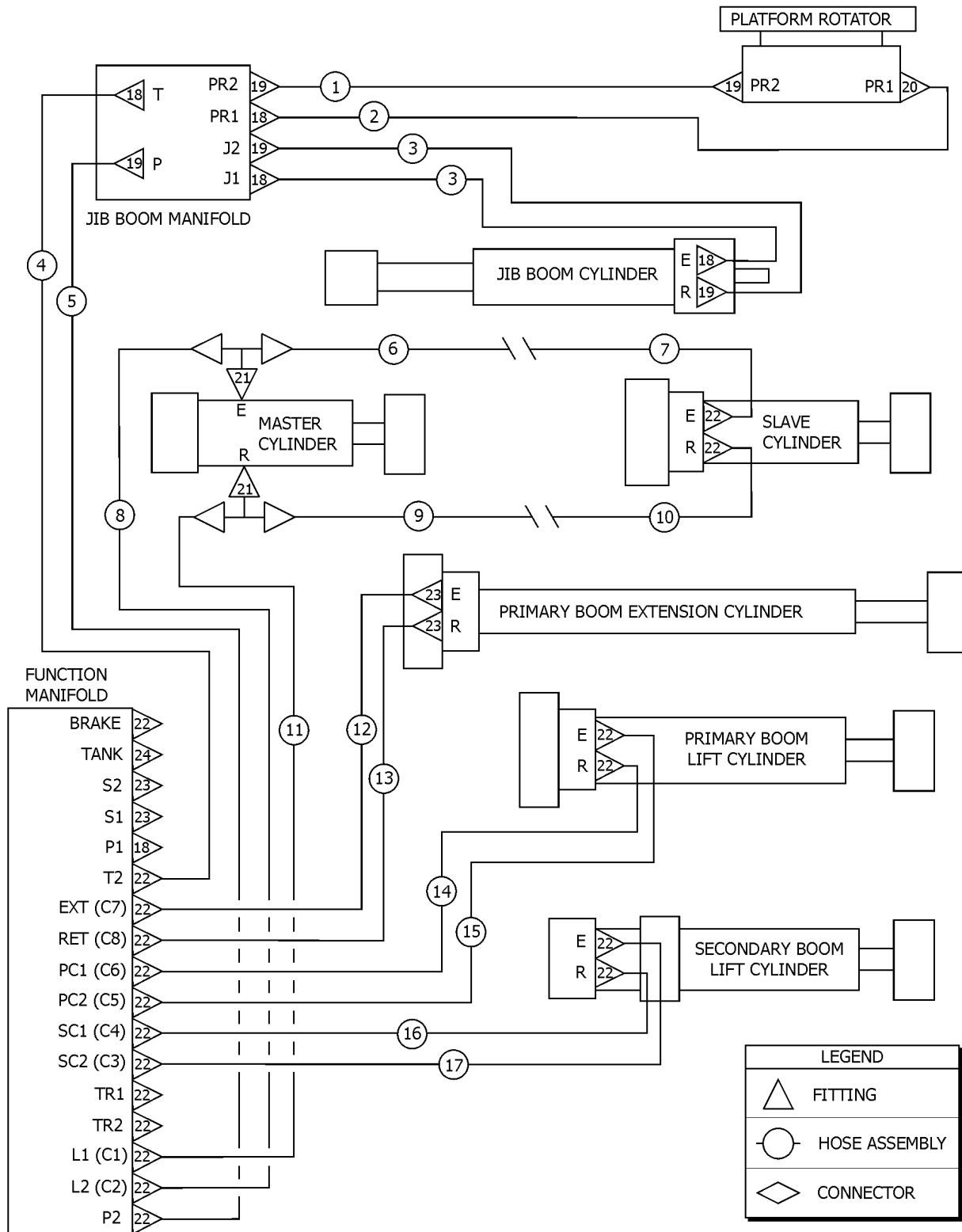
Item	Part No.	Description	Qty.
1	56782GT	HOSE ASSY,1/4",73.00.....	1
2	139081GT	HOSE ASSY,1/4",66.00.....	1
3	56781GT	HOSE ASSY,1/4",81.00.....	1
4A	139210GT	HOSE ASSY,1/4",41.00..... <i>Z34DC/BE</i>	1
4B	42744GT	HOSE ASSY,1/4",33.50..... <i>Z34N</i>	1
5	48911GT	ELBOW,90D,520220-4-6***	
6	48912GT	CONN,520120-4-6***	
7	49418GT	FITTING,ELBOW,45D,520320-4-6**	
8	48904GT	ELBOW,90D,520220-4-4	
9	48906GT	TEE,RUN,520428-4	

704.1 Turntable Hoses



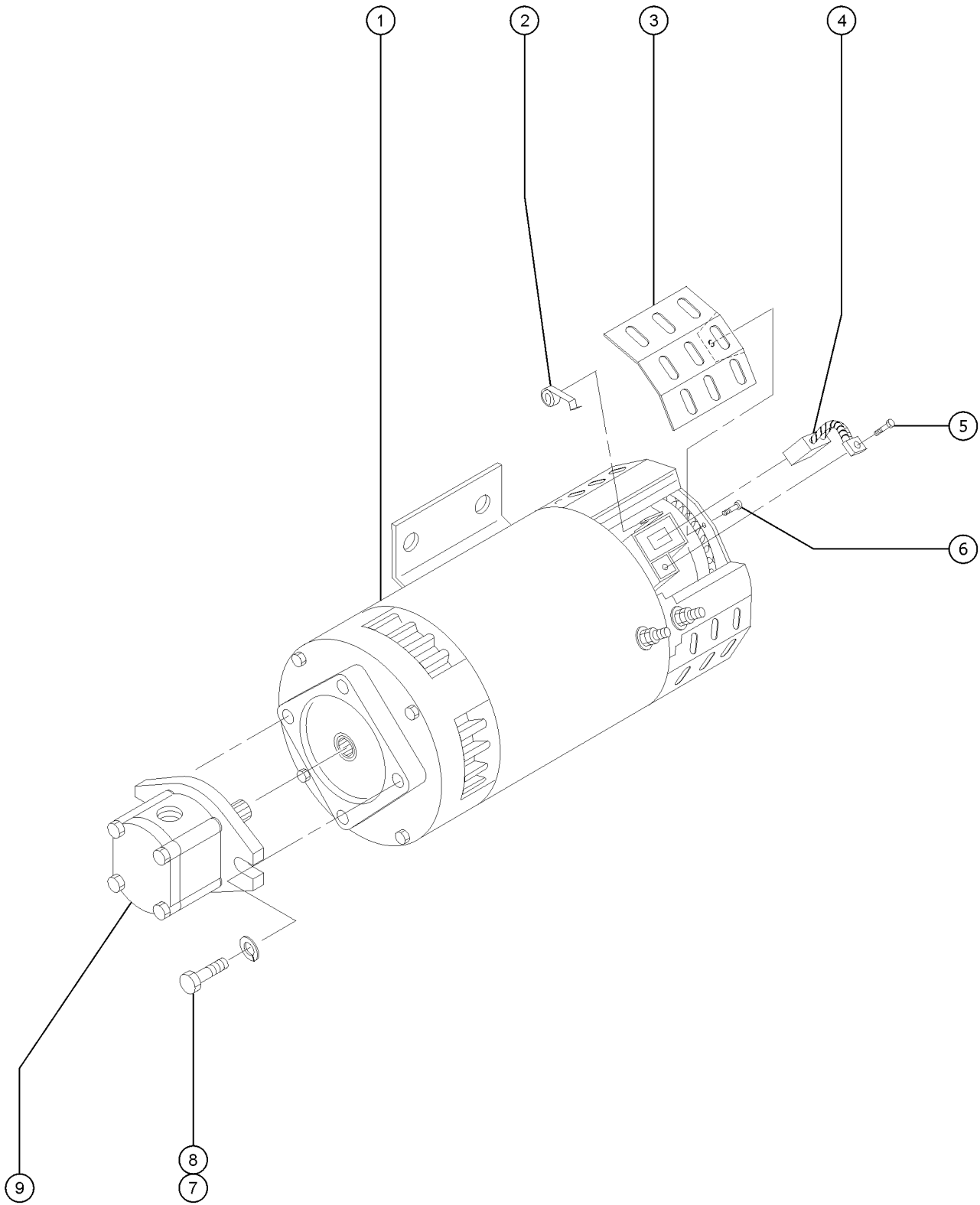
Item	Part No.	Description	Qty.
1	128809GT	HOSE ASSY,1/2",12.38".....	1
2	139879GT	HOSE ASSY,1/2",24.87"..... Z-34N and Z-34DC	1
3	56844GT	HOSE ASSY, 1/2", 54.00..... Z-34N and Z-34DC	1
4	56845GT	HOSE ASSY,3/8",17.00..... Z-34N and Z-34DC	1
5	139880GT	HOSE,ASSY,3/8",20.00"..... Z-34N and Z-34DC	1
6	74147GT	HOSE ASSY,3/8",39.50..... Z-34N and Z-34DC	1
7	42855GT	HOSE ASSY,1/4",31.50.....	1
8	42856GT	HOSE ASSY,1/4",27.50..... Z-34N and Z-34DC	1
9	42805GT	HOSE ASSY,1/4", 23.25..... Z-34N and Z-34DC	1
10	48932GT	FITTING,ELBOW,90D,520220-8***	
11	48937GT	ELBOW,45D,520320-8	
12	1267575GT	ELBOW,90D,520102-8-8	
13	48915GT	ELBOW,90D,520220-6	
14	56003GT	ELBOW,90D,LONG,521520-6	
15	48933GT	CONN,520120-8***	
16	48916GT	CONN, 520120-6	
17	48875GT	TEE,RUN,SWIVEL,520432-6	
18	74136GT	VALVE,CHK,#8PORT-#6MALEORFS***	
19	139877GT	ELBOW,90D,520220-8-10	
20	48938GT	FITTING,TEE,RUN,SWIVEL520432-8	
21	48912GT	CONN,520120-4-6***	
22	22794GT	ZERK,GREASE,1/8 NPT,45DEG	
23	31194GT	ELBOW,070302-4-2	
24	1267579GT	ELBOW,90D,JSJ-4-4	
25	48885GT	CONNECTOR,BULKHEAD,FEMALE-4	

705.1 Boom Hoses



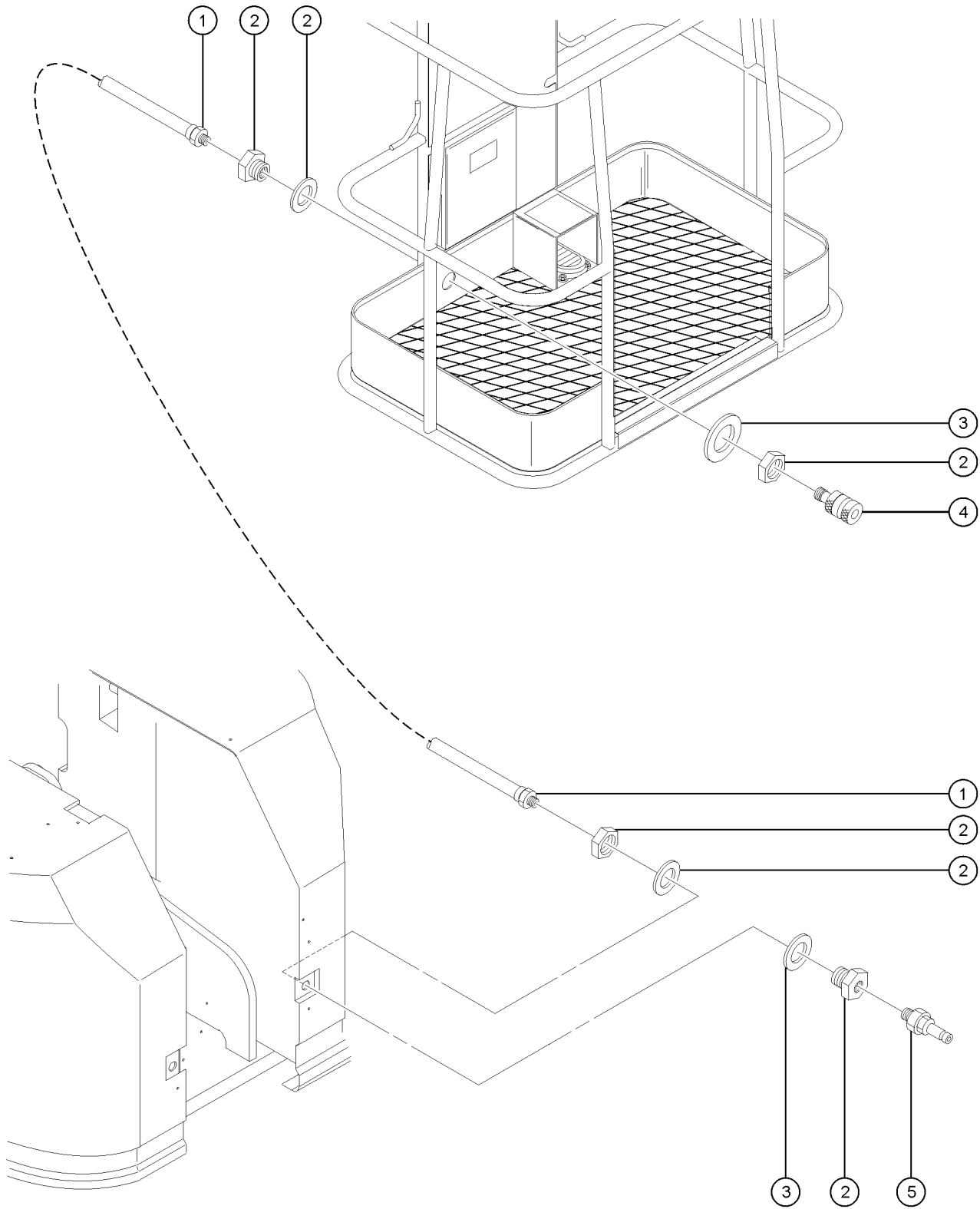
Item	Part No.	Description	Qty.
1	74308GT	HOSE ASSY, 1/4", 46.50.....	1
2	74309GT	HOSE ASSY, 1/4", 46.50.....	1
3	74983GT	HOSE ASSY, 1/4", 19.00.....	2
4	94103GT	HOSE ASSY,1/4",481.5.....	1
5	94104GT	HOSE ASSY,1/4",481.5.....	1
6	74480GT	HOSE ASSY, 1/4", 239.0.....	1
7	56945GT	HOSE ASSY, 1/4", 31.00.....	1
8	139079GT	HOSE ASSY,1/4",202.00.....	1
9	74481GT	HOSE ASSY,1/4",239.0.....	1
10	42817GT	HOSE ASSY, 1/4", 31.50.....	1
11	42894GT	HOSE ASSY,1/4",202.00.....	1
12	139128GT	HOSE ASSY,1/4",236.00.....	1
13	42859GT	HOSE ASSY,1/4",236.00.....	1
14	139083GT	HOSE ASSY,1/4",213.00.....	1
15	74840GT	HOSE ASSY,1/4",213.00.....	1
16	139080GT	HOSE ASSY,1/4",83.00.....	1
17	42861GT	HOSE ASSY,1/4",83.00.....	1
18	48916GT	CONN, 520120-6.....	1
19	48905GT	CONN,520120-4***.....	1
20	48927GT	CONN,520120-6-4.....	1
21	48890GT	FITTING,TEE,BRANCH,520429-4***.....	1
22	48912GT	CONN,520120-4-6***.....	1
23	49418GT	FITTING,ELBOW,45D,520320-4-6**.....	1
24	48933GT	CONN,520120-8***.....	1

706.1 Hydraulic Power Unit



Item	Part No.	Description	Qty.
1	48504GT	MOTOR,FUNCTION,48V DC.....1 <i>includes items 2-6</i>	1
--	44777GT	BEARING,MOTOR.....1	1
--	44778GT	BEARING,MOTOR,36843,BRUSH END*.....1	1
--	52915GT	BRUSH LEAD ASSEMBLY KIT(48504)...1	1
--	58934GT	BRUSH BOX ASSEMBLY.....1 <i>includes item 2</i>	1
2	44750GT	SPRING-BRUSH,40844, SCISSORS....4	4
3	58936GT	BRUSH COVER -PLATE-(48504)*.....4	4
4	58932GT	BRUSH SET 4 EA.....4	4
5	52913GT	SCREW,HH TAPETITE THRD8-32X.50.....4	4
6	52914GT	SCREW,HHTAPTITE THREAD8-32X.38.....4	4
7	32317GT	SCREW,HHC,3/8-24 X 1 GR 8 YEL.....2	2
8	6021GT	WASHER,LOCK,.375.....2	2
9	77981GT	PUMP,LIFT,3CC,CCW***.....1	1
--	77990GT	KIT,SEAL,3CC PUMP***.....1	1

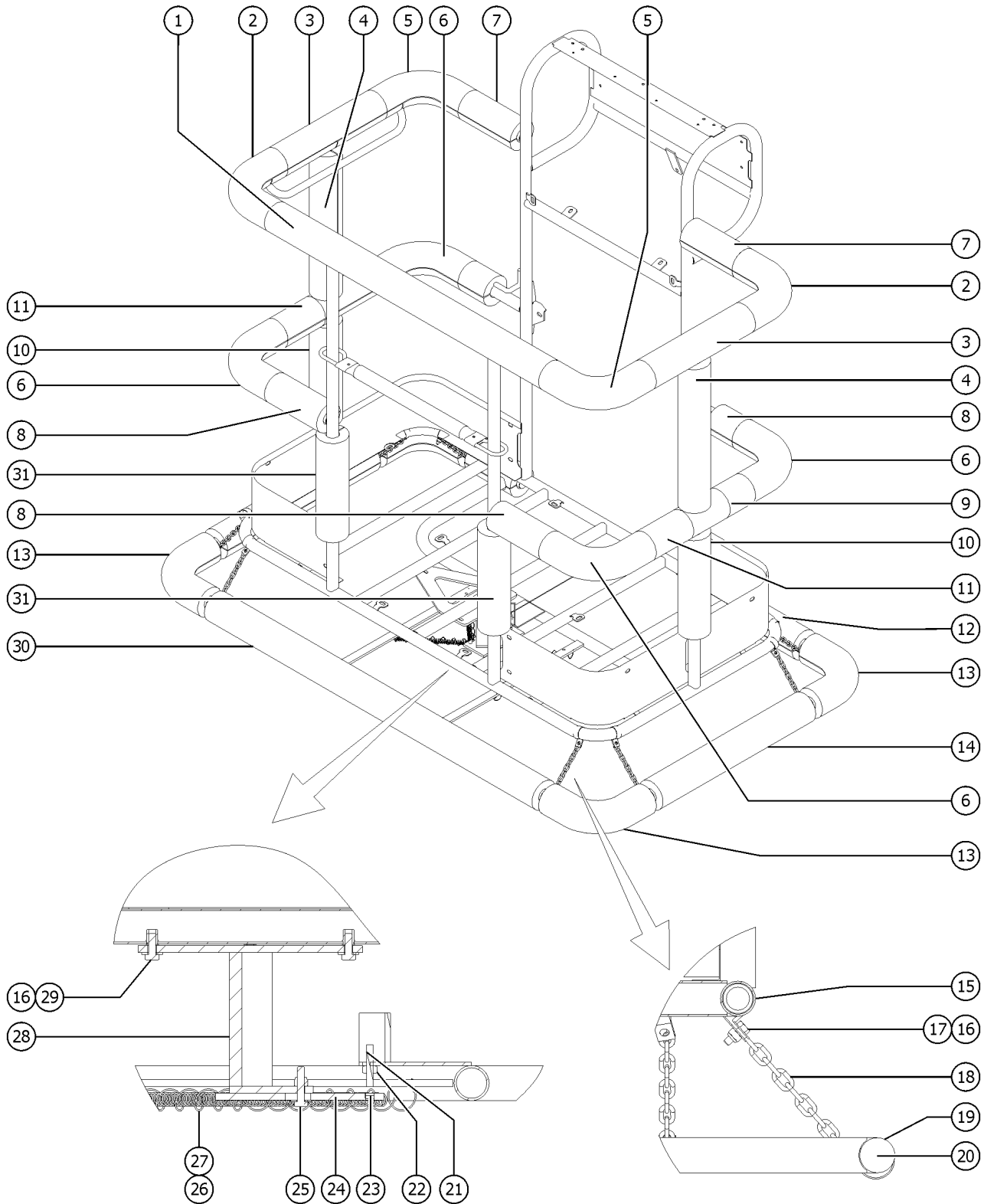
801.1 Air Line to Platform



801.1 Air Line to Platform

Item	Part No.	Description	Qty.
1	52960GT	AIRLINE ASSY W/FITTINGS, Z34BE.....1	
2	27900GT	BULKHEAD,FEMALE X 6 X 6.....2	
3	824116GT	WASHER, FLAT, F436, 1.0, ZAG.....2	
4	49215GT	MPT,CPLR,1/4"SER,3/8"X18.....1	
5	27894GT	PLUG,1/4"SERIES,3/8 MPT.....1	

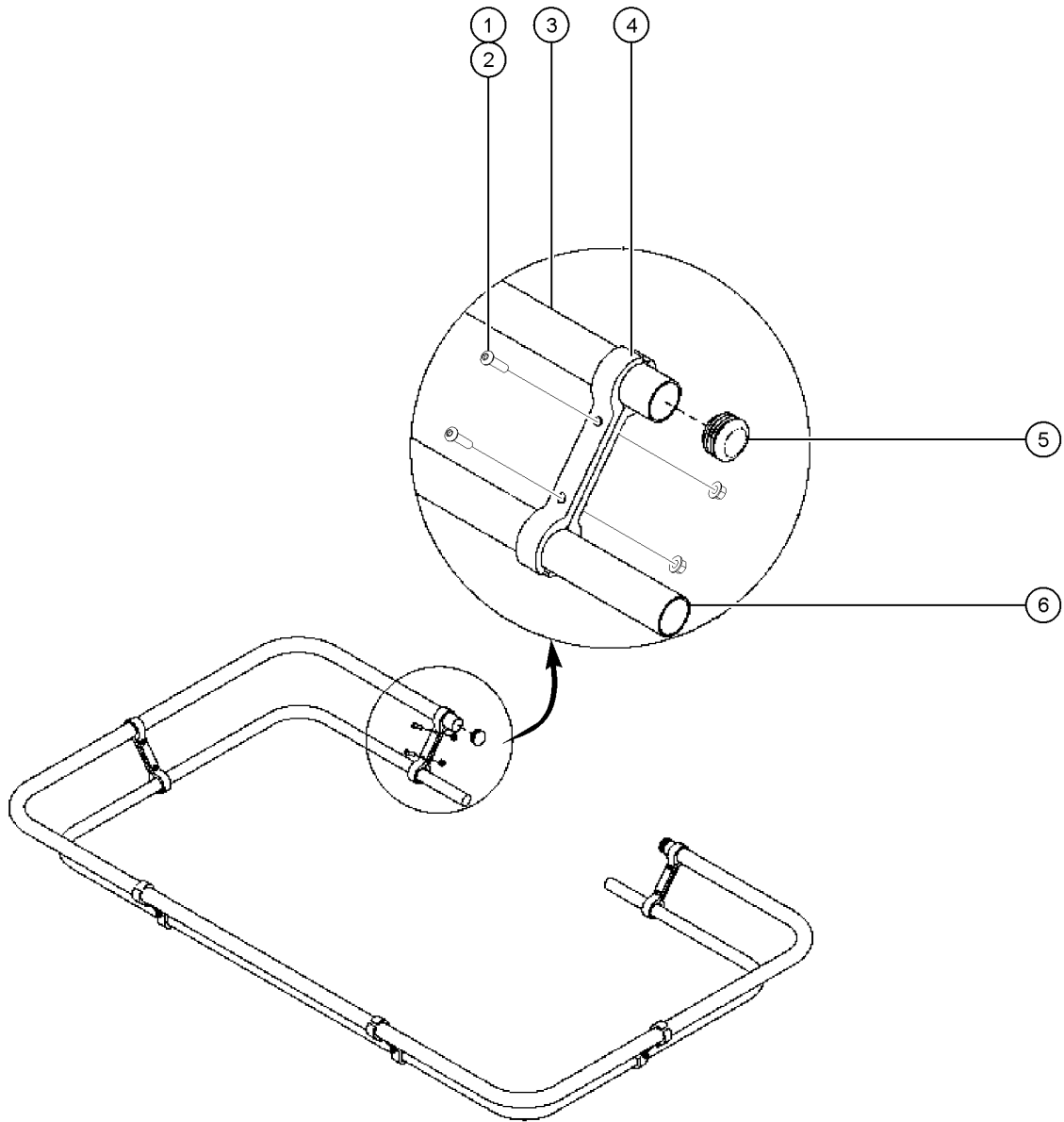
802.1 Aircraft Protection



802.1 Aircraft Protection

Item	Part No.	Description	Qty.	Item	Part No.	Description	Qty.
--	128200GT	SWITCH TOGGLE ASSY SPDT 3P MOM.....1 <i>not shown; refer to 602.1</i>	1	30B	825210GT	BUMPER,3.5OD X 1.5ID X 48.70.....1 <i>5-ft platform</i>	1
1A	1251590GT	BUMPER,3.5OD X 1.5ID X 30.75.....1 <i>4-ft platform</i>	1	31	1252011GT	BUMPER,3.5OD X 1.5 ID X 9.75.....1	1
1B	825211GT	BUMPER,3.5OD X 1.5ID X 40.75.....1 <i>5-ft platform</i>	1				
2	147000GT	PADDING, FOAM 90 DEG.....2	2				
3	825207GT	BUMPER,3.5OD X 1.5ID X 14.75.....2	2				
4	825213GT	BUMPER,3.5OD X 1.5ID X 15.65.....2	2				
5	147001GT	PADDING, FOAM 90 DEG.....2	2				
6A	1252013GT	BUMPER,3.5OD X 1.5 ID 90 DEG.....4 <i>4-ft platform</i>	4				
6B	56418GT	BUMPER,90 DEG ELBOW.....4 <i>5-ft platform</i>	4				
7A	1251592GT	BUMPER,3.5OD X 1.5ID X 2.75.....2 <i>4-ft platform</i>	2				
7B	825216GT	BUMPER,3.5OD X 1.5ID X 7.75.....2 <i>5-ft platform</i>	2				
8	825215GT	BUMPER,3.5OD X 1.5ID X 3.80.....8	8				
9	1252012GT	BUMPER,3.5OD X 1.5 ID X 6.75.....2	2				
10	825212GT	BUMPER,3.5OD X 1.5ID X 12.75.....2	2				
11	1251592GT	BUMPER,3.5OD X 1.5ID X 2.75.....2	2				
12	825209GT	BUMPER,3.5OD X 1.5ID X 6.75.....2	2				
13	56418GT	BUMPER,90 DEG ELBOW.....4	4				
14	825214GT	BUMPER,3.5OD X 1.5ID X 22.70.....2	2				
15	56424GT	CLAMP,1.25X.5 RUBBER-CUSHION...16	16				
16	824078GT	SCREW,HHF,1/4-20X.75,8,ZAG.....16	16				
17	824027GT	NUT,TL FLG,1/4-20,G,ZAG.....16	16				
18	56426-576GT	CHAIN,NO.2 (9LINKS).....8	8				
19	56351GT	WELDMENT,FLOATING BUMPER.....1	1				
20	45385GT	PLUG,NYLON 1.12 BLACK DOMED.....2	2				
21	139643GT	HARNES, PROX. KILL.....1	1				
--	27391GT	PROXIMITY SENSOR***.....1	1				
--	34052GT	RELAY,SPDT,12V(AUTO) PLUG IN**.....1	1				
--	56302GT	RELAY,24VDC,40/30A,SEALED***.....1	1				
22	88390GT	NUT,HEX,M8,PLASTIC.....1	1				
23	29261GT	MAGNET,NEODYMIUM,.375 X .100.....2	2				
24	56330GT	PLATE,MAGNET MOUNT.....1	1				
25	824080GT	SCREW,HHF,1/4-20X1.25,8,ZAG					
26	88385GT	SPRING, SS, 1/2-EO500-49-4500.....4	4				
27	56425GT	SPRING,EXTENSION,.75X4.5.....4	4				
28	56328GT	WELDMENT,SENSOR BRACKET.....1	1				
29	23404GT	NUTSERT,1/4-20,STEEL CAD PLTD.....1	1				
30A	1251591GT	BUMPER,3.5OD X 1.5ID X 38.75.....1 <i>4-ft platform</i>	1				

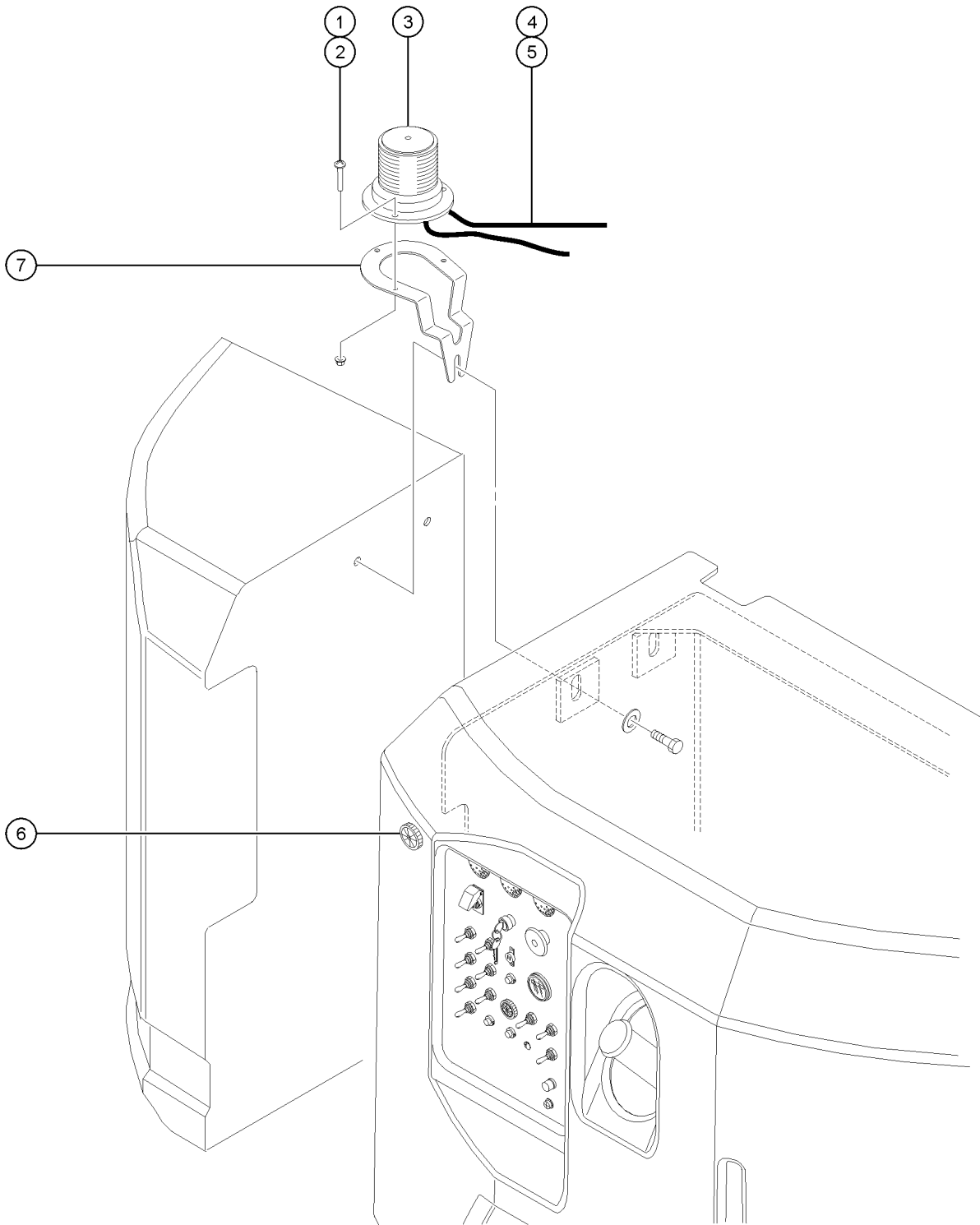
803.1 Auxiliary Rail Assembly



803.1 Auxiliary Rail Assembly

Item	Part No.	Description	Qty.
1	1259715GT	SCREW,BHTC,1/4-20X1,ZAG.....	12
2	824027GT	NUT,TL FLG,1/4-20,G,ZAG.....	12
3A	T112779GT	KIT, AUX. RAIL, 4' PLATFORM..... <i>includes items 1, 2, 4, 5</i>	1
3B	T112780GT	KIT, AUX. RAIL, 5' PLATFORM..... <i>includes items 1, 2, 4, 5</i>	1
4	122073GT	SUPPORT, RAILING.....	12
5	55753GT	BUMPER, PLASTIC, 1.25 O.D.....	2
6		Ref. PLAT RAIL ASSY <i>refer to 601.1</i>	

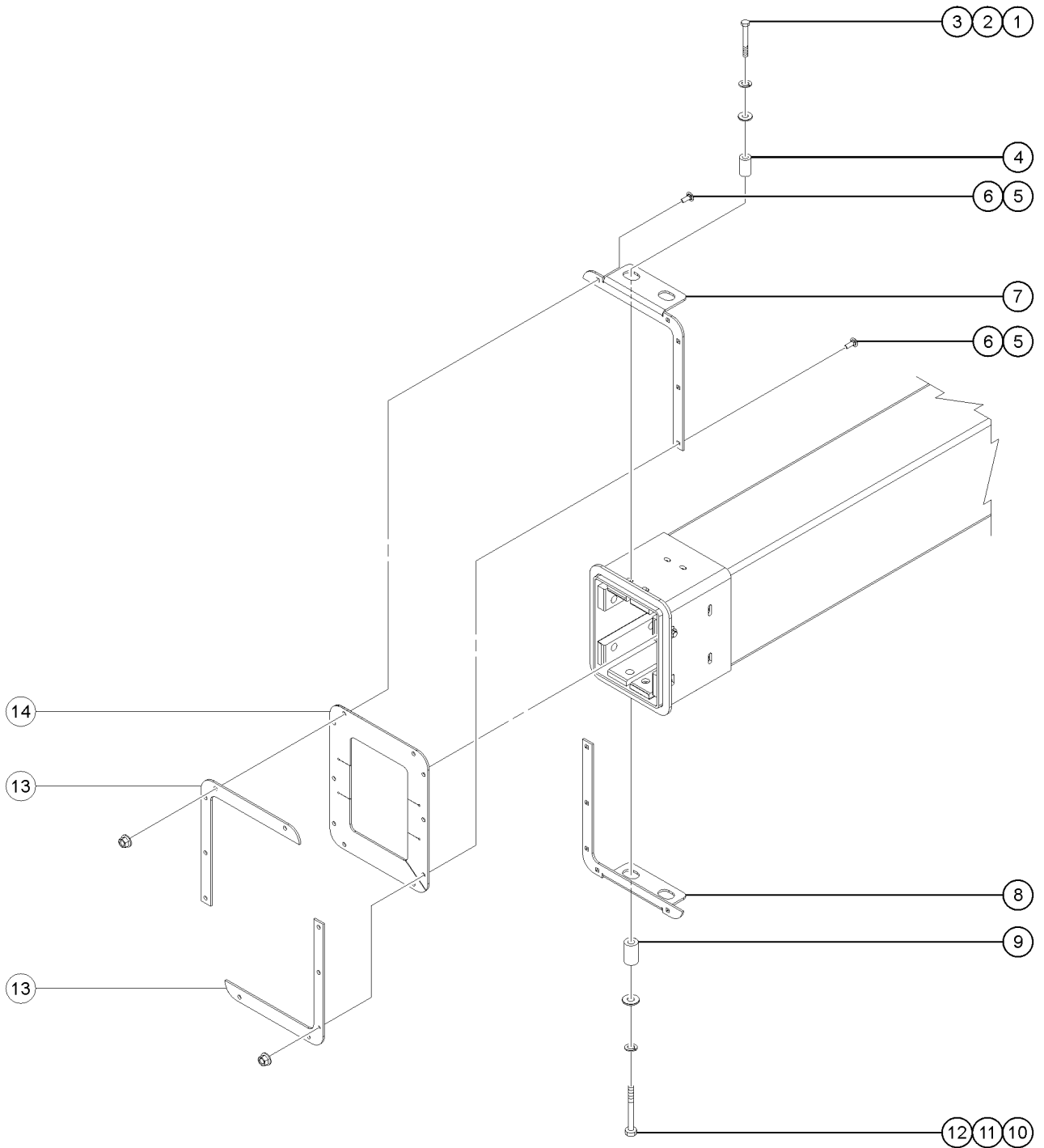
804.1 Flashing Beacon and Alarm



804.1 Flashing Beacon and Alarm

Item	Part No.	Description	Qty.
--	36816-SGT	ACC. Z34 ALARM PACKAGE DC.....1 <i>Z-34/22N and Z-34/22 DC</i>	
1	824215GT	SCREW,PHPM,10-32X.75,ZAG.....3	
2	824032GT	NUT,TL FLG,10-32,F,ZAG.....3	
3	56704GT	STROBE,FIREBOLT,12-80VDC,AMB**...1 <i>includes red and black wire</i>	
4	56051GT	WIRE CABLE,16/2,WHT/BLK,SJEOW.62-inches <i>Z-34/22N and Z-34/22 DC</i>	
5	40609GT	TERMINAL,FEMALE COUPLER,BLUE...2	
6	45462GT	ALARM,CHIME TONE 5-25VDC***.....1 <i>plastic nut not included</i>	
--	72326GT	NUT - PLASTIC,RING FOR ALARMS.....1	
7	56289GT	BRACKET,BEACON LIGHT.....1	

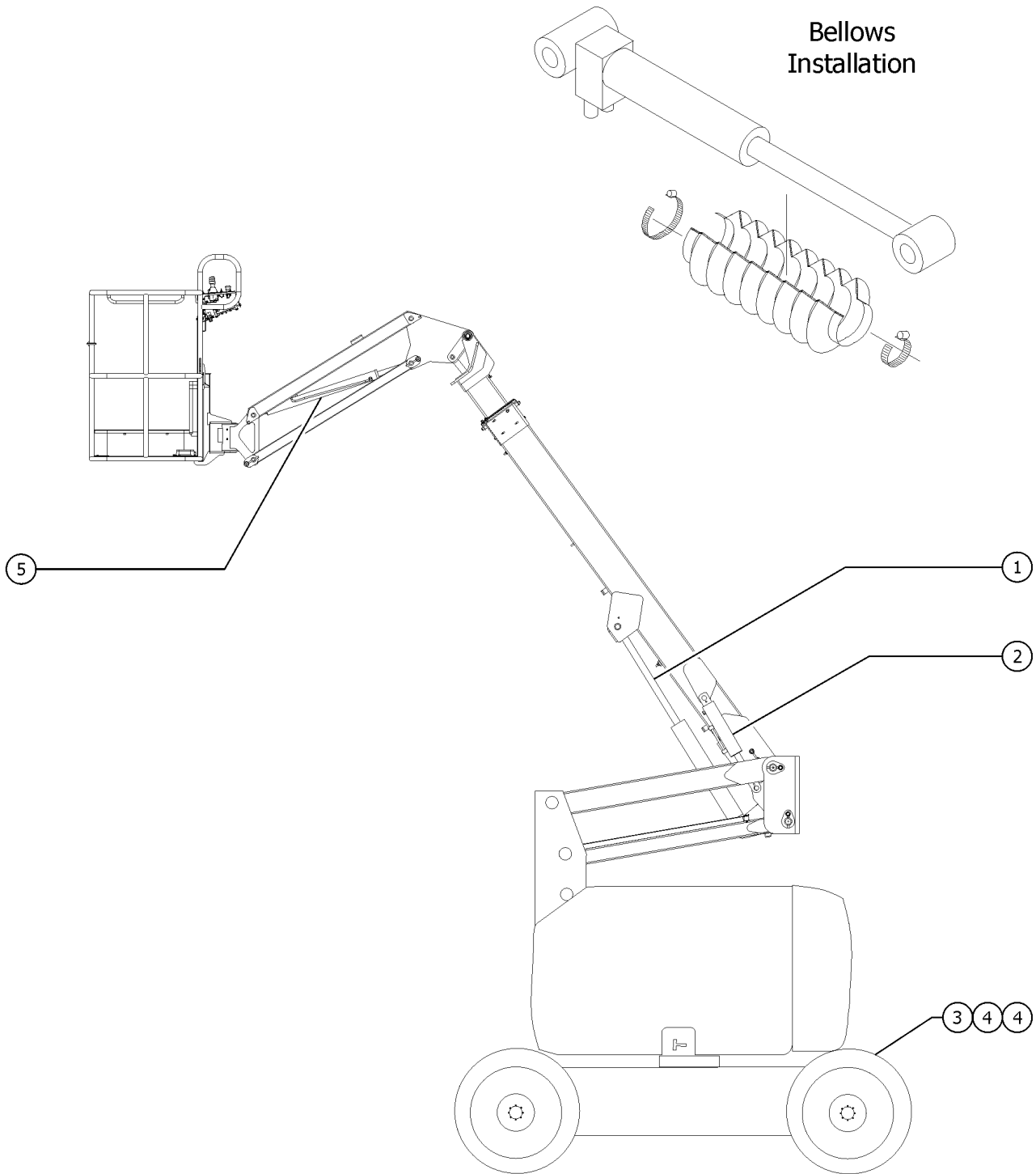
805.1 Hostile Environment, Wiper



805.1 Hostile Environment, Wiper

Item	Part No.	Description	Qty.
--	128677GT	KIT, WIPER.....	1
1	1252978GT	SCREW,HHC,3/8-16X2.25,8,ZAG.....	2
2	824110GT	WASHER,LOCK,3/8,ZAG.....	2
3	825358GT	WASHER,FLAT,5/16,USS,ZAG.....	2
4	128852GT	TUBE,RD,STL,DOM,,.75X.438X1.25.....	2
5	824124GT	BOLT,CARRIAGE,1/4-20X.75,5,ZAG.....	10
6	824027GT	NUT,TL FLG,1/4-20,G,ZAG.....	10
7	128681GT	FORMING, WIPER MOUNT.....	1
8	128682GT	FORMING, WIPER MOUNT.....	1
9	119077GT	TUBE,RD,STL,DOM,,.75OD X .375ID.....	2
10	824064GT	SCREW,HHC,1/4-20X2.25,8,ZAG.....	2
11	824109GT	WASHER,LOCK,1/4,ZAG.....	2
12	824113GT	WASHER,FLAT,USS,1/4,ZAG.....	2
13	128973GT	PLATE,WIPER BACKING.....	2
14	147181GT	WIPER,PRIMARY BOOM.....	1

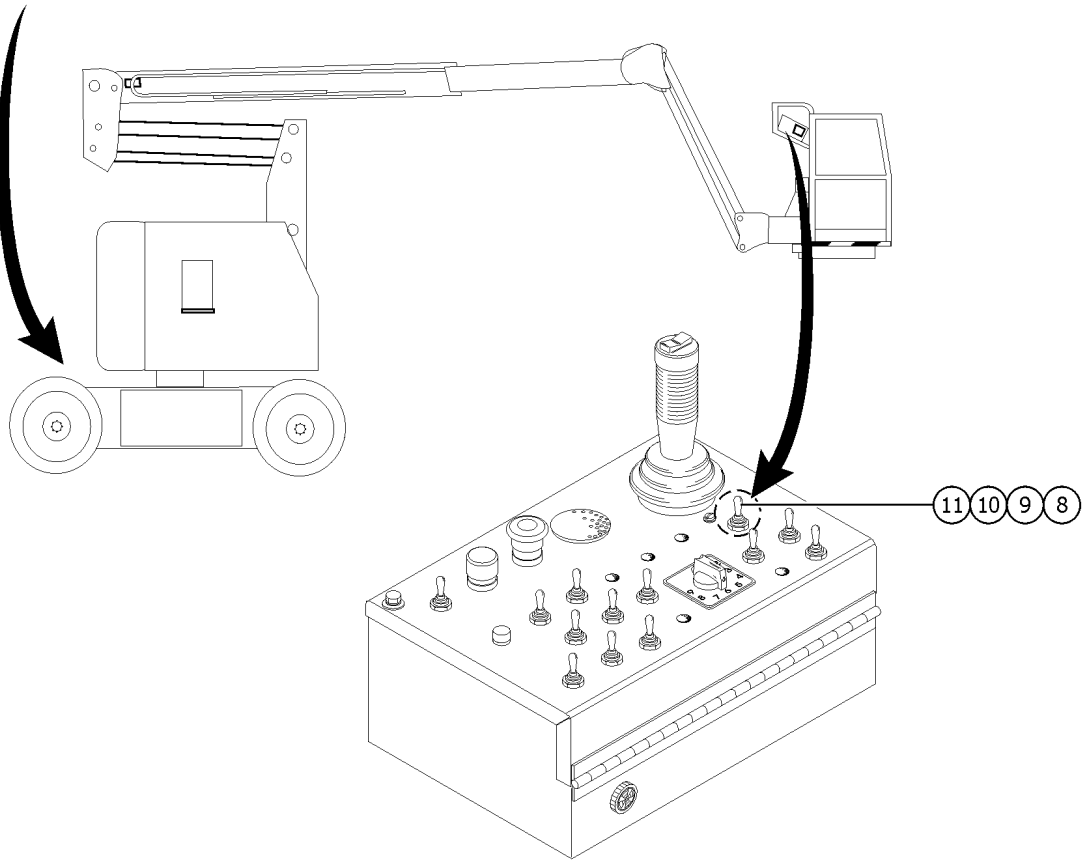
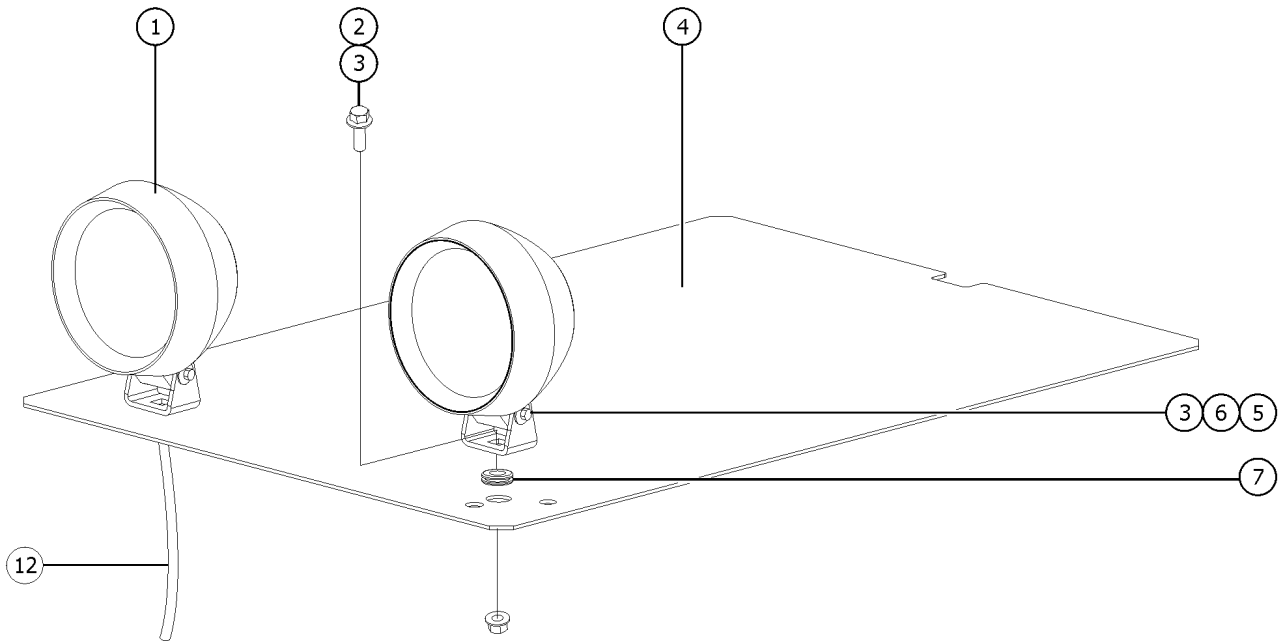
806.1 Hostile Environment, Cylinder Bellows



806.1 Hostile Environment, Cylinder Bellows

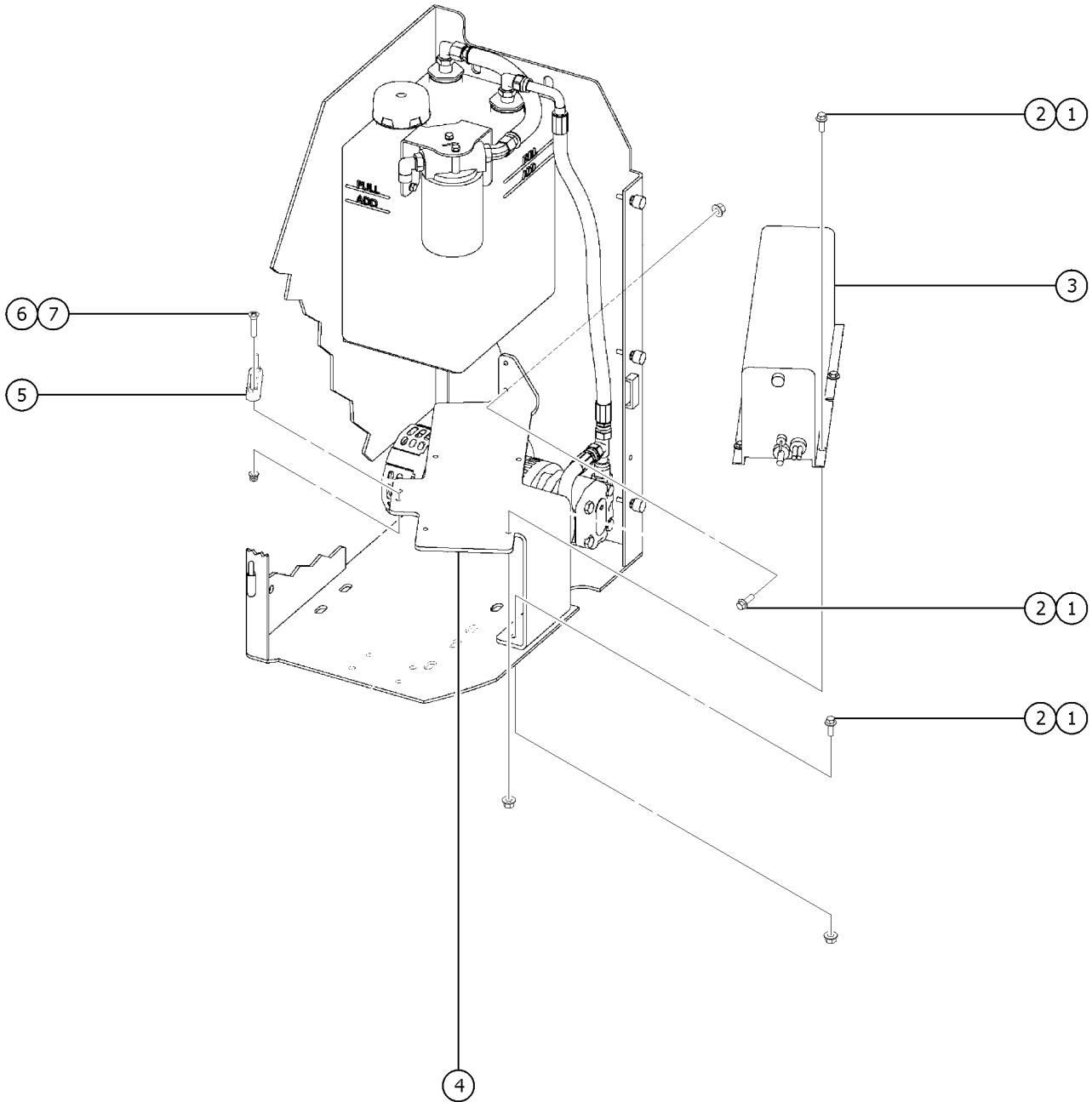
Item	Part No.	Description	Qty.
A	128838GT	KIT, CYLINDER BELLOWS	
--	30489GT	CLAMP,HOSE,3.50.....5 <i>not shown</i>	
--	30577GT	COVER,PROTECTIVE,MASTER/SLAVE.1 <i>not shown</i>	
--	30971GT	CLAMP,HOSE,3.00".....1 <i>not shown</i>	
--	35434GT	CLAMP,HOSE,2.00***.....6 <i>not shown</i>	
1	94461GT	BELLOWS,PRIMARY/ELEV CYLINDER.....2	
2	94463GT	BELLOWS,MASTER CYLINDER.....1	
3	54989GT	BELLOWS,STEERING CYLINDER.....1 <i>not shown</i>	
4	1263699GT	SCREW,HHC,3/8-16X.5,8,ZAG.....2 <i>not shown</i>	
5	94462GT	BELLOWS,JIB CYLINDER.....1	

807.1 Drive Light



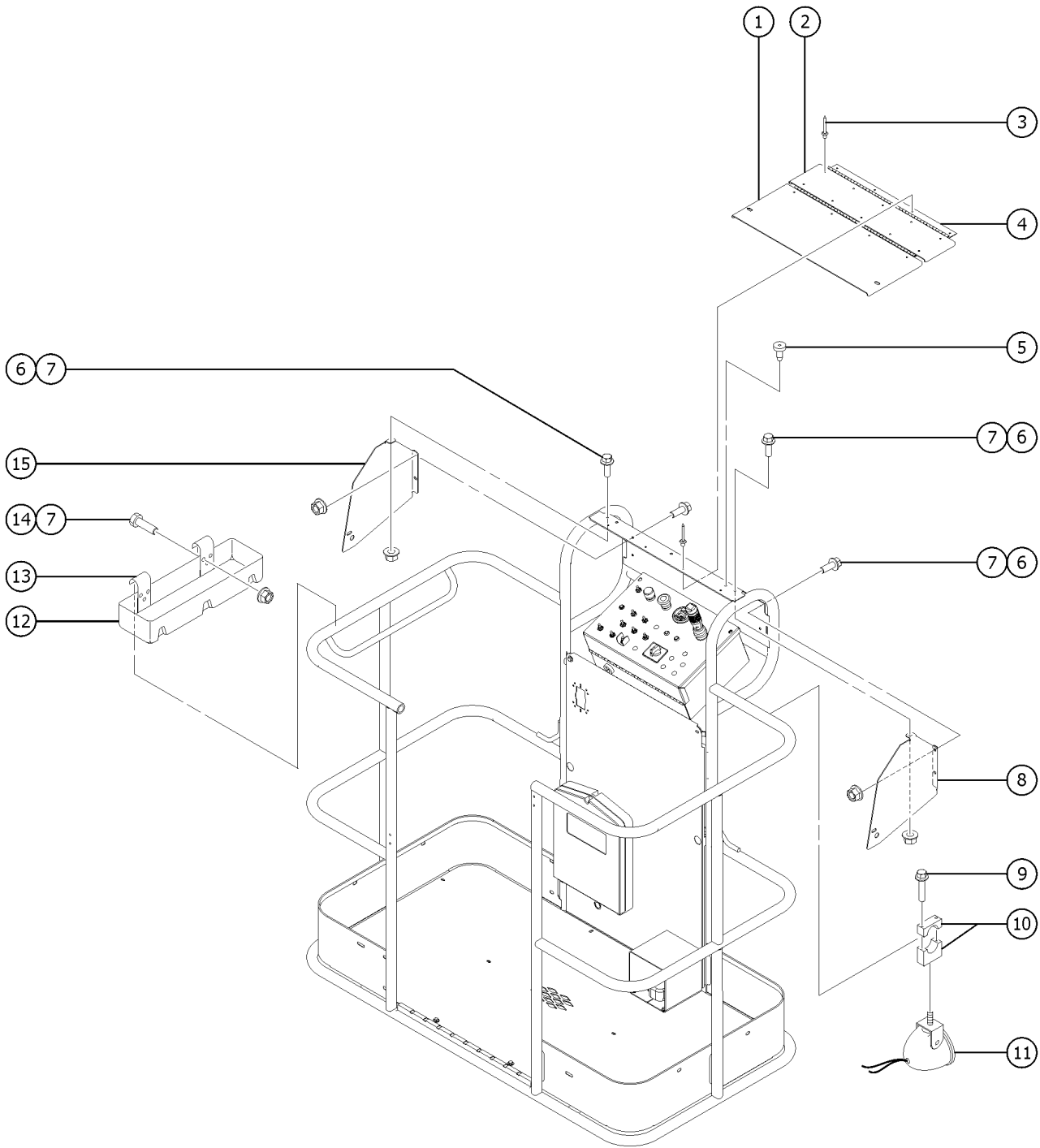
Item	Part No.	Description	Qty.
--	823944GT	OPTION,DRIVE LIGHTS,Z34DC	
1	107858GT	WORKLIGHT,48 VOLT.....	2
2	824085GT	SCREW,HHF,5/16-18X.75,8,ZAG.....	2
3	824028GT	NUT,TL FLG,5/16-18,G,ZAG.....	4
4	128968GT	COVER, DR LIGHT OPTION.....	1
5	825674GT	SCREW, HHC, 5/16-18X2,8,ZAG.....	2
6	825358GT	WASHER,FLAT,5/16,USS,ZAG.....	2
7	53517GT	GROMMET,RUBBER .5 X .014 X .75.....	2
8	78098GT	RELAY,24VDC,40/30A,SLD W/BRKT*.....	1
		<i>not shown</i>	
--	54365GT	SCREW,PHIL,PHM,10-32 X .5,SSTL	
		<i>not shown</i>	
--	824032GT	NUT,TL FLG,10-32,F,ZAG	
		<i>not shown</i>	
9	72867GT	DECAL,LABEL,LIGHTS***.....	1
		<i>not shown</i>	
10	128205GT	SWITCH TOGGLE ASSY DPDT 2P	
		MNT.....	1
--	27246GT	BOOT,TOGGLE SWITCH,SHORT*	
11	6578GT	CABLE TIE,7 3/8".....	2
12	823948GT	HARNES, DRIVE LIGHTS, 48V.....	1
		<i>includes worklight</i>	
--	23083-SGT	FUSE HOLDER,WATERPROOF.....	1
--	27489GT	FUSE,7 AMP.....	1
--	823226GT	POWER RELAY, 24V COIL.....	1

808.1 Inverter, 120V



Item	Part No.	Description	Qty.
--	78098GT	RELAY,24VDC,40/30A,SLD W/BRKT*.....1	
--	32149GT	WELDING CABLE #2 RED.....72-inches	
--	66717GT	FUSE BLOCK, ANN & ANL FUSE.....1	
--	36355GT	FUSE,100 AMP,VERY FAST ACTING.....1	
1	824079GT	SCREW,HHF,1/4-20X1,8,ZAG.....8	
2	824027GT	NUT,TL FLG,1/4-20,G,ZAG.....8	
3	150026GT	INVERTER,48VDC,120VAC/60HZ.....1	
4	128102GT	FORMING, INVERTER MT.....1	
5	66717GT	FUSE BLOCK, ANN & ANL FUSE.....1	
6	824225GT	SCREW,FHPM,10-32X.75,ZAG.....2	
7	23405GT	NUTSERT,10-32 STEEL CAD PLTD.....2	

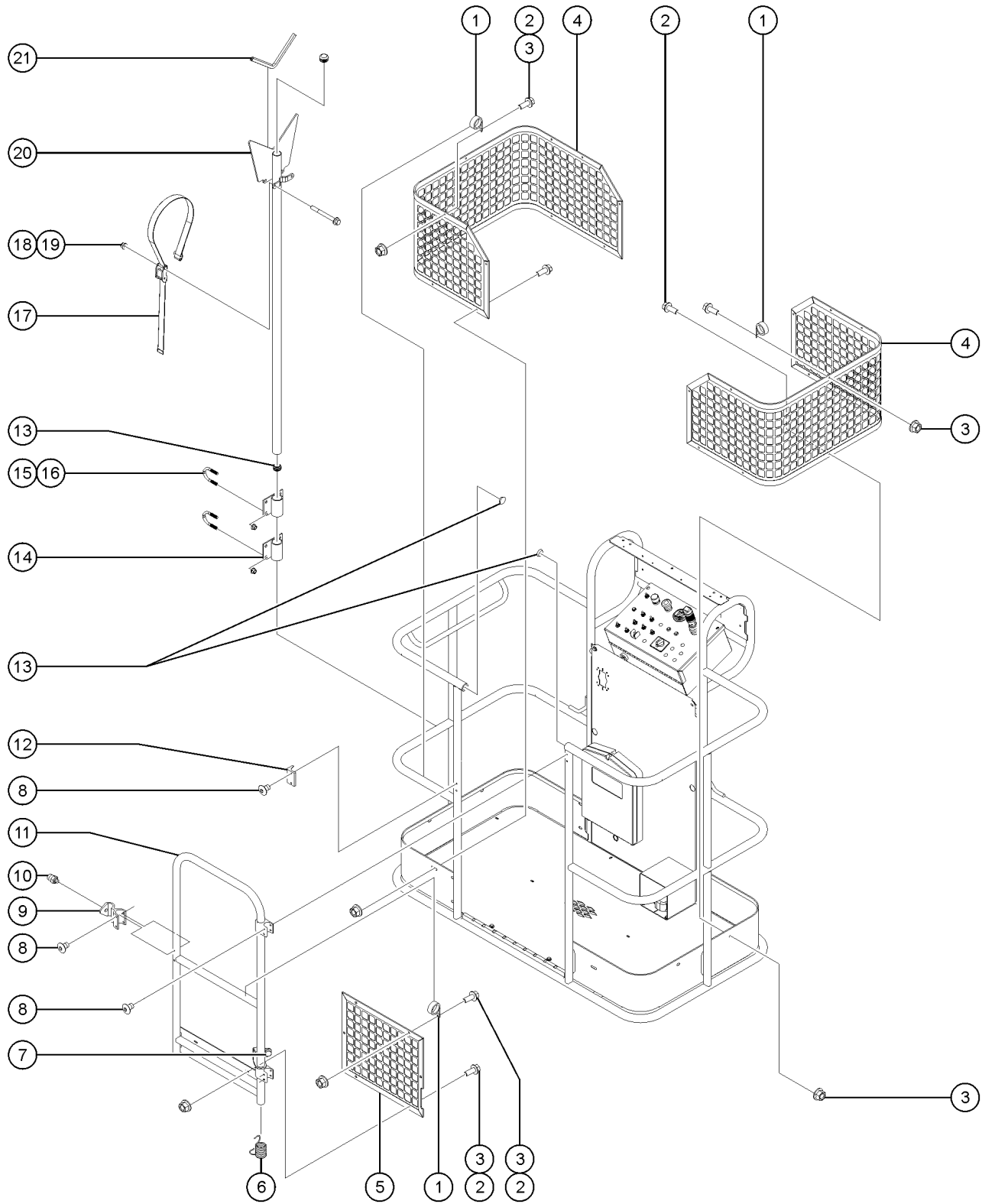
809.1 Platform Control Box Cover, Tool Tray and Work Light



809.1 Platform Control Box Cover, Tool Tray and Work Light

Item	Part No.	Description	Qty.
--	101649GT	OPTION,CONTROL BOX COVER.....1 <i>includes items 1-8, 15</i>	1
--	823942GT	OPTION,WORKLIGHTS,48V.....1 <i>includes items 9-11</i>	1
--	9599-SGT	TOOL TRAY ACCESSORY***.....1 <i>includes items 7, 12-14</i>	1
1	101679GT	LID,CONTROL BOX COVER.....1	1
2	101678GT	LID,CONTROL BOX COVER.....1	1
3	87085GT	RIVET,ALUM,P,188 X .25.....18	18
4	77860GT	HINGE,CONTROL BOX.....2	2
5	34619GT	BUMPER,RUBBER***.....6	6
6	824078GT	SCREW,HHF,1/4-20X.75,8,ZAG	
7	824027GT	NUT,TL FLG,1/4-20,G,ZAG	
8	101676GT	CONTROL BOX COVER, RH.....1	1
9	824081GT	SCREW,HHF,1/4-20X1.5,8,ZAG.....2	2
10	35956GT	BRACKET,WORK LIGHT MOUNT 5/16".....2	2
11	107858GT	WORKLIGHT,48 VOLT.....2	2
--	823226GT	POWER RELAY, 24V COIL	
12	9599-SGT	TOOL TRAY ACCESSORY***.....1	1
13	7746P-SGT	TOOL TRAY BRCKT, GRAY,SERVICE....2	2
14	824059GT	SCREW,HHC,1/4-20X.75,8,ZAG.....6	6
15	101677GT	CONTROL BOX COVER, LH.....1	1

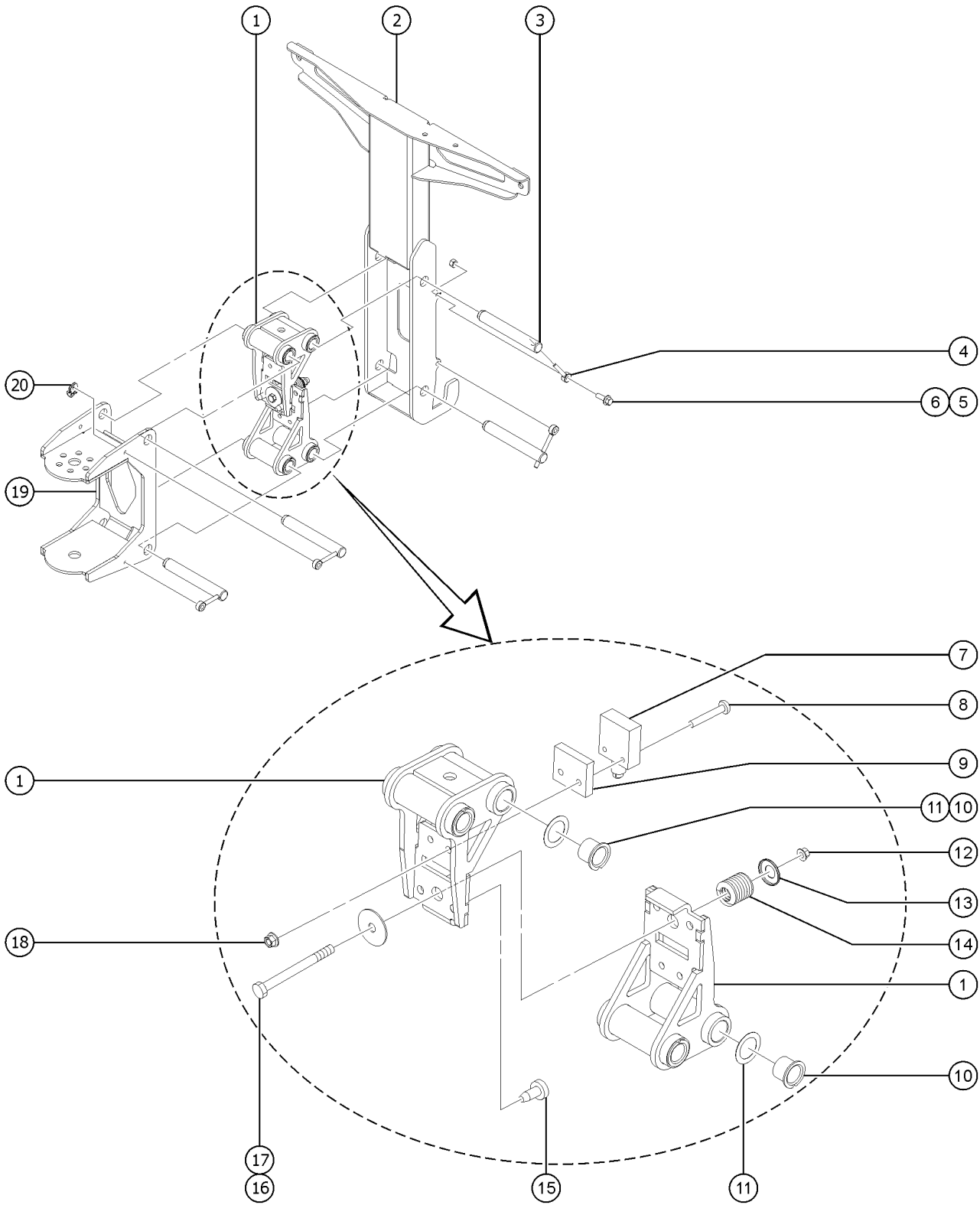
810.1 Platform Half Mesh, Swing Gate and Pipe Cradle



810.1 Platform Half Mesh, Swing Gate and Pipe Cradle

Item	Part No.	Description	Qty.
A	85300GT	PIPE CRADLE ASSY. SERV (ONE)** (ANSI & CE only) (This is a single assembly. Qty 2 of 85300GT required to complete a set)	
--	65630GT	INSTRUCTIONS-PIPE CRADLE,BOOMS	
B	119950GT	KIT,FIELD INSTALL,SWING GATE.....1 <i>includes items 6-13</i>	
1	56424GT	CLAMP,1.25X.5 RUBBER-CUSHION....23	
2	824078GT	SCREW,HHF,1/4-20X.75,8,ZAG	
3	824027GT	NUT,TL FLG,1/4-20,G,ZAG	
4A	74009GT	MESH,HALF HEIGHT RH,4***.....2	
4B	74007GT	MESH,HALF HEIGHT,5***.....2	
5	54457GT	MESH,HALF,SWING GATE***.....1	
6	42104GT	SPRING,SHORT PLATFORM GATE.....1	
7	43392GT	BUMPER,BATTERY BOX & RAILS.....1	
8	824207GT	RIVET, STL, STL, DOME, 1/4 X .375, ZAG	
9	1487GT	GATE LATCH CASTING--DRILLED.....1	
10	33674GT	PIN,LOCK,SHORT***.....1	
11	128374GT	WELDMENT,SWING GATE,ALUMINUM.....1	
--	9596GT	HINGE CASTING.....2	
12	1488GT	RAILING CATCH CASTING--DRILLED...1	
13	55753GT	BUMPER, PLASTIC, 1.25 O.D.....6	
14	81368GT	WELDMENT,PIPE CRADLE MOUNT....4	
15	1251600GT	U-BOLT, FLATTENED, 1.5 X 3/8 UNC,ZAG.....8	
16	1274322GT	NUT,NYLOCK FLG,3/8-16,F,ZAG.....16	
17	56570GT	STRAP, CONDUIT HOLDER 60***.....2	
18	1277924GT	NUT,NYLOCK FLG,1/4-20,F,ZAG.....4	
19	824083GT	SCREW,HHF,1/4-20X2.5,8,ZAG.....4	
20	56525GT	WELDMENT, PIPE CRADLE.....2	
21	19018-1100GT	TRIMLOCK,BLACK,5/32".....2	

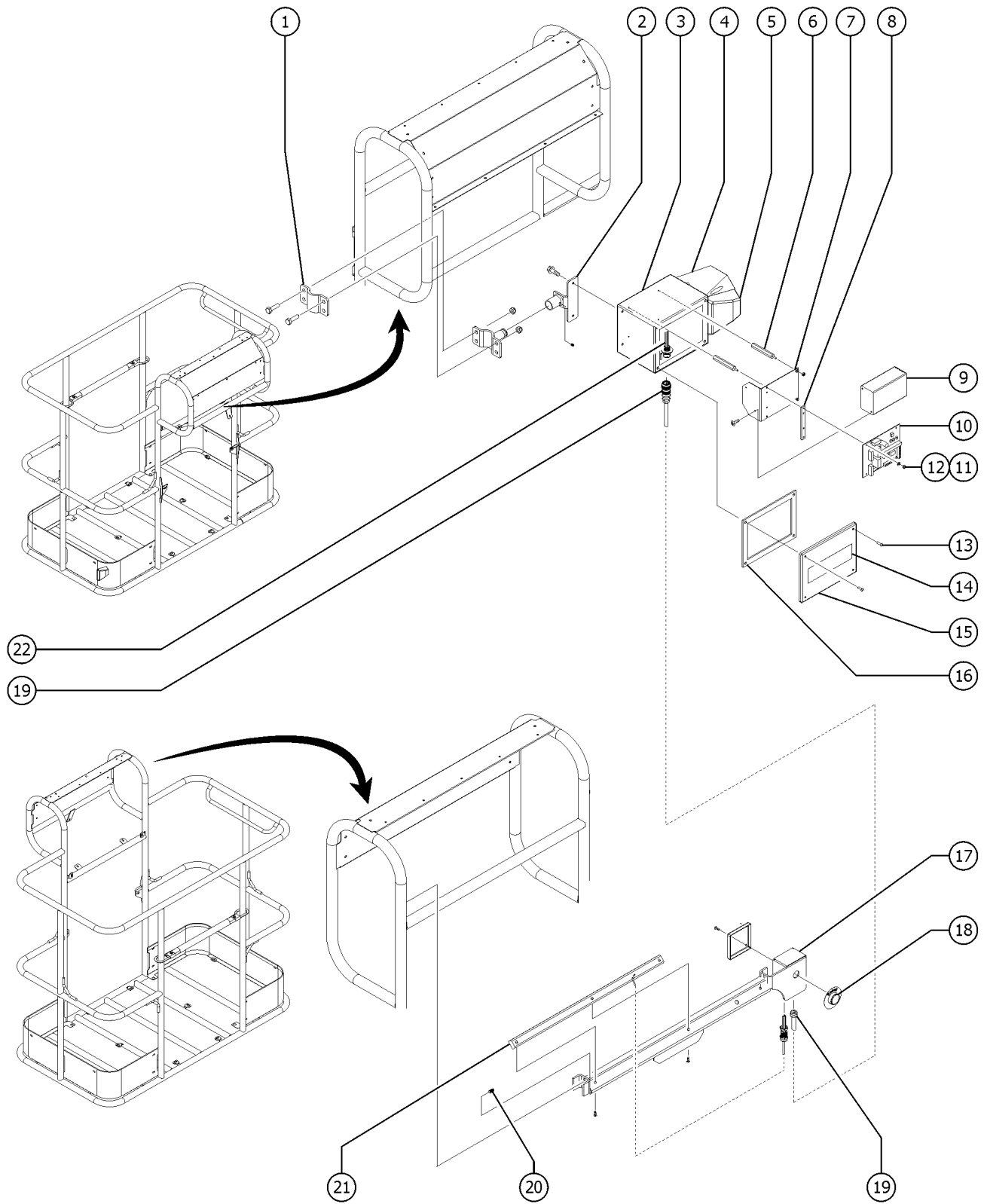
811.1 Platform Overload, CE and AUS



811.1 Platform Overload, CE and AUS

Item	Part No.	Description	Qty.
--	121848GT	ASSY,LS,LOAD SENSE,38.5 IN.....1	1
1	94191GT	WELDMENT,LOAD SUPPORT.....2	2
2	94176GT	WELDMENT,PLATFORM SUPPORT.....1	1
3	61726GT	PIN,0.75DIAX5.75LG,CHAMFER.....4	4
4	825020GT	ROD END, .25 X 2.75, ZAG.....4	4
5	824079GT	SCREW,HHF,1/4-20X1,8,ZAG.....4	4
6	824024GT	NUT,TL,1/4-20,C,ZAG.....4	4
7	61973GT	SWITCH,ROLLER PLUNGER LIMIT.....1	1
8	824216GT	SCREW,PHPM,10-32X1.5,ZAG.....2	2
9	61972GT	MOUNT,SWITCH.....1	1
10	25685GT	BEARING,GARLOCK,12FDU12.....8	8
11	110789GT	WASHER,SHIM .0151 THK.....8	8
12	824029GT	NUT,TL FLG,3/8-16,G,ZAG.....1	1
13	824208GT	RETAINER,SPRING,1.21X.375,ZAG.....1	1
14	61974GT	SPRING,COMP,1" OD,232 LB/IN.....1	1
15	34619GT	BUMPER,RUBBER***.....2	2
16	824070GT	SCREW,HHC,3/8-16X3.25,8,ZAG.....1	1
17	1268468GT	WASHER,FLAT,.406X1.50X.125,ZAG.....1	1
18	824032GT	NUT,TL FLG,10-32,F,ZAG.....2	2
19	94170GT	WELDMENT,ROTATOR SUPPORT.....1	1
20	45470GT	CLAMP,0.31,#5 X 1/4,RUB CUSH.....1	1

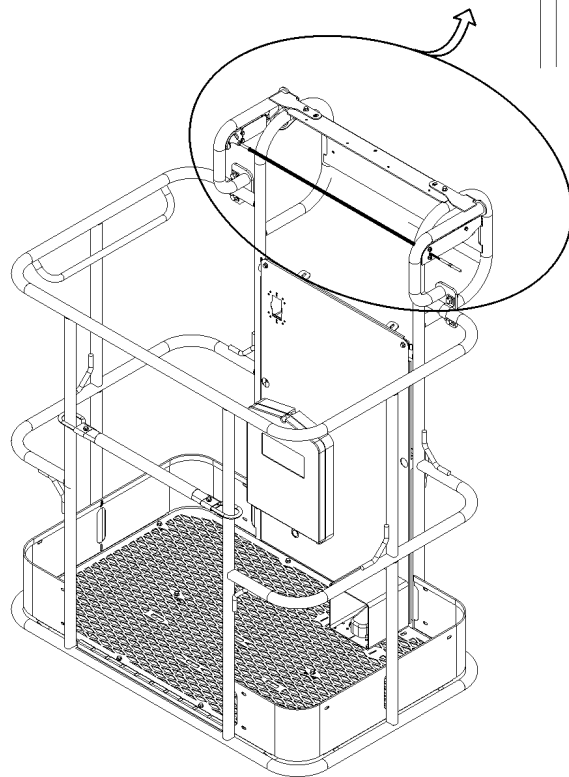
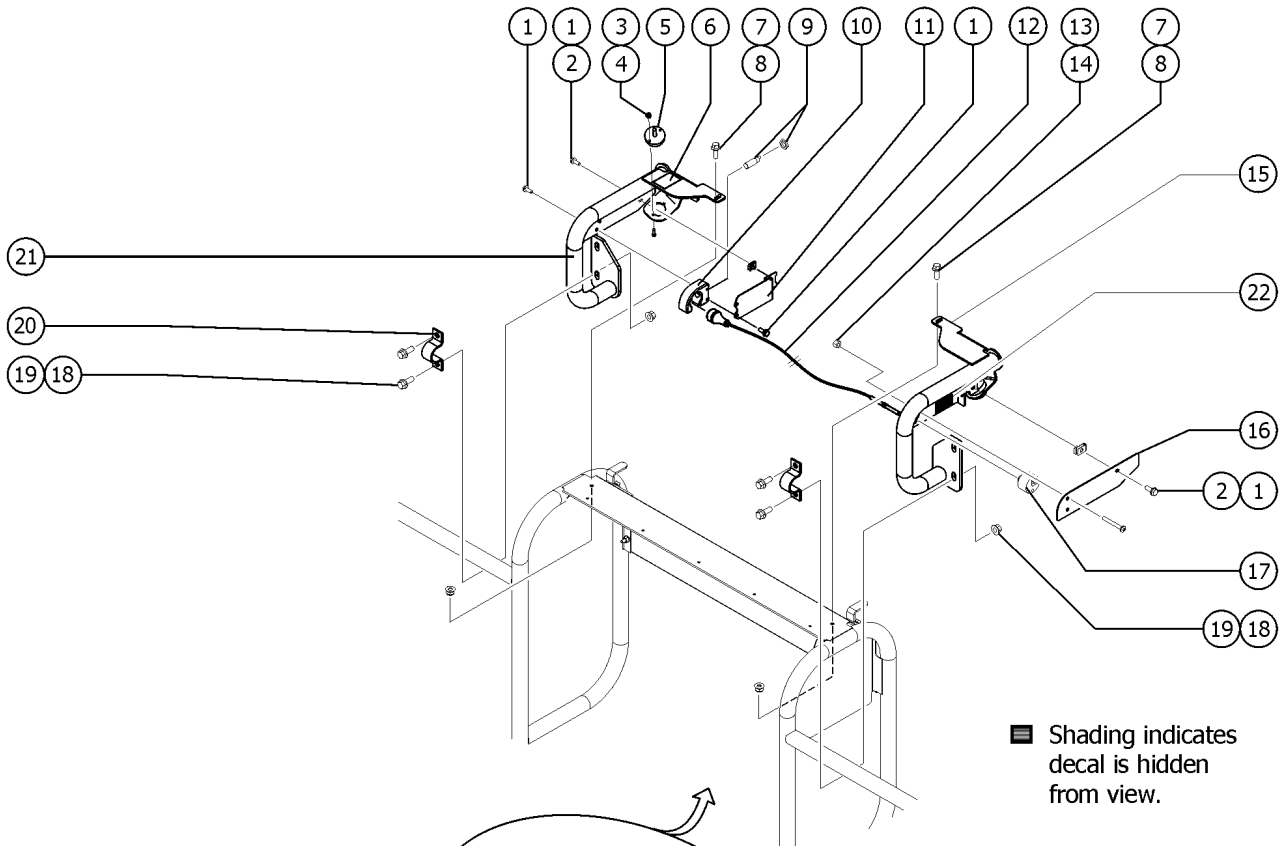
812.1 Operators Protection Alarm (to January 2017)



812.1 Operators Protection Alarm (to January 2017)

Item	Part No.	Description	Qty.
A	1255567GT	KIT,OPA,HW,24V,SB.....	1
--	1255030GT	PLUG,BLANKING	
--	1255471GT	ASSEMBLY,OPA,4'-5' PLAT	
--	1255858GT	HARN,PBOX,OPA,HW,24V	
1	1256149GT	CLAMP,HAND RAIL,OPA,4'-5'..... <i>includes fasteners</i>	1
2	1255026GT	ASSY,BRKT,CNTRL BOX W/FASTNRS.....	1
3	1255018GT	BASE ENCLOSURE,RED,OPA.....	1
4	1255021GT	SOUNDER,MIDI,OPA.....	1
5A	1255037GT	SOUNDER LENS, OPA, BLUE..... <i>(standard lens fitted to OPA)</i>	1
5B	1270116GT	SOUNDER LENS, OPA, RED.....	1
5C	1270117GT	SOUNDER LENS, OPA, AMBER.....	1
5D	1270118GT	SOUNDER LENS, OPA, CLEAR.....	1
6	1255028GT	STAND OFF,CONTROL UNIT.....	4
7	1255024GT	BRACKET,CONTROL UNIT.....	1
8	1255025GT	SPACER,HEAT SINK.....	1
9	1255023GT	ASSY,MODULE,CONTROL UNIT,OPA....	1
10	1255022GT	MODULE,CONTROL UNIT,PCB,OPA....	1
11	1255067GT	NUT,M4 NYLOCK.....	4
12	1255066GT	WASHER,M4 NYLON.....	4
13	1255038GT	SCREW,M5X16 BHD.....	4
14	1255027GT	WASHER,M5 NYLON.....	4
15	1255890GT	DECAL,COSMETIC,GENIE.....	1
16	1255020GT	LID ENCLOSURE,RED,OPA.....	1
17	1255019GT	GASKET,ENCLOSURE.....	1
18	1255488GT	ASSEMBLY,TAPESWITCH..... <i>4-ft and 5-ft platforms; includes j-box and fasteners</i>	1
19	1255036GT	ASSEMBLY RESET SWITCH.....	1
20	1255035GT	ASSEMBLY,CABLE,TAPESWITCH.....	1
21	1255889GT	DECAL,SYMBOL-READ THE MANUAL.....	1
22	1255489GT	SENSOR,RUBBER EDGE..... <i>4-ft and 5-ft platforms</i>	1
23	1255033GT	HARN,PIGTAIL,TAPESWITCH,OPA.....	1

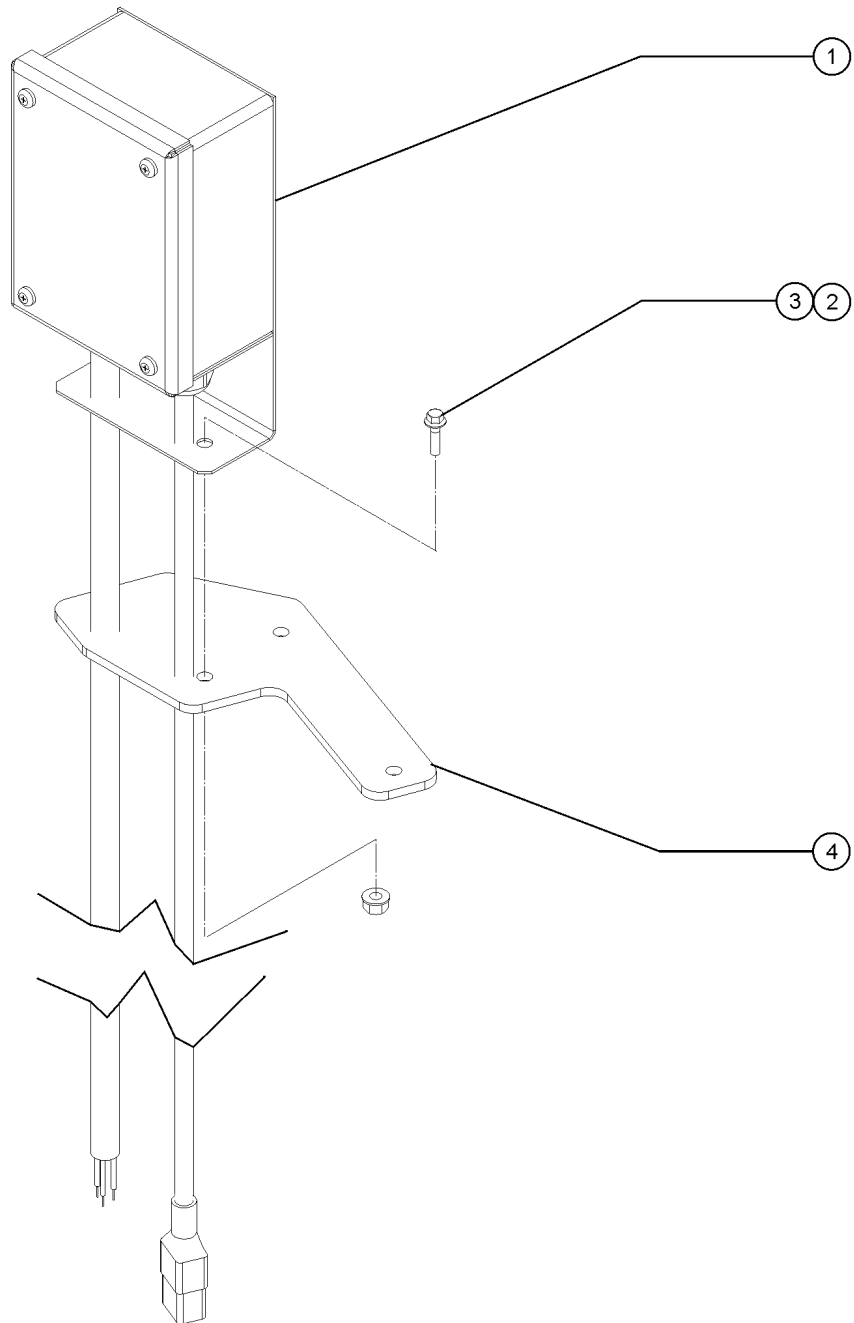
812.2 Lift Guard Contact Alarm (from January 2017)



812.2 Lift Guard Contact Alarm (from January 2017)

Item	Part No.	Description	Qty.
--		From January 2017, this option became a standard installation on all models unless the customer specifically request not to have it installed	
--	1279136GT	KIT,LIFT GUARD CONTACT ALARM,4'-5' PLATFORM	
--	1278450GT	HARNESS, CONTACT ALARM, Z30/34DC	
--	78098GT	RELAY,24VDC,40/30A,SLD W/BRKT*	
--	1278121GT	MODULE, PLUS+1, CONTACT ALARM <i>located inside the Platform Control Box</i>	
1	1264934GT	SCREW,HHF,10-24X.5	
2	73575GT	SPRING CLIP,10-24,.025-.125X.468,ZAG	
3	12344GT	NUT,NYLOCK,6-32	
4	1256859GT	SCREW,PHPM,6-32X.875,ZAG	
5	1278111GT	ASSEMBLY, LIGHT, CONTACT ALARM.....	2
6	1278542GT	DECAL, INSTRUCTION, CONTACT ALARM	
7	824078GT	SCREW,HHF,1/4-20X.75,8,ZAG	
8	1277924GT	NUT,NYLOCK FLG,1/4-20,F,ZAG	
9	1278119GT	ASSEMBLY, SENSOR, PROX, CONTACT ALARM.....	1
10	1278433GT	ASSY, SENSOR W/HOUSING <i>(Includes holder item 1277877 and sensor part 1278119)</i>	
--	1277877GT	HOLDER, SENSOR.....	1
11	1277873GT	FORMING, SENSOR HOLDER.....	1
12	1278417GT	ASSEMBLY, OPA CABLE, SMALL.....	1
--	1261184GT	NUT,1/4-20,8,ZAG <i>Part of assembly 1278417</i>	
--	1278124GT	MAGNET, 1/4-20, 15 LB. <i>Part of assembly 1278417</i>	
--	1278368GT	GRIP, CABLE <i>Part of assembly 1278417</i>	
--	1278459GT	OPA WIRE ASSY, SMALL <i>Part of assembly 1278417</i>	
13	825352GT	SCREW,PHPM,10-32X1.25,ZAG	
14	1264261GT	NUT,SERRATED,10-32,ZAG	
15	1278175GT	WELDMENT, RIGHT OPA, SMALL.....	1
16	1277875GT	PLATE, CABLE AND WIRE COVER.....	1
17	1277876GT	GUIDE, CABLE.....	1
18	1274322GT	NUT,NYLOCK FLG,3/8-16,F,ZAG	
19	824090GT	SCREW,HHF,3/8-16X1,8,ZAG	
20	1278363GT	CLAMP, 1.25 INCH TUBE.....	2
21	1278177GT	WELDMENT, LEFT OPA, SMALL.....	1
22	1278982GT	DECAL, INSTRUCTION, ACTUATOR SWITCH SOCKET.....	1

813.1 Charger Protector



813.1 Charger Protector

Item	Part No.	Description	Qty.
1	1272235GT	ASSY, VOLTAGE PROTECTOR BOX, Z30/34.....	1
2	824079GT	SCREW,HHF,1/4-20X1,8,ZAG.....	2
3	824027GT	NUT,TL FLG,1/4-20,G,ZAG.....	2
4	1276038GT	PLATE,CHARGER PROTECTOR.....	1

Part Number Index

The Part Number Index is a numeric index of all part numbers included in this manual. The index shows what page(s) the part is used on.

Part Number	Page	Part Number	Page	Part Number	Page	Part Number	Page
1000043GT	19	1251757GT	32	1274322GT	61, 107, 113	128818GT	45
101557GT	61	1252011GT	91	1274873GT	67	128825GT	35
101649GT	105	1252012GT	91	1276038GT	115	128838GT	99
101676GT	105	1252013GT	91	1277873GT	113	128852GT	97
101677GT	105	1252977GT	37	1277875GT	113	1288895GT	43
101678GT	105	1252978GT	97	1277876GT	113	128899GT	41
101679GT	105	1255018GT	111	1277877GT	113	128965GT	31-32
101965GT	49	1255019GT	111	1277924GT	71, 107, 113	128968GT	101
102992GT	67	1255020GT	111	1278111GT	51, 113	128973GT	97
106054GT	37	1255021GT	111	1278119GT	51, 113	13064GT	41
106055GT	37	1255022GT	111	1278121GT	113	13268GT	71
106117GT	31-32	1255023GT	111	1278124GT	113	133286GT	13, 21, 35
106120GT	31-32	1255024GT	111	1278175GT	113	13585GT	67
106121GT	31-32	1255025GT	111	1278177GT	113	139008GT	41
106122GT	31-32	1255026GT	111	1278363GT	113	139010GT	39
106123GT	31-32	1255027GT	111	1278368GT	113	139015GT	39
106124GT	31-32	1255028GT	111	1278417GT	113	139021GT	39
106125GT	31-32	1255030GT	111	1278433GT	113	139028GT	39
106126GT	31-32	1255033GT	111	1278450GT	51, 113	139033GT	39
106148GT	31-32	1255035GT	111	1278459GT	113	139034GT	39
106215GT	47	1255036GT	111	1278542GT	113	139035GT	39
106216GT	47	1255037GT	111	1278982GT	113	139036GT	39
106217GT	47	1255038GT	111	1279136GT	113	139037GT	39
106241GT	37	1255066GT	111	1280665GT	35	139038GT	39
106427GT	55	1255067GT	111	128102GT	103	139039GT	39
106433GT	59	1255471GT	111	128118GT	35	139079GT	85
106546GT	67	1255488GT	111	128200GT	49, 69, 91	139080GT	85
106547GT	67	1255489GT	111	128202GT	49	139081GT	81
106548GT	67	1255567GT	111	128203GT	49	139083GT	85
106549GT	67	1255758GT	47	128204GT	69	139128GT	85
106550GT	67	1255803GT	55	128205GT	101	139210GT	81
106551GT	67	1255805GT	31-32	128335GT	31-32	139290GT	47
10665GT	65	1255858GT	111	128336GT	31-32	139318GT	35
10775GT	67	1255889GT	111	128374GT	107	139351GT	31-32
10777GT	67	1255890GT	111	128375GT	35	139353GT	31-32
107858GT	101, 105	1256109GT	65	128376GT	35	139354GT	31-32
110197GT	77	1256149GT	111	128376GT	11	139355GT	31-32
110199GT	77	1256859GT	113	128377GT	35	139462GT	79
110200GT	77	1256863GT	65	1284189GT	41	139537GT	63
110232GT	41, 51	1257390GT	55	128444GT	77	139540GT	63
110233GT	51	1257458GT	65	128453GT	41	139541GT	63
110236GT	51	1257733GT	11	128458GT	39	139542GT	63
110240GT	51	1258567GT	11	128459GT	39	139560GT	79
110242GT	51	1259574GT	43	128465GT	39	139561GT	79
110244GT	51	1259715GT	93	128466GT	39	139564GT	79
110245GT	51	1261184GT	113	128550GT	65	139584GT	51
110246GT	51	1261346GT	69	128565GT	41	139587GT	13, 21
110249GT	51	1261347GT	69	128580-SGT	69	139590GT	13, 21
110382GT	43	1261566GT	69	128581-SGT	69	139643GT	91
110626GT	43	1261606GT	55	128582-SGT	69	139655GT	65
110649GT	71	1261845GT	51	128584-SGT	69	139858GT	35
110651GT	69	1261984GT	43	128586-SGT	69	139877GT	83
110652GT	69	1262353GT	61	128618GT	41	139879GT	83
110653GT	69	1262354GT	61	128619GT	41	139880GT	83
110789GT	109	1262355GT	61	128620GT	41	139965GT	32
114224GT	15	1262432GT	61	128621GT	41	139966GT	32
114249GT	21	1263141GT	41	128622GT	41	139967GT	32
114343GT	23	1263142GT	41	128635GT	55	139968GT	32
114397GT	19	1263187GT	43	128645GT	35	144161GT	35, 47
119058GT	67	1263699GT	99	128660GT	31-32	146051GT	31-32
119077GT	97	1264261GT	113	1286602GT	31-32	146052GT	32
119111GT	41	1264315GT	59	1286603GT	31-32	146478GT	69
119403GT	47	1264822GT	51	128667GT	67	147000GT	91
119618GT	43	1264834GT	51	128668GT	67	147001GT	91
119762GT	41	1264934GT	113	128669GT	67	147034GT	32
119950GT	107	1264937GT	15	128677GT	97	147079GT	61
121848GT	109	1267575GT	45, 83	128681GT	97	147093GT	43, 49
122073GT	93	1267579GT	83	128682GT	97	147181GT	97
122513GT	69	1268468GT	109	128728GT	45	147253GT	71
12344GT	113	1268GT	11	128729GT	31-32	147389GT	51
12443GT	67	1270116GT	111	128730GT	31-32	147638GT	61
1251590GT	91	1270117GT	111	1287986GT	77	1484GT	11
1251591GT	91	1270118GT	111	1288080GT	55, 59, 61, 63, 65	1487GT	107
1251592GT	91	1272235GT	115	128808GT	45	1488GT	107
1251600GT	107	1273205GT	65	128809GT	45, 83	150026GT	103

Part Number	Page	Part Number	Page	Part Number	Page	Part Number	Page
15243GT	69, 71	28177GT	19	36575GT	47	45071GT	29, 57, 59, 61
18396GT	57	28181GT	17	36648GT	61	45074GT	29
18963GT	47	28235GT	15, 19, 23, 27	36673GT	35	45105GT	69
19018-1100GT	107	28236GT	19	36676GT	29	45107GT	29
19018GT	43, 45	28372GT	13	36816-SGT	95	45108GT	29
19246GT	35	28443GT	59	36923PGT	47	45111GT	29
19247GT	35	28750GT	11, 77	36924PGT	47	45112GT	29
19268GT	49	29032GT	77	37052GT	19	45113GT	29
19470GT	77	29080GT	61	37053GT	13, 21	45209GT	37
19506GT	49	29261GT	91	37054GT	13, 21	45382GT	37
19520GT	39	29868GT	37	37055GT	13, 21	45383GT	69
19712GT	73	30222GT	65	37056GT	13, 21	45385GT	47, 91
19713GT	73	30489GT	99	37184GT	45	45437GT	67
19721GT	73	30577GT	99	37185GT	45	45454GT	31-32
19722GT	73	30807P-SGT	67	37186GT	45	45462GT	47, 95
19789GT	77	30971GT	99	37187GT	45	45465GT	37
20224GT	77	30997GT	71	37191GT	45	45470GT	109
20973GT	67	31060GT	13, 17	37192GT	45	45544GT	77
21121GT	67	31106GT	55, 65	37947GT	49	45782GT	49, 69
21166GT	29	31194GT	41, 83	39223GT	45	45873GT	29
21427GT	73	31508GT	13	40145GT	29	45921GT	77
215777GT	32	31779GT	11	40146GT	29	46468GT	19, 27
21619GT	43	31784GT	13	40299GT	13	47377GT	55, 59, 65
216791GT	43	31785GT	13	40300GT	13	48504GT	45, 87
216793GT	43	31788GT	13	40410GT	77	48875GT	83
218164GT	43	32149GT	103	40413GT	77	48880GT	77
218570GT	32	32150GT	11	40434GT	19, 27	48885GT	83
218602GT	51	32151GT	11	40438GT	29	48890GT	85
21982GT	49	32317GT	87	40446GT	55	48904GT	81
22262GT	31-32	32710GT	67	40447GT	57, 59	48905GT	79, 85
22263GT	31-32	32728GT	19, 27	40449GT	55	48906GT	81
226383GT	73	33576GT	67	40609GT	95	48911GT	81
227213GT	15	33674GT	107	42019GT	45	48912GT	81, 83, 85
227427GT	19	33759GT	67	42104GT	107	48915GT	83
227564GT	67	33994GT	11, 77	42363GT	41	48916GT	79, 83, 85
227620GT	51, 67	34052GT	91	42413GT	55	48927GT	85
22794GT	41, 83	34053GT	43	42439GT	43	48932GT	83
228947GT	35	34245GT	57, 59	42502GT	61	48933GT	83, 85
228973GT	35	34619GT	105, 109	42612-SGT	55	48937GT	83
229567GT	49, 69	35088GT	65	42613-SGT	55	48938GT	83
229729GT	37	35434GT	99	42616GT	71	48997GT	77
229805GT	37	35542GT	13	42617GT	71	49215GT	89
229806GT	37	35675GT	61	42744GT	81	49418GT	81, 85
229833GT	32	35678GT	75	42781GT	69, 71	49612GT	11, 77
229834GT	32	35679GT	75	42797GT	65	49613GT	11, 77
230759GT	35	35680GT	75	42805GT	83	49812GT	45
23083-SGT	101	35956GT	105	42817GT	85	50546GT	65
232486GT	32	36054-SGT	65	42855GT	83	51147GT	39
233717GT	65	36179GT	45	42856GT	83	52339GT	77
233745GT	65	36192GT	61	42859GT	85	52598GT	77
23404GT	32, 43, 47, 49, 71, 91	36194GT	57, 59	42861GT	85	52599GT	77
23405GT	103	36198GT	59	42894GT	85	52601GT	77
234923GT	73	36199GT	65	42939GT	55, 59, 65	52603GT	77
236665GT	31-32	36200GT	57	43018GT	79	52604GT	77
237145GT	69	36202GT	57	43038GT	73	52715GT	77
237503GT	51	36205GT	57	43040GT	73	52885GT	77
24514GT	67	36211GT	29	43042GT	73	52887GT	73
25388GT	35, 47	36235GT	71	43179GT	31-32	52892GT	73
25685GT	109	36245GT	57	43392GT	107	52895GT	73
25817GT	29	36246GT	57	43595GT	13	52913GT	45, 87
27246GT	101	36257GT	47	43599GT	77	52914GT	45, 87
27258GT	63	36355GT	31-32, 103	43937GT	59	52915GT	87
27391GT	91	36369GT	37	43956GT	47, 51, 67	52928GT	73
27489GT	101	36388GT	43, 45	43960GT	41, 55, 67	52943GT	77
27564GT	15	36389GT	57	44133GT	59	52947GT	15
27581GT	11	36390GT	57	44248GT	19	52960GT	89
27894GT	89	36414GT	47	44743GT	67	52968GT	13, 21
27900GT	89	36415GT	47	44750GT	87	53517GT	101
28161GT	15, 17	36421GT	47	44777GT	45, 87	54255GT	71
28164GT	15	36449GT	47	44778GT	31-32, 45, 87	54259GT	71
28165GT	19	36456GT	31-32, 45	44788GT	11, 45	54365GT	71, 101
28171GT	15, 23	36457GT	47	44956GT	77	54457GT	107
28174GT	15, 19, 23, 27	36555GT	11	44980GT	13	54530GT	61
28175GT	13	36561-SGT	65	44981GT	15, 19, 23, 27	54989GT	99
28176GT	19	36570GT	47	44986GT	19	55753GT	93, 107
		36574GT	47	45043GT	29	56003GT	83

Part Number Index (continued)

Part Number	Page	Part Number	Page	Part Number	Page	Part Number	Page
56029GT	31-32	65737GT	35	74865GT	65	824093GT	59
56030GT	31-32	6578GT	101	74866GT	65	824094GT	35, 57
56051GT	55, 95	65872GT	31-32	74902GT	77	824095GT	43, 45
56289GT	95	66355GT	67	74913GT	43	824100GT	45
56302GT	43, 71, 91	66399GT	11	74917GT	43	824102GT	41
56328GT	91	66717GT	103	74918GT	43	824103GT	31-32
56330GT	91	66812GT	49, 69	74946GT	55	824105GT	31-32
56351GT	91	66813GT	69	74983GT	85	824109GT	61, 65, 97
56361GT	61	66815GT	69	7746P-SGT	105	824110GT	45, 57, 61, 97
56418GT	91	66816GT	69	77728GT	61	824113GT	29, 31-32, 55, 63, 97
56424GT	91, 107	66817GT	49	77860GT	105	824116GT	41, 45, 89
56425GT	91	66818GT	49, 69	77969GT	37	824119GT	45, 47
56426-576GT	91	66821GT	49	77970GT	37	824120GT	43, 45
56457-SGT	69	66900GT	37	77981GT	45, 87	824121GT	31-32
56462GT	37	66901GT	37	77990GT	45, 87	824124GT	97
56465PGT	67	6833GT	63	78098GT	101, 103, 113	824125GT	37
56500-SGT	65, 67	6935GT	47, 67	78622GT	45	824126GT	29
56525GT	107	7056GT	41, 47, 55, 59, 67	79452GT	32	824127GT	29
56561GT	31-32	72047GT	77	81368GT	107	824128GT	29
56562GT	31-32	72078GT	31-32	81579GT	43	824129GT	29
56570GT	107	72081GT	19, 27	81900GT	69	824151GT	57, 65
56576PGT	67	72298GT	73	82161GT	15	824163GT	61
56656GT	67	72326GT	47, 69, 95	822704GT	51	824164GT	65
56663GT	71	72833GT	13	822917GT	32	824206GT	71
56704GT	95	72867GT	19, 27, 101	822918GT	32	824207GT	107
56781GT	81	72999GT	15	823226GT	31-32, 101, 105	824208GT	109
56782GT	81	73575GT	113	82366GT	15	824214GT	67, 71
56784GT	43	73711GT	71	823685GT	37	824215GT	43, 47, 95
56791GT	43	73713GT	71	823942GT	105	824216GT	109
56844GT	83	73714GT	41	823944GT	101	824218GT	49
56845GT	83	73717GT	71	823948GT	101	824219GT	55, 59
56849GT	61	73723GT	71	824019GT	71	824225GT	67, 103
56886GT	75	73736GT	71	824024GT	109	824226GT	71
56912GT	29, 31-32, 35, 43, 61, 67	73739GT	67	824025GT	65	824228GT	37
56929GT	79	74007GT	107	824027GT	35, 43, 47, 55, 63, 67, 91, 93, 97, 103, 105, 107, 115	824272GT	23, 25
56930GT	31-32	74009GT	107			82481GT	21
56934GT	61	74052GT	67	824028GT	67, 101	824878GT	69
56945GT	85	74066GT	61	824029GT	35, 37, 43, 45, 55, 57, 59, 61, 65, 109	82487GT	23, 27
56976-SGT	65	74085GT	55			825019GT	29, 57, 59, 61, 65
56983PGT	63	74086GT	41	824032GT	43, 47, 67, 71, 95, 101, 109	825020GT	109
56994GT	43	74091GT	59			825066GT	39
58320GT	32	74119PGT	63			825207GT	91
58320GT	32	74136GT	83			825209GT	91
58531GT	32	74147GT	83	824037GT	43, 45	825210GT	91
58932GT	45, 87	74232GT	55	824038GT	61	825211GT	91
58933GT	45	74266GT	31-32	824040GT	55	825212GT	91
58934GT	45, 87	74267GT	32	824042GT	29, 31-32	825213GT	91
58936GT	45, 87	74268GT	31-32	824059GT	105	825214GT	91
58985GT	73	74282GT	31-32	824062GT	65	825215GT	91
58994GT	77	74308GT	85	824064GT	97	825216GT	91
6021GT	87	74309GT	85	824066GT	37	825352GT	113
60429GT	41	74312GT	29	824067GT	57, 61	825358GT	45, 57, 97, 101
60443GT	71	74313GT	29	824070GT	109	82544GT	23
60526GT	71	74356GT	75	824074GT	41, 45	82548GT	27
61226GT	31-32, 71	74357GT	75	824077GT	37, 45, 47, 65, 69	825674GT	101
61726GT	109	74358GT	75	824078GT	29, 31-32, 35, 43, 47, 55, 63, 67, 91, 105, 107, 113	82592GT	15, 23
61972GT	109	74359GT	75			82601GT	27
61973GT	109	74362GT	73	824079GT	31-32, 47, 55, 61, 63, 71, 103, 109, 115	82602GT	27
61974GT	109	74368GT	73			82604GT	27
62502GT	47	74379GT	55			82610GT	23
62506GT	79	74384GT	75			82611GT	27
62507GT	79	74424GT	31-32			82612GT	27
62514GT	67	74425GT	77			826791GT	61
62518GT	67	74468GT	32	824080GT	91	826793GT	65
62695GT	32	74469GT	32	824081GT	67, 105	82942GT	21
62696GT	32	74470GT	32	824082GT	61	83093GT	49
62930GT	17, 25	74471GT	32	824083GT	71, 107	84312GT	41
62931GT	13, 21	74480GT	85	824084GT	55	85239GT	49
62932GT	17, 25	74481GT	85	824085GT	45, 101	85300GT	107
62933GT	13, 21	74495GT	31-32	824086GT	31-32	87085GT	105
65171GT	15	74508GT	61	824087GT	67	87755GT	71
65178GT	73	74509GT	61	824089GT	47	88280GT	59
65301GT	13	74587GT	65	824090GT	29, 41, 43, 113	88337GT	29
65546GT	73	74643GT	31-32	824091GT	31-32, 43, 45, 55, 57	88338GT	29
65608GT	31-32	74735GT	65			88356-116R3GT	55
65630GT	107	74840GT	85	824092GT	59, 65		

Part Number	Page
88356-12103GT	41
88356-127J5GT	59
88385GT	91
88390GT	91
88827GT	49
88832GT	51
89310GT	77
93500GT	11
94019GT	77
94022GT	37
94023GT	37
94077GT	43
94103GT	85
94104GT	85
94170GT	109
94176GT	109
94191GT	109
94210GT	55
94212GT	61
94215GT	59
94216GT	59
94217GT	65
94218GT	65
94219GT	41, 45
94220GT	41, 45
94253GT	55
94255GT	61
94258GT	59
94259GT	59
94260GT	65
94261GT	65
94427GT	45
94461GT	99
94462GT	99
94463GT	99
94506GT	69
94512GT	49
94745PGT	67
94908GT	29
94909GT	31-32
9596GT	107
9599-SGT	105
96008-SGT	49
96317GT	29
97128GT	55
97815GT	27
97890GT	15, 19
97893GT	19
9990074GT	32
T106699GT	71
T108887GT	31-32
T112560GT	67
T112561GT	67
T112563GT	67
T112773GT	19, 27
T112779GT	93
T112780GT	93

Part Description Index

The Part Description Index is an alphabetical index of all part descriptions included in this manual. The index shows what page(s) the part is used on.

- "
- "Ref. MODULE, PLUS+1, OPA2 ".....71
- 4**
- 4' PLAT RAILING ASSY,ASIA.....67
4' PLAT RAILING ASSY,AUST.....67
4' PLAT RAILING ASSY,CE.....67
- 5**
- 5' PLAT RAILING ASSY, ASIA.....67
5' PLAT RAILING ASSY,AUST.....67
5' PLAT RAILING ASSY,CE.....67
- A**
- ACC. Z34 ALARM PACKAGE DC.....95
AIRLINE ASSY W/FITTINGS, Z34BE.....89
ALARM,CHIME TONE 5-25VDC***.....47, 95
ALARM,INTERMITTENT TONE 6-30V*.....47
ALARM,WARBLE TONE 5-30 VDC***.....69
ANGLE RELAY MOUNTING.....43
ANGLE,SWITCH MOUNT***.....55
ASSEMBLY RESET SWITCH.....111
ASSEMBLY, CONTROLLER PLATE.....31-32
ASSEMBLY, LIGHT, CONTACT ALARM.....51, 113
ASSEMBLY, OPA CABLE, SMALL.....113
ASSEMBLY, SENSOR, PROX, CONTACT ALARM.....51, 113
ASSEMBLY,CABLE,TAPESWITCH.....111
ASSEMBLY,FOOT SWITCH.....51, 67
ASSEMBLY,OPA,4'-5' PLAT.....111
ASSEMBLY,TAPESWITCH.....111
ASSY, CIRCUIT BREAKER 10A.....43, 49
ASSY, EXT BOOM, Z34.....61
ASSY, SENSOR W/HOUSING.....113
ASSY, VOLTAGE PROTECTOR BOX, Z30/34.....115
ASSY,BRKT,CNTRL BOX W/FASTNRS.....111
ASSY,IES CHARGER LED.....35
ASSY,LS,LOAD SENSE,38.5 IN.....109
ASSY,MODULE,CONTROL UNIT,OPA.....111
ASSY,RELAY SOCKET, AUTO.....43
- B**
- BACKING PLATE, PLATFORM CLAMP.....67
BASE ENCLOSURE,RED,OPA.....111
BASE WITH 1 NC CONTACT, E-STOP.....49
BASE, W/1 N.O. CONTACTS***.....69
BASE,W/3 NC CONTACTS.....69
BASE,WITHOUT CONTACTS.....49
BATT BOX ASSY.W/DECAL 34BI LH*.....37
BATT BOX ASSY.W/DECAL 34BI RH*.....37
BATT. BOX ASSY.LH, Z34DC.....37
BATT. BOX ASSY.RH, Z34DC.....37
BATTERY BOX ASSY. W/DECALS LH.....37
BATTERY BOX ASSY. W/DECALS RH.....37
BATTERY CABLE ASSY,9.5"JUMPER.....39
BATTERY, J 305GH, 315AH.....37
BATTERY,AGM,6V/320A,J305.....37
BEARING KIT, AUSCO***.....31-32
BEARING KIT, OMNI.....32
BEARING KIT,4HP.....31-32
- BEARING KIT,WHEEL DRIVE W/BRAKE (101584/101585).....31-32
BEARING NUT***.....31-32
BEARING RACE (LARGE) (45873).....29
BEARING RACE (SMALL) (45873).....29
BEARING,0.75IDX1.00ODX0.75L.....37
BEARING,1.00IDX1.25ODX1.00L.....29
BEARING,1.25 ID X 1.5 OD X .75.....55, 59, 65
BEARING,1.25IDX1.50ODX1.25L.....65
BEARING,1.25IDX1.50X1.25L.....57, 59
BEARING,1.5IDX1.75ODX0.75L.....59
BEARING,1.5IDX1.75ODX1.0L.....57
BEARING,1.5IDX1.75ODX1.5L.....29, 57, 59, 61
BEARING,CONE***.....41
BEARING,CUP***.....41
BEARING,FL,1.00IDX1.25ODX0.84L.....57
BEARING,FL,1.25IDX1.41ODX.89L.....65
BEARING,FL,1.25IDX1.41ODX1.50L.....65
BEARING,FL,1.25IDX1.50ODX1.09L.....57
BEARING,FL,1.25IDX1.50ODX1.25L.....65
BEARING,FL,1.25IDX1.50DX1.25L.....61
BEARING,GARLOCK,12FDU12.....109
BEARING,MOTOR.....45, 87
BEARING,MOTOR,36843,BRUSH END*.....31-32, 45, 87
BELLCRANK ASSEMBLY, Z30N,Z34*.....65
BELLOWS,JIB CYLINDER.....99
BELLOWS,MASTER CYLINDER.....99
BELLOWS,PRIMARY/ELEV CYLINDER.....99
BELLOWS,STEERING CYLINDER.....99
BOLT,CARRIAGE,1/4-20X.75,5,ZAG.....97
BOLT,CARRIAGE,3/8-16X1.5,ZAG.....37
BOLT,HEX TAP,3/8-16X2.25,8,ZAG.....59
BOOT(BELLOWS),E-STOP,BLACK.....69
BOOT,CABLE TERMINAL,LG,RED,2/0.....39
BOOT,CONTROLLER**.....73
BOOT,PLUG 4 WAY.....67
BOOT,TOGGLE SWITCH,SHORT*.....101
BOOT-THUMB ROCKER** BLACK.....73
BOX,INSTRUCTION STORAGE.....67
BRACKET ENGAGE II.....69
BRACKET SET,NYLATRAC,KS400.....63
BRACKET, CABLE STRAIN RELIEF.....67
BRACKET, CHARGER CORD AND LED.....35
BRACKET, HOSE ROUTING.....61
BRACKET, RETURN FILTER.....45
BRACKET,BEACON LIGHT.....95
BRACKET,CONTROL UNIT.....111
BRACKET,COVER LATCH.....47
BRACKET,RELAY MOUNT W/INSERTS.....71
BRACKET,WORK LIGHT MOUNT 5/16".....105
BRAKE, NEMA, 1200 IN/LB.....31-32
BRUSH BOX ASSEMBLY.....45, 87
BRUSH BOX ASSY.....31-32
BRUSH COVER -PLATE-(48504)*.....45, 87
BRUSH LEAD ASSEMBLY KIT(48504).....87
BRUSH LEAD ASSEMBLY KIT(56831).....31-32
BRUSH SET 4 EA.....45, 87
BRUSH SPRING SET.....45
BULKHEAD FITTING,PLASTIC X 8**.....45
BULKHEAD,FEMALE X 6 X 6.....89
BUMPER, PLASTIC, 1.25 O.D.....93, 107
BUMPER,3.5OD X 1.5 ID 90 DEG.....91
BUMPER,3.5OD X 1.5 ID X 6.75.....91
BUMPER,3.5OD X 1.5 ID X 9.75.....91
- BUMPER,3.5OD X 1.5ID X 12.75.....91
BUMPER,3.5OD X 1.5ID X 14.75.....91
BUMPER,3.5OD X 1.5ID X 15.65.....91
BUMPER,3.5OD X 1.5ID X 2.75.....91
BUMPER,3.5OD X 1.5ID X 22.70.....91
BUMPER,3.5OD X 1.5ID X 3.80.....91
BUMPER,3.5OD X 1.5ID X 30.75.....91
BUMPER,3.5OD X 1.5ID X 38.75.....91
BUMPER,3.5OD X 1.5ID X 40.75.....91
BUMPER,3.5OD X 1.5ID X 48.70.....91
BUMPER,3.5OD X 1.5ID X 6.75.....91
BUMPER,3.5OD X 1.5ID X 7.75.....91
BUMPER,90 DEG ELBOW.....91
BUMPER,BATTERY BOX & RAILS.....107
BUMPER,RUBBER***.....105, 109
BUMPER,RUBBER,.75 X .50H,STUD.....43, 45
BUSHING,STRAIN RELIEF,875/.30.....35
BUSHING,STRAIN RELIEF,875/.40.....35
BUTTON,PUSH,BLACK W/SEAL***.....69
BUTTON,PUSH,RED MUSHROOM HEAD.....49, 69
- C**
- CABLE ASSY #2 BLK A1/A1.....39
CABLE ASSY #2 BLK AP1/AP2 BATT.....39
CABLE ASSY #2 BLK AP1/AP2 DRIV.....39
CABLE ASSY #2 BLK B(+)/PR1.....39
CABLE ASSY #2 BLK M(-)/A2.....39
CABLE ASSY #2 RED AP1/AP2 DRIV.....39
CABLE ASSY #2 RED BATT.....39
CABLE ASSY #4 BLK B(-)/AP-D1.....39
CABLE ASSY #4 BLK LP-D1/AP-D1.....39
CABLE ASSY #4 RED PR2/LP-D1.....39
CABLE ASSY #4 RED PR3/AP-A2.....39
CABLE TIE,11.5" BLACK.....59
CABLE TIE,4" BLK,HEAT RESISTNT.....67
CABLE TIE,7 3/8".....101
CABLE TIE,BUTTON,BLACK,14.75LG.....61
CABLE TRACK,NYLATRAC,26 LINK.....63
CAP,DIAGNOSTIC NIPPLE.....77
CAP,DISENGAGE,4HP/4HB***.....31-32
CAP,DISENGAGE,OMNI***.....32
CAP,DUST,45873 HUB KIT.....29
CASE COVER,ROTATOR,Z30/34 (119111).....41
CHAIN,NO.2 (9LINKS).....91
CHANNEL, CABLE TRACK, UPPER.....63
CHANNEL,LWR TRAY PLASTIC TK **.....63
CHARGER 48V/30A AUTO AC X-LED.....35
CHOCK,CYLINDER (SERVICE TOOL).....11
CLAMP, 1.25 INCH TUBE.....113
CLAMP,0.31,#5 X 1/4,RUB CUSH.....109
CLAMP,0.50,#8 X 1/4,RUB CUSH.....63
CLAMP,0.75,#12 X 1/4,RUB CUSH.....71
CLAMP,1.25X.5 RUBBER-CUSHION.....91, 107
CLAMP,1.50,#24 X 1/4,RUB CUSH.....43
CLAMP,CABLE STRAIN RELIEF.....67
CLAMP,HAND RAIL,OPA,4'-5'.....111
CLAMP,HOSE,2.00***.....99
CLAMP,HOSE,3.00".....99
CLAMP,HOSE,3.50.....99
CLAMP,HOSE,ALUMINUM.....61
CLAMP,RUB CUSH,0.75,#12 X 3/8*.....31-32
CLAMP,RUBBER CUSHIONED-2 5/32.....55, 59, 61, 63, 65
CLIP,RETAINING,IES CHARGER.....35

- CLIP,SPRING,POTTER BRUMFIELD.....71
 COIL, SOLENOID VALVE, 24V***.....79
 COIL,24V SOLENOID VALVE.....77
 COIL,SOLND,W/D,20V DUAL SPADE.....77
 COIL,SOLND,W/D,20V SGL SPADE.....77
 COMPRESSION ARM WELDMNT 56.50...55
 COMPRESSION MEMBER (BORED)***.....65
 CONN PLUG 4 WAY ENDCAP DT.....67
 CONN PLUG 4 WAY EXTEND DT.....41
 CONN RECEPT,FLANGED.....71
 CONN, 520120-6.....79, 83, 85
 CONN,520120-4***.....79, 85
 CONN,520120-4-6***.....81, 83, 85
 CONN,520120-6-4.....85
 CONN,520120-8***.....83, 85
 CONN,PLUG 120 AC/15A DOMESTIC.....47
 CONN,RECEP 4 WAY,12-14GA FL***.....71
 CONN,RECEP 48 WAY,4 X 12.....71
 CONN,RECEP 8 WAY 14-18GA,FL.....71
 CONN,SQUEEZE,1/2NPT .38-.50,SM.....41,
 47, 55, 59, 67
 CONN,SQZ,BLK,1/2NPT,.38-.50,SM.....67
 CONNECTING LINK Z30N & Z34***.....55
 CONNECTOR,BULKHEAD,FEMALE-4.....83
 CONNECTOR,MOLEX 24-WAY**.....31-32
 CONTACT, N.C.....49, 69
 CONTACT,MOVING,19549RELAY*.....31-32
 CONTACT,N.O.***.....69
 CONTACT,STATIONARY (56434)**.....32
 CONTACT,STATIONARY,19549RELAY*.....31-
 32
 CONTACT-MOVEABLE (56434)**.....32
 CONTACTOR PANEL ASSEMBLY.....31-32
 CONTACTOR,AUX PUMP 24V,80A***.....31-
 32
 CONTACTOR,DRIVE,24V,180A***.....32
 CONTACTOR,LIFT PUMP 24V 180A**.....31-
 32
 CONTROL BOX COVER, LH.....105
 CONTROL BOX COVER, RH.....105
 CONTROLLER,ROTARY 24V W/RAMP.....75
 CONTROLLER,SEP-EX,Z34N***.....31-32
 CONTROLLER,SEPEX Z34DC/BE.....31-32
 CONVERTER, DC-DC, 48-26 VOLT**.....32
 CORD AC IEC320-C19 TO 110US.....35
 CORD AC IEC320-C19 TO 220EU.....35
 CORD EURO AC IEC320-C19PIGTAIL.....35
 CORROSION INHIBITOR,FOAM.....71
 COUNTERWEIGHT,CAST,3700 LBS.....47
 COUPLER, PUMP / MOTOR (36179).....45
 COUPLING.....32
 COUPLING,POT SHAFT (56886).....75
 COVER ASSY W/DECALS HPU**.....47
 COVER ASSY,W/SYM DEC,GC,34DC**.....47
 COVER ASSY,W/SYM DEC,HPU,34DC*.....47
 COVER, DR LIGHT OPTION.....101
 COVER, DRIVE CHASSIS, Z34.....31-32
 COVER, DRIVE CHASSIS,Z34N.....31-32
 COVER,BATTERY BOX**.....37
 COVER,BLANK.....67
 COVER,CONTROL PANEL.....47
 COVER,COUNTERWEIGHT,Z34.....47
 COVER,GFCI,WEATHERPROOF.....67
 COVER,PROTECTIVE,MASTER/SLAVE.....99
 COVER,TERMINAL STRIP, CONN.....43
 COVR W/DECALS DR CHAS STR END*.....29
 CVR ASSY.W/WORD DEC,GC,34N/DC*.....47
 CVR SUPPORT WELDM'T LH.34N/34.....43
 CYLINDER,ELEVATE, Z34.....55
 CYLINDER,EXTENSION.....61
 CYLINDER,JIB.....65
 CYLINDER,MASTER.....59
 CYLINDER,PRIMARY LIFT.....59
 CYLINDER,SLAVE,DONGYANG.....65
 CYLINDER,STEER.....29
- ### D
- DECAL, INSTRUCTION, ACTUATOR SWITCH
 SOCKET.....113
 DECAL, INSTRUCTION, CONTACT
 ALARM.....113
 DECAL, OPERATING INSTRUCTIONS.....19
 DECAL, POWER TO CHARGER, UNIV.....13,
 21, 35
 DECAL, POWER TO PLATFORM 230V**.....15,
 19, 23, 27
 DECAL, SYMBOL - READ THE MANUAL...23,
 27
 DECAL,ARROW,BLUE.....13, 21
 DECAL,ARROW,YELLOW SM 5-3/8".....13, 21
 DECAL,CHEVRON RANDO HD.....15
 DECAL,COSM,GENIE Z-34/22N(BOX).....13,
 21
 DECAL,COSMETIC,GENIE.....111
 DECAL,COSMETIC,GENIE BOOM,VERT..13,
 21
 DECAL,COSMETIC,GENIE Z-34/22.....17, 25
 DECAL,COSMETIC,GENIE Z-34/22N.....17, 25
 DECAL,DANGER DO NOT ALTER
 SWTC.....13, 17
 DECAL,DANGER,BATTERY SAFETY***.....13
 DECAL,DANGER,ELEC.HAZ.STAY CLR.....15,
 23
 DECAL,DANGER,ELECT HAZARD,PLUG....13
 DECAL,DANGER,GEN SAFETY RULES.....15,
 19
 DECAL,DANGER,MAX CAP,200KG.....27
 DECAL,DANGER,MAX SIDE FRC,667N.....27
 DECAL,DANGER,NO SMOKING ***.....15, 23
 DECAL,DANGER,SIDE FRC 400N.....27
 DECAL,DANGER,TILT ALARM.....19
 DECAL,DANGER,TIP-OVER BATTERY.....13
 DECAL,DANGER,TIP-OVER,TIRES***.....13
 DECAL,DRIVE ENABLE PATCH.....27
 DECAL,FUNCTION OVERRIDE.....19, 27
 DECAL,GENIE Z-34/22 DC POWER.....13, 21
 DECAL,GROUND CONTROL PANEL***.....15,
 23
 DECAL,INSTR,SIDE FRC/WIND,AUS.....19
 DECAL,INSTRUCT,FOOTSWITCH OPER.....19
 DECAL,LABEL, AIR LINE 110 PSI.....15, 19,
 23, 27
 DECAL,LABEL,CB & STATUS LIGHT.....15, 23
 DECAL,LABEL,EMERGENCY DOWN.....23
 DECAL,LABEL,LIGHTS***.....19, 27, 101
 DECAL,LABEL,LOWER MIDRAIL.....27
 DECAL,LABEL,MANUAL NOT HERE.....19
 DECAL,LABEL,MAX CAPACITY***.....27
 DECAL,LABEL,OPEN,LATCH.....13
 DECAL,LABEL,PETRO CANADA***.....15
 DECAL,LABEL,PWR TO CHGR 115V.....13
 DECAL,LABEL,RELAYS,Z30N,Z34NDC.....15
 DECAL,LABEL,TIPOVER,TIRES,SYMB.....21
 DECAL,LABEL,TIRE PRESS,Z-34/22.....21
 DECAL,LABEL,UCON HYDROLUBE.....15
 DECAL,LABEL,WHEEL LOAD Z34DC**.....13,
 21
- DECAL,LABEL,WHEEL LOAD Z34N***.....13,
 21
 DECAL,LANYARD ANCHORAGE POINT...19,
 27
 DECAL,NOTICE,BATT CONNECTION.....13
 DECAL,NOTICE,BATTERY CABLES.....13
 DECAL,NOTICE,CHARGER INSTRUC.....13
 DECAL,NOTICE,FOAM-FILLED TIRES.....13
 DECAL,NOTICE,HAZARDOUS MAT'LS*.....15
 DECAL,NOTICE,LUG NUT TORQUE***.....13
 DECAL,NOTICE,MAX CAP 440 LBS.....19
 DECAL,NOTICE,MAX LOAD 500 LBS.....19
 DECAL,NOTICE,OPER INST PLAT,DC.....19
 DECAL,NOTICE,SIDE FRC/WINDANSI.....19
 DECAL,NOTICE,TIRE SPECS,Z34DC.....13
 DECAL,OPER INST,DC BOOM GND AU.....15
 DECAL,OPERATING INSTR,GROUND.....15
 DECAL,OPTION GENERATOR***.....19, 27
 DECAL,PLATFORM CONTROL PANEL**.....19,
 27
 DECAL,POWER TO PLATFORM 115V.....15,
 19, 23, 27
 DECAL,SYMBOL-BATTERY SAFETY.....21
 DECAL,SYMBOL-READ THE MANUAL.....111
 DECAL,TRIANGLE,BLUE.....13, 21
 DECAL,TRIANGLE,YELLOW.....13, 21
 DECAL,WARN,CRUSH HAZARD HAND....15,
 17
 DECAL,WARN,CRUSH HAZARD PLAT.....19,
 27
 DECAL,WARN,FALL HAZARD.....17
 DECAL,WARN,IMPROPER OPERATION.....19
 DECAL,WARNING,CRUSHING HAZARD...23,
 25
 DECAL,WARNING-COMPART ACCESS.....13
 DIAGNOSTIC FEMALE Q-DSCNT.....77
 DIN RAIL,11.25".....43
 DIODE ASSEMBLY.....49
 DIODE,6 AMP,200 PIV,BULK.....49, 69
 DIODE,PCB DRIVE CONTACTOR**.....31-32
 DUST SHIELDS,180A CONTACTOR.....31-32
- ### E
- ELBOW,070302-4-2.....41, 83
 ELBOW,45D,520320-8.....83
 ELBOW,90D,520102-8-8.....45, 83
 ELBOW,90D,520220-4-4.....81
 ELBOW,90D,520220-4-6***.....81
 ELBOW,90D,520220-6.....83
 ELBOW,90D,520220-8-10.....83
 ELBOW,90D,JSJ-4-4.....83
 ELBOW,90D,LONG,521520-6.....83
 ENCLOSING BAND KIT.....45
 END STOP, DIN RAIL,SCREW CLAMP.....43
 Extension Boom.....53
- ### F
- FILTER ASSY,SAE8,10 MIC,PAPR**.....45
 FILTER ELEMENT,10MICRON,PAPER*.....11,
 45
 FITTING,ELBOW,45D,520320-4-6**.....81, 85
 FITTING,ELBOW,90D,520220-8***.....83
 FITTING,TEE,BRANCH,520429-4***.....85
 FITTING,TEE,RUN,SWIVEL520432-8.....83
 FIXED CONTACT (FOR 74267).....32
 FLOORING,PLATFORM 46X30,PAINT.....67
 FLOORING,PLATFORM,56X30,PNTD.....67
 FOOT SWITCH,20A IP65.....67

Part Description Index (continued)

- FOOTSWITCH HOUSING,PAINTED.....67
FORMING, INVERTER MT.....103
FORMING, SENSOR HOLDER.....113
FORMING, WIPER MOUNT.....97
FORMING,BATTERY BOX LATCH LH.....37
FORMING,BATTERY BOX LATCH RH.....37
FORMING,BRACKET.....43
FORMING,DECAL PLATE.....67
From January 2017, this option became a standard installation on all models unless the customer specifically request not to have it installed.....113
FUSE BLOCK, ANN & ANL FUSE.....103
FUSE HOLDER,WATERPROOF.....101
FUSE,100 AMP,VERY FAST ACTING.....31-32, 103
FUSE,13 AMP,220V PLUG***.....35
FUSE,500 AMP,VERY FAST ACTING.....31-32
FUSE,7 AMP.....101
- G**
- GASKET KIT, AUSCO 1200 IN/LB.....31-32
GASKET LVI/BCI ENGAGE II.....69
GASKET, PUMP / MOTOR (36179).....45
GASKET, UK & DIN PWR. TO PLAT.....67
GASKET,COVER,GFCI,WEATHERPROOF..67
GASKET,ENCLOSURE.....111
GASKET,JOYSTK.SHAFT36867/42032.....73
GASKET,KEYSWITCH,PLASTIC***.....49
GASKET,PLAT.CONTROL BOX.....71
GASKET-ROTARY CNTRL 56886.....75
GATE LATCH CASTING--DRILLED.....107
GREASE,DIELECTRIC 4 OZ**.....11
GRIP, CABLE.....113
GROMMET,RUBBER .5 X .014 X .75.....101
GROUND CONTROL PANEL ASSY.....49
GROUND STRAP,12"LG***.....29
GUARD,FOOTSWITCH,W/DECAL STEEL...67
GUARD,TOGGLE SWITCH.....69
GUIDE, CABLE.....113
- H**
- HANDLE HALF (56274).....73
HARN ASSY, POWER BATT PACK.....39
HARN ASSY, POWER DRIVE CHASS.....39
HARN,PBOX,OPA,HW,24V.....111
HARN,PIGTAIL,TAPESWITCH,OPA.....111
HARN.CHARGER INTERLOCK Z34.....35
HARNNESS CABLE1 18/19 COND.....51
HARNNESS CABLE2 12/3 COND.....51
HARNNESS CABLE3 18/19 COND.....51
HARNNESS LS1 OP EXT/RET.....51
HARNNESS LS2 OP PRIMARY.....51
HARNNESS LS3 OP DRIVE ENABLE.....41, 51
HARNNESS LS4 OP SECONDARY.....51
HARNNESS, CONTACT ALARM, Z30/34DC.....51, 113
HARNNESS, DRIVE CHASSIS, DC.....51
HARNNESS, DRIVE LIGHTS, 48V.....101
HARNNESS, GBOX WIRE JUMPER.....51
HARNNESS, LOAD SENSE, Z30/34DC.....51
HARNNESS, PROX. KILL.....91
HARNNESS,FUNC. MAN.,Z30/34DC.....51
HARNNESS,JIB MANIFOLD,NON RJ.....51
HARNNESS,LOAD SENSE RECOVERY.....51
HARNNESS,PLAT BOX,Z30/34DC.....51
HARNNESS,PLUG,NON-LOAD WEIGHING...51
HARNNESS,TILT 24V,CSA PROD.....51
- I**
- IND,BAT CHARGE,48V LEAD-ACID.....69
INNER CONE - MODEL 60-8.....29
INPUT CARRIER, SUB-ASSEMBLY.....32
INSTRN, TRC RETROFIT, STNDRD.....51
INSTRUCTIONS-PIPE CRADLE,BOOMS...107
INSULATION,48V BATT.BOX LID.....37
INVERTER,48VDC,120VAC/60HZ.....103
- J**
- Jib Boom.....53
JIB BOOM MACH***.....65
JOYSTICK,5K-0 OHM,W/RELAY.....73
JUMPER COMB, 2-WAY,WIELAND.....43
JUMPER COMB, 3-WAY,WIELAND.....43
- K**
- KEY SINGLE***.....49
KEY,SINGLE***.....49
KEYS,10 PACK***.....49
KEYSWITCH,3 POS. W/KEYS***.....49
KIT CONTROL SEPEX UPGRADE 34BI.....31-32
KIT, AUX. RAIL, 4' PLATFORM.....93
KIT, AUX. RAIL, 5' PLATFORM.....93
KIT, CYLINDER BELLOWS.....99
KIT, DC-DC CONVERTER, BE.....32
KIT, DC-DC CONVERTER, DC.....32
- L**
- LATCH,ADJUSTABLE DRAW.....47
LATCH,ROTARY, W/KNOB,LEFT.....37
LATCH,ROTARY, W/KNOB,RIGHT.....37
LEGEND,PLSTC,"CREEP TO 9***.....75
LEVEL SENSOR,LS60,YL,2.5X4.5.....43
LID ENCLOSURE,RED,OPA.....111
LID,CONTROL BOX COVER.....105
LIGHT,INDICATOR,RED 24V H-BRI.....43
LIGHT,LED IND. RED 24V NH.....69
LINING KIT, BRAKE, 4HP***.....31-32
LINK,NYLATRAC,KS400.....63
LOCK,PLUG 4 WAY,14-18GA.....41
LOCK,RECEP 12 WAY, 14-18GA.....71
LOCK,RECEP 4 WAY,12-14GA.....71
LOCK,RECEP 4 WAY,14-18GA.....71
LOCKNUT,ELEC,1/2".....47, 67
LOCKWASHER,LT IND. OD.868/530.....43
LOWER MIDPIVOT ASSY,Z34 & Z34N*.....55
LOWER SECONDARY ARM ASSY,Z34.....55
Lower Secondary Boom.....53
LS ROT.HEAD W/O LEVER (ZCE01).....55
LS SPRING WAND (ZCY91).....59
LUG BOLT,5/8-18,WHEEL HUB***.....29
LVI/BCI 36/48 VOLT ENGAGE II.....69
- M**
- MAGNET, 1/4-20, 15 LB.....113
MAGNET,NEODYMIUM, .375 X .100.....91
MANIFOLD,FUNC,Z30N/Z34DC/BE.....77
MANIFOLD,JIB, 24V NON RJ***.....79
MANIFOLD,ROTATOR,180 DEG. ***.....79
MANUAL BOX W/DECALS***.....67
MANUAL,AEM SAFETY.....11
MANUAL,RESPON,A92.5 BOOM.....11
MESH,HALF HEIGHT RH,4***.....107
MESH,HALF HEIGHT,5***.....107
MESH,HALF,SWING GATE***.....107
MICROSWITCH SPACER,45049.....73
MICROSWITCH,V3L-139-D8.....73
MICROSWITCH-V319M***.....73
Mid Pivot.....53
MIDRAIL GUIDE (HOOK).....67
MODULE, PLUS+1, CONTACT ALARM.....113
MODULE,CONTROL UNIT,PCB,OPA.....111
MOTOR, 24V (36179).....45
MOTOR,DRIVE,SEPEX.....31-32
MOTOR,FUNCTION,48V DC.....45, 87
MOTOR,TURNTABLE,125CC***.....41
MOUNT,SWITCH.....109
MOUNTING PLATE, 45048.....75
MOVING CONTACT (FOR PN 74267).....32
MPT,CPLR,1/4"SER,3/8"X18.....89
- N**
- NIPPLE,DIAGNOSTIC,#4.....77
- KIT, TRC RETROFIT, STNDRD.....51
KIT, WIPER.....97
KIT,ASSY,LED,IES CHARGER.....35
KIT,FIELD INSTALL,SWING GATE.....107
KIT,HORN SVC BB&SM BOOM.....69
KIT,LIFT GUARD CONTACT ALARM,4'-5' PLATFORM.....113
KIT,OPA,HW,24V,SB.....111
KIT,SEAL,3CC PUMP***.....45, 87
KIT,TORQUE HUB COVER(101584)**.....32
KNOB, 45048 CONTROLLER.....75

- NUT - PLASTIC,RING FOR ALARMS...47, 69, 95
 NUT, ACORN, 3/8-16, ZAG.....55
 NUT, TL JAM, 3/8-16, A, ZAG.....61
 NUT,1/4-20,8,ZAG.....113
 NUT,HEX,M8,PLASTIC.....91
 NUT,HH JAM,1/4-20,A,ZAG.....43, 45
 NUT,JS,36867/42032/44988/40612.....73
 NUT,LUG,5/8-18X90 DEG,ZAG.....29, 31-32
 NUT,M4 NYLOCK.....111
 NUT,NYLOCK FLG,1/4-20,F,ZAG.....71, 107, 113
 NUT,NYLOCK FLG,3/8-16,F,ZAG.....61, 107, 113
 NUT,NYLOCK,6-32.....113
 NUT,RETAINER (96008).....49
 NUT,SERRATED,10-32,ZAG.....113
 NUT,SERRATED,5/16-18,8,ZAG.....31-32
 NUT,SOLENOID VALVE COIL.....77
 NUT,SPINDLE,1-14.....29
 NUT,TL FLG,1/4-20,G,ZAG.....35, 43, 47, 55, 63, 67, 91, 93, 97, 103, 105, 107, 115
 NUT,TL FLG,10-32,F,ZAG.....43, 47, 67, 71, 95, 101, 109
 NUT,TL FLG,3/8-16,G,ZAG.....35, 37, 43, 45, 55, 57, 59, 61, 65, 109
 NUT,TL FLG,5/16-18,G,ZAG.....67, 101
 NUT,TL FLG,8-32,F,ZAG.....55
 NUT,TL JAM,5/16-18,A,ZAG.....37
 NUT,TL,1/4-20,C,ZAG.....109
 NUT,TL,3/4-10,C,ZAG.....65
 NUT,TL,3/8-16,C,ZAG.....65
 NUT,TL,6-32,A,ZAG.....71
 NUT-HEX,3M X 0.5MM.....73
 NUTSERT,1/4-20,STEEL CAD PLTD....32, 43, 47, 49, 71, 91
 NUTSERT,10-32 STEEL CAD PLTD.....103
- O**
- O-RING KIT (ORFS FITTINGS).....11, 77
 O-RING KIT, AUSCO 1200 IN/LB.....31-32
 O-RING KIT,FIELD SVC,ALL PROD*.....11, 77
 O-RING, ROTATOR MANIFOLD.....79
 O-RING,2-010,VITON.....31-32
 O-RING,END COVER,4HP/4HB***.....31-32
 O-RING,END COVER,OMNI***.....32
 OIL, HYD, SHELL TELLUS S4 VX.....15
 OPA WIRE ASSY, SMALL.....113
 OPTION,CONTROL BOX COVER.....105
 OPTION,DRIVE LIGHTS,Z34DC.....101
 OPTION,WORKLIGHTS,48V.....105
 ORIFICE, 0.035" (74512,74966).....77
 ORING,568-908 N552-90 NBR,10PK.....32
 OUTER CONE - MODEL 60-8.....29
 OUTLET, 110V.....67
- P**
- PAD,REST,1"THICK,FLANGED.....61
 PAD,REST,1"THICK,W/STUDS*.....61
 PADDING, FOAM 90 DEG.....91
 PAINT, AEROSOL, TRAFFIC BLACK.....11
 PAINT,AEROSOL,BRIGHT BLUE***.....11
 PAINT,AEROSOL,GENIE GRAY***.....11
 PAINT,WET,GENIE BLUE (1 GL)*.....11
 PAINT,WET,GENIE GRAY (1 GL)**.....11
 PAINT,WET,TRAFFIC BLACK (1 GL)**.....11
 PANEL,GROUND CONTROL BOX***.....49
 PARKER DIGITAL PRESSURE GAUGE.....11
- PIN,0.75DIA X 5.51LG,2RING.....61
 PIN,0.75DIA X 5.75LG,CHAMFER.....109
 PIN,1.00DIA X 7.25LG,1HOLE.....57
 PIN,1.00DIA X 9.01LG,THREADED.....61
 PIN,1.25DIA X 10.38LG,1HOLE.....65
 PIN,1.25DIA X 12.50LG,2HOLE.....65
 PIN,1.25DIA X 3.00LG,THREADED.....57
 PIN,1.25DIA X 3.63LG,THREADED.....57
 PIN,1.25DIA X 6.36LG,2RING.....65
 PIN,1.25DIA X 7.64LG,2RING.....65
 PIN,1.25DIA X 8.12LG,1HOLE.....59
 PIN,1.25DIA X 9.13LG,1HOLE.....59
 PIN,1.25DIA X 9.38LG,1HOLE.....57
 PIN,1.50DIA X 15.13LG,1HOLE.....57, 59
 PIN,1.50DIA X 16.13LG,1HOLE.....57
 PIN,1.50DIA X 3.25LG,1HOLE.....29
 PIN,CLEVIS,1.0X2.41,SAE,ZAG.....29
 PIN,CLEVIS,3/4X3,ZAG.....29
 PIN,LOCK,SHORT***.....107
 PIN,ROLL,.25 X 1.5***.....65
 PIN,SLAVE CYLINDER.....65
 PIPE CRADLE ASSY. SERV (ONE)**.....107
 PIPE PLUG KIT,OMNI***.....32
 PLAT.ASSY.W/DECAL 5'Z34,ANSI*.....67
 PLAT.W/DECAL 4'Z30N/34ALL,ANSI*.....67
 PLATE, CABLE AND WIRE COVER.....113
 PLATE,CHARGER MOUNT.....35
 PLATE,CHARGER PROTECTOR.....115
 PLATE,MAGNET MOUNT.....91
 PLATE,ROTARY CNTRL (56886).....75
 PLATE,UK,POWER TO PLAT.....67
 PLATE,WIPER BACKING.....97
 PLATFORM CONTROL BOX W/DECAL.....71
 Platform Rotator.....53
 PLATFORM STEP ***.....67
 PLUG AND CAP KIT-SERVICE,37 **.....11, 77
 PLUG AND CAP KIT-SERVICE,ORFS*.....11, 77
 PLUG, NYLON .250 BLACK DOMED.....69, 71
 PLUG, TYPE F, 230A, 50HZ, 16A, IP44.....35
 PLUG,1/4"SERIES,3/8 MPT.....89
 PLUG,BLANKING.....111
 PLUG,FUSED,250V,13AMP,U.K.**.....35, 47
 PLUG,NYLON .875 BLACK DOMED.....69, 71
 PLUG,NYLON 1.12 BLACK DOMED.....47, 91
 PLUG,NYLON 2.093 BLACK DOMED.....69
 PLUG,ORIFICE-.045.....77
 PLUG,PWR,UK,16AMP,3PIN,BLK.....35, 47
 PLUG,SANTOPRENE .5 BLACK DOME.....49, 69
 POTENTIOMETER (56773).....73
 POWER RELAY, 24V COIL.....31-32, 101, 105
 POWER UNIT,AUX PUMP 24VDC.....45
 Primary Boom.....53
 PRIMARY BOOM TUBE ASSY Z34IC**.....61
 PRINTED CIRCUIT BOARD 56886.....75
 PROXIMITY SENSOR***.....91
 PUMP ASSEMBLY (36179).....45
 PUMP,LIFT,3CC,CCW***.....45, 87
- R**
- RAILING CATCH CASTING--DRILLED.....107
 RECEPTACLE,UK,110V.....67
 RELAY SOCKET,70AMP.....31-32, 71
 RELAY,24VDC,40/30A,SEALED***.....43, 71, 91
 RELAY,24VDC,40/30A,SLD W/BRKT*.....101, 103, 113
 RELAY,POTTER BRUMFIELD 24V **.....71
- RELAY,SPDT,12V(AUTO) PLUG IN**.....91
 REPAIR LINK,NYLATRAC,7 LINKS.....63
 REST PAD, LOWER ARM REST.....41
 REST PAD,UPPER PIVOT Z30N.....55
 RETAINER,SPRING,1.21X.375,ZAG.....109
 RETAINER-N.C.PROPOR.SOLENOID.....77
 RING,HOSE PROTECTOR.....41
 RIVET, STL, STL, DOME, 1/4 X .375, ZAG.....107
 RIVET,ALUM,P,.188 X .25.....105
 RIVET,STL,STL,DOME,1/8X.25,ZAG.....71
 ROCKER ASSY W/ROLLPIN***.....73
 ROD END, .25 X 2.75, ZAG.....109
 ROD END,.375X3.69,ZAG.....29, 57, 59, 61, 65
 ROD,DISCONNECT 4HP/4HB***.....31-32
 ROD,DISCONNECT,OMNI***.....32
 ROLLER ARM,LIMIT SWITCH***.....55
 ROTATOR TURNABLE ASSEMBLY***.....41
 ROTATOR,PLAT,Z30/34/Z40.....65
 RUE RING,1.0,ZAG.....29
 RUE RING,3/4,ZAG.....29
- S**
- SCREW.....73
 SCREW, HHC, 5/16-18X2,8,ZAG.....101
 SCREW, HHF, 1/4-20 X .5, 8, ZAG.....37, 45, 47, 65, 69
 SCREW, PHPM SEMS ET, 8-32 X 1.25, ZAG.....55, 59
 SCREW,BHTC,1/4-20X1,ZAG.....93
 SCREW,FHPM,10-32X.75,ZAG.....67, 103
 SCREW,HANDLE42032,40612,36867.....73
 SCREW,HH TAPETITE THRD8-32X.50.....45, 87
 SCREW,HHC,1-8X3,8,ZAG.....41, 45
 SCREW,HHC,1/4-20X.75,8,ZAG.....105
 SCREW,HHC,1/4-20X.875,8,ZAG.....61
 SCREW,HHC,1/4-20X1.5,8,ZAG.....65
 SCREW,HHC,1/4-20X2.25,8,ZAG.....97
 SCREW,HHC,3/4-10X9.5,8,ZAG.....65
 SCREW,HHC,3/8-16X.5,8,ZAG.....99
 SCREW,HHC,3/8-16X.75,8,ZAG.....65
 SCREW,HHC,3/8-16X.875,8,ZAG.....61
 SCREW,HHC,3/8-16X1,8,ZAG.....57, 61
 SCREW,HHC,3/8-16X2.25,8,ZAG.....97
 SCREW,HHC,3/8-16X3.25,8,ZAG.....109
 SCREW,HHC,3/8-24 X 1 GR 8 YEL.....87
 SCREW,HHC,5/8-11,4.5,8,ZAG.....41
 SCREW,HHC,5/8-11X5.5,8,ZAG.....41
 SCREW,HHF,1/4-20X.75,8,ZAG.....29, 31-32, 35, 43, 47, 55, 63, 67, 91, 105, 107, 113
 SCREW,HHF,1/4-20X1.8,ZAG.....31-32, 47, 55, 61, 63, 71, 103, 109, 115
 SCREW,HHF,1/4-20X1.25,8,ZAG.....91
 SCREW,HHF,1/4-20X1.5,8,ZAG.....67, 105
 SCREW,HHF,1/4-20X1.75,8,ZAG.....61
 SCREW,HHF,1/4-20X2.5,8,ZAG.....71, 107
 SCREW,HHF,1/4-20X3,8,ZAG.....55
 SCREW,HHF,10-24X.5.....113
 SCREW,HHF,3/8-16X.75,8,ZAG.....47
 SCREW,HHF,3/8-16X1,8,ZAG.....29, 41, 43, 113
 SCREW,HHF,3/8-16X1.25,8,ZAG.....31-32, 43, 45, 55, 57
 SCREW,HHF,3/8-16X1.5,8,ZAG.....59, 65
 SCREW,HHF,3/8-16X1.75,8,ZAG.....59
 SCREW,HHF,3/8-16X2.75,8,ZAG.....35, 57
 SCREW,HHF,3/8-16X3,8,ZAG.....43, 45
 SCREW,HHF,5/16-18X.75,8,ZAG.....45, 101

Part Description Index (continued)

SCREW,HHF,5/16-18X1,8,ZAG.....31-32	SNAP RING,INT,2.88 DIA***.....41	TIME DELAY RELAY,2 SEC,24VDC.....71
SCREW,HHF,5/16-18X1.25,8,ZAG.....67	SNAP RING,WHEEL DRIVE.....32	TIRE & WHEEL ASSY,FRONT N-M.....29
SCREW,HHF,5/16-18X1.5,8,ZAG.....37	SOLENOID VALVE W/NUT***.....79	TIRE & WHEEL ASSY,REAR N-M.....31-32
SCREW,HHTAPTITE THREAD8-32X.38.....45, 87	SOUNDER LENS, OPA, AMBER.....111	TOEBOARD,ENTRY EUROPEAN PNTD**...67
SCREW,M5X16 BHD.....111	SOUNDER LENS, OPA, BLUE.....111	TOGGLE SWITCH GUARD,RED.....69
SCREW,PHIL,PHM,10-32 X .5,SSTL.....71, 101	SOUNDER LENS, OPA, CLEAR.....111	TOGGLE SWITCH W/GUARD ASSY.....69
SCREW,PHILLIPS,PHM,8-32 X.375.....67	SOUNDER LENS, OPA, RED.....111	TOOL TRAY ACCESSORY***.....105
SCREW,PHM,M3 X .5 X 12MM.....73	SOUNDER,MIDI,OPA.....111	TOOL TRAY BRCKT, GRAY,SERVICE.....105
SCREW,PHM,M3.5 X 12MM (57890).....73	SPACER,HEAT SINK.....111	TOOL,TERMINAL CRIMPER,MOLEX***.....31-32
SCREW,PHPM SEMS ET,8-32X.25,ZA.....49	SPACER-POT,PLATE,JOYSTICK56773.....73	TOOL,TERMINAL EXTRACTOR,MOLEX...31-32
SCREW,PHPM,10-32X.50,ZAG.....32	SPRING CLIP,1/4-20,.025-.15X.54,ZAG.....29, 31-32, 35, 43, 61, 67	TRIM,RUBBER EDGE,5/8 (BY INCH).....63
SCREW,PHPM,10-32X.75,ZAG.....43, 47, 95	SPRING CLIP,10-24,.025-.125X.468,ZAG...113	TRIMLOCK,BLACK,5/32".....43, 45, 107
SCREW,PHPM,10-32X1.25,ZAG.....113	SPRING CLIP,3/8-16,.05-.20X.73,ZAG.....37	TUBE, HYDRAULIC TANK.....45
SCREW,PHPM,10-32X1.5,ZAG.....109	SPRING CLIP,5/16-18,.025-.15X.....31-32, 45	TUBE,RD,STL,DOM,,75OD X .375ID.....97
SCREW,PHPM,6-32X.5,ZAG.....67, 71	SPRING RETURN,HEAVY DUTY,45049.....73	TUBE,RD,STL,DOM,,75X.438X1.25.....97
SCREW,PHPM,6-32X.875,ZAG.....113	SPRING, BRUSH.....31-32	
SCREW,PHPM,8-32X1.75,ZAG.....55	SPRING, RETURN (FOR 74267).....32	
SCREW,PHPSH,#12-11X.75,ZAG.....71	SPRING, RETURN (FOR 74268).....31-32	
SCREW,PHS,4-40 X 1.5.....73	SPRING, SS, 1/2-EO500-49-4500.....91	U
SCREW,SHC,1/2-13X1.5,A574,ZAG.....41	SPRING,COMP,1" OD,232 LB/IN.....109	U-BOLT, FLATTENED, 1.5 X 3/8 UNC,ZAG.....107
SCREW,SHC,1/2-13X3,A574,ZAG.....31-32	SPRING,EXTENSION,.36 X 1.25.....47	UPPER MIDPIVOT ASSY,Z34 & Z34N.....57, 59
SCREW,SHC,3/8-24X1.25,A574,ZAG.....45	SPRING,EXTENSION,.75X4.5.....91	Upper Pivot.....53
SCREW,SHC,5/8-11X2.5,A574,ZAG.....31-32	SPRING,RETURN (74266).....32	UPPER SECONDARY ARM ASSY,Z34.....55
SCREW,THUMB,A-REG,3/8-16X1,ZAG.....37	SPRING,SHORT PLATFORM GATE.....107	Upper Secondary Boom.....53
SEAL AND BRG KIT,4.5K ROTATOR.....65	SPRING-BRUSH,40844, SCISSORS.....87	
SEAL KIT.....77	STACK KIT, AUSCO 1200 IN/LB.....31-32	
SEAL KIT (39345).....79	STAND OFF,CONTROL UNIT.....111	
SEAL KIT***.....41	STRAP, CONDUIT HOLDER 60****.....107	V
SEAL KIT, 37185 PUMP.....45	STROBE,FIREBOLT,12-80VDC,AMB**.....95	VALVE - COUNTERBALANCE**.....79
SEAL KIT, 88337.....29	SUPPORT, RAILING.....93	VALVE SOLENOID.....77
SEAL KIT, 94210.....55	SVC KIT,UK RECEPT.REPLACEMENT.....67	VALVE,CB,CBBC-LHN@3200***.....59
SEAL KIT, 94215, 94430.....59	SWITCH ASSEMBLY (56886).....75	VALVE,CHECK.....77
SEAL KIT, 94216.....59	SWITCH TOGGLE ASSY DPDT 2P MNT...101	VALVE,CHECK (36179).....45
SEAL KIT, 94217.....65	SWITCH TOGGLE ASSY DPDT 3P MOM....49	VALVE,CHECK,COBA-X*N 200PSI PO.....61
SEAL KIT, BRAKE, 4HP.....31-32	SWITCH TOGGLE ASSY SPDT 2P MNT....69	VALVE,CHECK,CXAD-XCN,30PSI.....61
SEAL KIT, JIB MANIFOLD, NON RJ.....79	SWITCH TOGGLE ASSY SPDT 2P MOM....49	VALVE,CHK,#8PORT-#6MALEORFS***.....83
SEAL KIT, OMNI.....32	SWITCH TOGGLE ASSY SPDT 3P MOM...49, 69, 91	VALVE,CNTERBAL,CBBB-LHN@3000**...55, 65
SEAL KIT, SOLENOID VALVE.....77	SWITCH TOGGLE DPDT 2P MOM SHDR....69	VALVE,COUNTERBALANCE.....65
SEAL KIT, VALVE, #10.....77	SWITCH TOGGLE DPDT 3P MNT SHDR....69	VALVE,COUNTERBALANCE 2500 PSI*.....61
SEAL KIT, VALVE, #4.....77	SWITCH TOGGLE DPDT 3P MOM SHDR....69	VALVE,COUNTERBALANCE, 3000PSI.....77
SEAL KIT,94212.....61	SWITCH TOGGLE SPDT 2P MNT SHDR....69	VALVE,DIFF.SENSE***.....77
SEAL KIT,94218.....65	SWITCH TOGGLE SPDT 3P MOM SHDR....69	VALVE,FLOW REGULATOR.....77
SEAL KIT,ROTATE MOTOR.....41	SWITCH,LIMIT,W/6.25"SPRING ARM.....59	VALVE,FLOW REGULATOR .8 GPM.....77
SEAL KIT,VALVE (48647).....77	SWITCH,LIMIT,W/ROLLER ARM***.....41, 55	VALVE,PROPORTIONAL**.....77
SEAL KIT,WHEEL DRIVE W/BRAKE (101584/101585).....31-32	SWITCH,PRESS,#6SAE,600 PSI.....77	VALVE,RELIEF 3200 PSI.....77
SEAL KIT,WHEEL DRIVE W/BRAKE (101584/101585).....31-32	SWITCH,ROLLER PLUNGER LIMIT.....109	VALVE,RELIEF,1100PSI***.....77
SEAL MARKER, CROSS CHECK,BLUE,TUBE.....11	SWITCH,TOGGLE,SPDT,2 POS MAINT.....69	VALVE,RELIEF,1600 PSI.....77
SEAL/BEARING KIT (45043,54840).....29		VALVE,SOLENOID 20V W/DIODE.....77
SECURITY TIE,TOGGLE GUARD.....69	T	VALVE,SOLENOID,3POS 4WAY.....77
SENSOR, LEVEL, 4.5 X 4.5 DEG.....43	T-BOX,2.75 X 4.5 X 2.0.....67	VALVE,SOLENOID,3POS/4WAY*.....77
SENSOR, LEVEL,2.5 X 4.5 DEG.....43	TANK BREATHER,NYLON **.....45	
SENSOR,LEVEL 3 DEG.....43	TAPE, PROTECTIVE MASK.....19, 27	
SENSOR,LEVEL 3 DEG**.....43	TEE,RUN,520428-4.....81	W
SENSOR,LEVEL,4.5 DEG.....43	TEE,RUN,SWIVEL,520432-6.....83	WASHER, FLAT, F436, 1.0, ZAG.....41, 45, 89
SENSOR,RUBBER EDGE.....111	TERM,DEUTSCH, PIN #12-14.....71	WASHER,FLAT,#8,SAE,ZAG.....55
SET SCREW***.....32	TERM,NI PIN, 14-16GA,BULK.....71	WASHER,FLAT,25X1.25X.062,ZAG.....45, 47
SHAFT,WORM GEAR***.....41	TERM,NI PIN,S&F,16-18GA,REEL.....71	WASHER,FLAT,375X1.50X.125,ZAG.....43, 45
SHIM KIT,TURNTABLE***.....41	TERM,NI SOC,S&F,16-18GA,REEL.....41	WASHER,FLAT,406X1.50X.125,ZAG.....109
SHIM,PRIMARY BOOM,.022 THICK.....37	TERMINAL BLOCK END PLATE.....43	WASHER,FLAT,625 HARDENED.....41
SHIM,PRIMARY BOOM,.052 THK.....37	TERMINAL BLOCK,WIELAND.....43	WASHER,FLAT,688X1.160X.09,HRD.....31-32
SHIM,SIDE PAD 22GA.....61	TERMINAL RAIL, Z30/34DC.....43	WASHER,FLAT,75,SAE,HRD,ZAG.....65
SHIM,WEAR PAD,5X 1.5 16GA.....61	TERMINAL STRIP.....71	WASHER,FLAT,3/8,SAE,HRD,ZAG.....65
SLIDING MIDRAIL KIT,PTD.....67	TERMINAL,FEMALE COUPLER,18-22G....35	WASHER,FLAT,3/8,USS,ZAG.....47
SNAP RING,EXTERNAL,1.25,ZAG.....65	TERMINAL,FEMALE COUPLER,BLUE.....95	WASHER,FLAT,5/16,USS,ZAG.....45, 57, 97, 101
SNAP RING,EXTERNAL,3/4,ZAG.....61	TERMINAL,MALE COUPLER,18-22GA.....35	WASHER,FLAT,USS,1/4,ZAG.....29, 31-32, 55, 63, 97
	TERMINAL,MOLEX 16 GAUGE***.....31-32	WASHER,LOCK,375.....87
	TIE ROD,WELDMENT,Z34.....29	

WASHER,LOCK,1/4,ZAG.....61, 65, 97
 WASHER,LOCK,3/8,ZAG.....45, 57, 61, 97
 WASHER,M4 NYLON.....111
 WASHER,M5 NYLON.....111
 WASHER,NYLON, JOYSTICK.....73
 WASHER,SHIM .0151 THK.....109
 WASHER,SHIM,1.270X2.130X.062,Z.....57, 65
 WASHER,SPINDLE.....29
 WASHER,THRUST,.313 X .50 X .10.....47
 WASHER,THRUST,1.5 X 3.5 X .187.....29
 WEAR PAD,4 X 2 X.45 W/NUTS.....61
 WEAR PAD,4 X 4 X .75 W/NUTS.....61
 WEAR PAD,4X2X.5 W/INSERT***.....37
 WEAR PAD,5 X 1.5 X .75 W/NUTS.....61
 WEAR PAD,EXT CYL***.....61
 WELD,COVER BRACE,LH HINGE,PNTD.....47
 WELD,COVER BRACE,RH HINGE,PNTD.....47
 WELDING CABLE #2 RED.....103
 WELDMENT, LEFT OPA, SMALL.....113
 WELDMENT, LWR COMPRESION ARM.....55
 WELDMENT, PIPE CRADLE.....107
 WELDMENT, RIGHT OPA, SMALL.....113
 WELDMENT,CVR SUPPORT RH***.....45
 WELDMENT,FLOATING BUMPER.....91
 WELDMENT,LOAD SUPPORT.....109
 WELDMENT,PIPE CRADLE MOUNT.....107
 WELDMENT,PLATFORM SUPPORT.....109
 WELDMENT,PLATFORM SUPPORT***.....65,
 67
 WELDMENT,ROTATOR SUPPORT.....109
 WELDMENT,SENSOR BRACKET.....91
 WELDMENT,SWING CHASSIS Z34.....41, 45
 WELDMENT,SWING CHASSIS Z34N.....41, 45
 WELDMENT,SWING GATE,ALUMINUM.....107
 WHEEL DRIVE, NON-BRAKE, 47.6:1.....32
 WHEEL DRIVE,4HB,48:1***.....31-32
 WHEEL STUD, 4HP, 5/8-18***.....31-32
 WHEEL STUD,5/8-18,OMNI***.....32
 WIPER,PRIMARY BOOM.....97
 WIRE ASSY #10 RED F1/F2.....39
 WIRE ASSY #10 RED F2/F1.....39
 WIRE CABLE,14/3 CON.TPE JKT*.....47, 51,
 67
 WIRE CABLE,16/2,WHT/BLK,SJEOW.....55, 95
 WIRE CABLE,16/4 CON.TPE JKT.....41, 55, 67
 WIRE CABLE,16/4 CON.TPE JKT*.....59
 WIRE LOOM,1.88 DIA.....55, 59, 65
 WIRE LOOM,3/8 POLY SLIT.....67
 WORKLIGHT,48 VOLT.....101, 105

Y

YOKE ASSY,LH,Z30NRJ.....29
 YOKE ASSY,RH,Z30NRJ.....29

Z

ZERK,GREASE,1/8 NPT,45 DEG***.....41
 ZERK,GREASE,1/8 NPT,45DEG.....41, 83
 ZERK,GREASE,1/8 NPT,67.5 DEG**.....41

— GENERAL SERVICE PARTS —.....11
 — HYD FILTERS —.....11
 — MANUALS —.....11

Fitting Cross References

Genie PN	Parker PN	Description	Genie PN	Parker PN	Description
12342	6-4 F5OX-S	CONNECTOR,STRAIGHT THREAD TO FLARE TUBE	42794	1 CR-S	ELBOW,90°,MALE PIPE
13757	4 R6X-S	RUN TEE,SWIVEL NUT,ORFS	42795	BV-0839	BALL VALVE
19685	12-10 C5OX-S	ELBOW,90°,STRAIGHT THREAD TO FLARE TUBE	42796	BV-0838	BALL VALVE
22664	12-10 C5OX	ELBOW,90°,STRAIGHT THREAD TO FLARE TUBE	42874	6-8 CLO-S	ELBOW,90°,MALE PIPE TO ORFS
27431	8-12 F5OX-S	CONNECTOR,STRAIGHT THREAD TO FLARE TUBE	42912	13943-6-4	HOSE END,90° FEMALE SWIVEL,JIC
28678	AS-B-33	SLEEVE,NYLON,1.81" ID	42920	BV-0840	BALL VALVE,90°
39871	6 WETX-WLN-S	UNION,90° BULKHEAD W/NUT,FLARE TUBE	42932	AS-B-17	SLEEVE,NYLON,1.22" ID
39872	4 R5OX-S	RUN TEE,STRAIGHT THREAD	42936	10243-2-4	HOSE END,FEMALE PIPE
39873	6 C5OX-S	ELBOW,90°,STRAIGHT THREAD TO FLARE TUBE	42953	1/2 DD-S	ELBOW,90°,FEMALE PIPE
39874	8-6 C5OX-S	ELBOW,90°,STRAIGHT THREAD TO FLARE TUBE	42956	6 WELO-WLNL-S	UNION,90° BULKHEAD W/NUT,ORFS
39875	4-6 C5OX-S	ELBOW,90°,STRAIGHT THREAD TO FLARE TUBE	45349	8 V5OX-S	ELBOW,45°,STRAIGHT THREAD TO FLARE TUBE
39876	6-8 C5OX-S	ELBOW,90°,STRAIGHT THREAD TO FLARE TUBE	45351	4 V5OX-S	ELBOW,45°,STRAIGHT THREAD TO FLARE TUBE
39877	4 F5OX-S	CONNECTOR,STRAIGHT THREAD TO FLARE TUBE	47223	10343-6-6	HOSE END,MALE,JIC
39878	6 F5OX-S	CONNECTOR,STRAIGHT THREAD TO FLARE TUBE	47419	PS690503-6-6	SWIVEL,90°,STRAIGHT THREAD TO 37° FLARE
39879	4-8 F5OX-S	CONNECTOR,STRAIGHT THREAD TO FLARE TUBE	48750	421-4	HOSE,1/4 INCH ID
39880	6-10 F5OX-S	CONNECTOR,STRAIGHT THREAD TO FLARE TUBE	48751	481TC-4	HOSE,1/4 INCH ID
39881	4-6 F5OX-S	CONNECTOR,STRAIGHT THREAD TO FLARE TUBE	48752	482TC-4	HOSE,1/4 INCH ID
39882	4-HP5ON-S	PLUG,STRAIGHT THREAD	48753	451TC-6	HOSE,3/8 INCH ID
39883	8-8 FTX-S	CONNECTOR,MALE PIPE TO FLARE TUBE	48754	482TC-6	HOSE,3/8 INCH ID
39885	269HB 12-12	ELBOW,90°,BEADED HOSE BARB TO MALE PIPE	48755	381-6	HOSE,3/8 INCH ID
39886	431-6	HOSE,3/8 INCH ID	48756	451TC-8	HOSE,1/2 INCH ID
39887	540N-2	HOSE,1/8 INCH ID	48757	482TC-8	HOSE,1/2 INCH ID
39888	801-8	HOSE,1/2 INCH ID	48758	381-8	HOSE,1/2 INCH ID
39889	801-12	HOSE,3/4 INCH ID	48759	381-10	HOSE,5/8 INCH ID
39890	10643-6-6	HOSE END,FEMALE SWIVEL,JIC	48760	451TC-10	HOSE,5/8 INCH ID
39891	13943-6-6	HOSE END,90° FEMALE SWIVEL,JIC	48761	482TC-12	HOSE,3/4 INCH ID
39892	13743-6-6	HOSE END,45° FEMALE SWIVEL,JIC	48762	451TC-12	HOSE,3/4 INCH ID
39894	30682-8-8	HOSE END,FEMALE SWIVEL,JIC	48763	772-12	HOSE,3/4 INCH ID
39895	30682-10-12	HOSE END,FEMALE SWIVEL,JIC	48764	881-16	HOSE,1 INCH ID
42286	8-8 CTX-S	ELBOW,90°,MALE PIPE TO FLARE TUBE	48765	772-16	HOSE,1 INCH ID
42756	8-12 CLO-S	ELBOW,90,MALE PIPE TO ORFS	48766	AS-B-15	SLEEVE,NYLON,1.06" ID
42757	8-12 FLO-S	CONNECTOR,MALE PIPE TO ORFS	48767	AS-B-22	SLEEVE,NYLON,1.42" ID
42758	4 JLO-S	UNION TEE,ORFS	48770	881-8	HOSE,1/2 INCH ID
42759	4-4 FLO-S	CONNECTOR,MALE PIPE TO ORFS			
42760	6-8 FLO-S	CONNECTOR,MALE PIPE TO ORFS			
42761	1J143-6-4	HOSE END,90° FEMALE SWIVEL,SEAL LOK			
42762	1J743-6-4	HOSE END,45° FEMALE SWIVEL,SEAL LOK			
42768	1JO43-4-4	HOSE END,MALE,SEAL LOK			
42776	601-8	HOSE,1/2 INCH ID			
42777	1J743-16-16	HOSE END,45° FEMALE SWIVEL,SEAL LOK			
42786	16 CLO-S	ELBOW,90°,MALE PIPE TO ORFS			
42787	16 R6LO-S	RUN TEE,SWIVEL NUT,ORFS			
42788	16-8 TRLO-BL-S	REDUCER,TUBE END TO SWIVEL,ORFS			
42789	6-6 CLO-S	ELBOW,90°,MALE PIPE TO ORFS			
42790	8-10 V5OLO-S	ELBOW,45°,STRAIGHT THREAD TO ORFS			
42791	3/4 CD-S	ELBOW,90°,MALE TO FEMALE PIPE			
42792	3/4 X 1/2 PTR-S	REDUCER,MALE TO FEMALE PIPE			
42793	1/2 CR-S	ELBOW,90°,MALE PIPE			

Fitting Cross References (Continued)

Genie PN	Parker PN	Description	Genie PN	Parker PN	Description
48771	881-10	HOSE,5/8 INCH ID	48847	13943-12-12	HOSE END,90° FEMALE SWIVEL,JIC
48772	381-4	HOSE,1/4 INCH ID	48848	10543-12-12	HOSE END,MALE,STRAIGHT THREAD
48773	AS-B-13	SLEEVE,NYLON,.86" ID	48849	1JC71-12-12	HOSE END,FEMALE SWIVEL,SEAL LOK
48800	1JC43-4-4	HOSE END,FEMALE SWIVEL,SEAL LOK	48850	1JS71-12-12	HOSE END,FEMALE SWIVEL,SEAL LOK
48801	1J743-4-4	HOSE END,45° FEMALE SWIVEL,SEAL LOK	48851	1J171-12-12	HOSE END,90° FEMALE SWIVEL,SEAL LOK
48802	1J943-4-4	HOSE END,90° FEMALE SWIVEL,SEAL LOK	48852	1J771-12-12	HOSE END,45° FEMALE SWIVEL,SEAL LOK
48804	1JM43-4-4	HOSE END,MALE,SEAL LOK, NO O-RING	48853	1J971-12-12	HOSE END,90° FEMALE SWIVEL,SEAL LOK
48805	10643-4-4	HOSE END,FEMALE SWIVEL,JIC	48854	1JC43-16-16	HOSE END,FEMALE SWIVEL,SEAL LOK
48806	13943-4-4	HOSE END,90° FEMALE SWIVEL,JIC	48855	1J943-16-16	HOSE END,90° FEMALE SWIVEL,SEAL LOK
48807	1JS43-4-4	HOSE END,FEMALE SWIVEL,SEAL LOK	48856	1J171-16-16	HOSE END,90° FEMALE SWIVEL,SEAL LOK
48808	3JC82-8-8	HOSE END,FEMALE SWIVEL,SEAL LOK	48857	1J971-16-16	HOSE END,90° FEMALE SWIVEL,SEAL LOK
48809	3JC82-12-12	HOSE END,FEMALE SWIVEL,SEAL LOK	48859	1JS43-8-4	HOSE END,FEMALE SWIVEL,SEAL LOK
48810	1JC43-6-4	HOSE END,FEMALE SWIVEL,SEAL LOK	48867	PD36BTL	DIAGNOSTIC NIPPLE,SEAL-LOK SWIVEL
48811	1J943-6-4	HOSE END,90° FEMALE SWIVEL,SEAL LOK	48873	6 PNLO-S	PLUG,TUBE END,ORFS
48812	1JC43-6-6	HOSE END,FEMALE SWIVEL,SEAL LOK	48874	6 PNTX-S	PLUG,FLARE TUBE
48813	1J143-6-6	HOSE END,90° FEMALE SWIVEL,SEAL LOK	48875	6 R6LO-S	RUN TEE,SWIVEL NUT,ORFS
48814	1J543-6-6	HOSE END,90° FEMALE SWIVEL,SEAL LOK	48877	4 F5OLO-SW/.025	CONNECTOR,STRAIGHT THREAD TO ORFS, W/.025 ORI
48815	1J743-6-6	HOSE END,45° FEMALE SWIVEL,SEAL LOK	48878	16-12 C5OLO-S	ELBOW,90°,STRAIGHT THREAD TO ORFS
48816	1J943-6-6	HOSE END,90° FEMALE SWIVEL,SEAL LOK	48879	8 C6LO-S	ELBOW,90°,SWIVEL NUT ORFS
48817	1JS43-6-8	HOSE END,FEMALE SWIVEL,SEAL LOK	48880	PD6-285	CAP,DIAGNOSTIC NIPPLE
48818	1J943-8-4	HOSE END,90° FEMALE SWIVEL,SEAL LOK	48881	6 HLO-S	UNION,ORFS
48819	1JC43-8-6	HOSE END,FEMALE SWIVEL,SEAL LOK	48883	8 P5ON-S	PLUG,STRAIGHT THREAD
48820	1J743-8-6	HOSE END,45° FEMALE SWIVEL,SEAL LOK	48884	8M18F87OMLO-S	CONNECTOR,METRIC,STRAIGHT THREAD TO ORFS
48821	1J943-8-6	HOSE END,90° FEMALE SWIVEL,SEAL LOK	48885	4 WGTX-WLN-S	CONNECTOR,BULKHEAD,FEMALE PIPE TO FLARE TUBE
48822	1JC43-8-8	HOSE END,FEMALE SWIVEL,SEAL LOK	48886	4 F5OLO-SW/2MM	CONNECTOR,MACHINED STRAIGHT THREAD TO ORFS
48823	1JS43-8-8	HOSE END,FEMALE SWIVEL,SEAL LOK	48887	4 CTX-S	ELBOW,90°,MALE PIPE TO FLARE TUBE
48824	1J143-8-8	HOSE END,90° FEMALE SWIVEL,SEAL LOK	48888	10-12 V5OLO-S	ELBOW,45°,STRAIGHT THREAD TO ORFS
48825	1J543-8-8	HOSE END,90° FEMALE SWIVEL,SEAL LOK	48890	4 S5OLO-S	BRANCH TEE,STRAIGHT THREAD TO ORFS
48826	1J743-8-8	HOSE END,45° FEMALE SWIVEL,SEAL LOK	48891	4 S6LO-S	BRANCH TEE,SWIVEL NUT TO ORFS
48827	1J943-8-8	HOSE END,90° FEMALE SWIVEL,SEAL LOK			
48828	1JC43-10-8	HOSE END,FEMALE SWIVEL,SEAL LOK			
48829	1JS43-10-8	HOSE END,FEMALE SWIVEL,SEAL LOK			
48830	1J743-10-8	HOSE END,45° FEMALE SWIVEL,SEAL LOK			
48831	1J943-10-8	HOSE END,90° FEMALE SWIVEL,SEAL LOK			
48833	1JC43-10-10	HOSE END,FEMALE SWIVEL,SEAL LOK			
48834	1J943-10-10	HOSE END,90° FEMALE SWIVEL,SEAL LOK			
48835	1JS43-10-12	HOSE END,FEMALE SWIVEL,SEAL LOK			
48836	1JC43-12-8	HOSE END,FEMALE SWIVEL,SEAL LOK			
48837	1JS43-12-8	HOSE END,FEMALE SWIVEL,SEAL LOK			
48838	1J743-12-8	HOSE END,45° FEMALE SWIVEL,SEAL LOK			
48839	1J943-12-8	HOSE END,90° FEMALE SWIVEL,SEAL LOK			
48840	1J943-12-10	HOSE END,90° FEMALE SWIVEL,SEAL LOK			
48841	1JC43-12-12	HOSE END,FEMALE SWIVEL,SEAL LOK			
48842	1JO43-12-12	HOSE END,MALE,SEAL LOK			
48843	1J143-12-12	HOSE END,90° FEMALE SWIVEL,SEAL LOK			
48844	1J543-12-12	HOSE END,90° FEMALE SWIVEL,SEAL LOK			
48845	1J743-12-12	HOSE END,45° FEMALE SWIVEL,SEAL LOK			
48846	1J943-12-12	HOSE END,90° FEMALE SWIVEL,SEAL LOK			

Fitting Cross References (Continued)

Genie PN	Parker PN	Description	Genie PN	Parker PN	Description
48892	6 C6LO-S	ELBOW,90°,SWIVEL NUT ORFS	48938	8 R6LO-S	RUN TEE,SWIVEL NUT,ORFS
48893	6 F5OHAO-S	UNION,STRAIGHT THREAD	48939	8 S6LO-S	BRANCH TEE,SWIVEL NUT TO ORFS
48894	8 WLO-WLNL-S	UNION,BULKHEAD,ORFS	48940	8 WJLO-WLNL-S	RUN TEE, BULKHEAD,ORFS
48895	DT-370-MSMO-5	VALVE,CHECK	48941	8-4 TRLO-S	REDUCER,TUBE END TO SWIVEL,ORFS
48896	6 JLO-S	UNION,TEE,ORFS	48942	8-6 C5OLO-S	ELBOW,90°,STRAIGHT THREAD TO ORFS
48897	DT-750-MSMS-5	VALVE,CHECK	48943	8-6 F5OLO-S	CONNECTOR,STRAIGHT THREAD TO ORFS
48898	DT-750-MOMS-5	VALVE,CHECK	48944	8-8 FLO-S	CONNECTOR,MALE PIPE TO ORFS
48899	DT-620-MOMS-5	VALVE,CHECK	48945	8 FTX-S	CONNECTOR,MALE PIPE TO FLARE TUBE
48900	4-6 F5OLO-SW/.035	CONNECTOR,STRAIGHT THREAD TO ORFS, W/.035 ORI	48946	8-10 F5OLO-S	CONNECTOR,STRAIGHT THREAD TO ORFS
48902	16-1 AOE4G-S	ELBOW,90° LONG,FEMALE PIPE TO STRAIGHT THREAD	48947	8-12 C5OLO-S	ELBOW,90°,STRAIGHT THREAD TO ORFS
48903	1 FF-S	NIPPLE,PIPE	48948	8-12 F5OLO-S	CONNECTOR,STRAIGHT THREAD TO ORFS
48904	4 C5OLO-S	ELBOW,90°,STRAIGHT THREAD TO ORFS	48949	8-16 F5OLO-S	CONNECTOR,STRAIGHT THREAD TO ORFS
48905	4 F5OLO-S	CONNECTOR,STRAIGHT THREAD TO ORFS	48950	10 C5OLO-S	ELBOW,90°,STRAIGHT THREAD TO ORFS
48906	4 R5OLO-S	RUN TEE,STRAIGHT THREAD	48951	10 CC5OLO-S	ELBOW,90° LONG,STRAIGHT THREAD TO ORFS
48907	4 V5OLO-S	ELBOW,45°,STRAIGHT THREAD TO ORFS	48952	10 F5OLO-S	CONNECTOR,STRAIGHT THREAD TO ORFS
48908	4 R6LO-S	RUN TEE,SWIVEL NUT,ORFS	48953	10 R5OLO-S	RUN TEE,STRAIGHT THREAD
48909	4 WJLO-WLNL-S	RUN TEE, BULKHEAD,ORFS	48954	10 S5OLO-S	BRANCH TEE,STRAIGHT THREAD TO ORFS
48910	4 GTX-S W/.030	CONNECTOR,FEMALE PIPE TO FLARE TUBE	48955	10 R6LO-S	RUN TEE,SWIVEL NUT,ORFS
48911	4-6 C5OLO-S	ELBOW,90°,STRAIGHT THREAD TO ORFS	48956	10-4 TRLO-BL-S	REDUCER,TUBE END TO SWIVEL,ORFS
48912	4-6 F5OLO-S	CONNECTOR,STRAIGHT THREAD TO ORFS	48957	10-6 TRLO-BL-S	REDUCER,TUBE END TO SWIVEL,ORFS
48913	4-6 F5OLO-SW/.030	CONNECTOR,STRAIGHT THREAD TO ORFS, W/.030 ORI	48958	10-12 F5OLO-S	CONNECTOR,STRAIGHT THREAD TO ORFS
48914	4-8 F5OLO-S	CONNECTOR,STRAIGHT THREAD TO ORFS	48959	12 C5OLO-S	ELBOW,90°,STRAIGHT THREAD TO ORFS
48915	6 C5OLO-S	ELBOW,90°,STRAIGHT THREAD TO ORFS	48960	12 F5OLO-S	CONNECTOR,STRAIGHT THREAD TO ORFS
48916	6 F5OLO-S	CONNECTOR,STRAIGHT THREAD TO ORFS	48961	12 R5OLO-S	RUN TEE,STRAIGHT THREAD
48917	6 FF5OLO-S	CONNECTOR,LONG,STRAIGHT THREAD TO ORFS	48962	12 S5OLO-S	BRANCH TEE,STRAIGHT THREAD TO ORFS
48918	6 R5OLO-S	RUN TEE,STRAIGHT THREAD	48963	12 V5OLO-S	ELBOW,45°,STRAIGHT THREAD TO ORFS
48919	6 S5OLO-S	BRANCH TEE,STRAIGHT THREAD TO ORFS	48964	12 R6LO-S	RUN TEE,SWIVEL NUT,ORFS
48920	6 V5OLO-S	ELBOW,45°,STRAIGHT THREAD TO ORFS	48965	12 CLO-S	ELBOW,90°,MALE PIPE TO ORFS
48921	6 FLO-S	CONNECTOR,MALE PIPE TO ORFS	48966	12 FLO-S	CONNECTOR,MALE PIPE TO ORFS
48922	6-6 FLO-S	CONNECTOR,MALE PIPE TO ORFS	48967	12 JLO-S	UNION TEE,ORFS
48923	6 P5ON-S	PLUG,STRAIGHT THREAD	48968	12 WLO-WLNL-S	UNION,BULKHEAD,ORFS
48925	6 WELO-S	UNION,90° BULKHEAD,ORFS	48969	12 WJLO-WLNL-S	RUN TEE, BULKHEAD,ORFS
48926	6-4 C5OLO-S	ELBOW,90°,STRAIGHT THREAD TO ORFS	48970	12 WELO-WLNL-S	UNION,90° BULKHEAD W/NUT,ORFS
48927	6-4 F5OLO-S	CONNECTOR,STRAIGHT THREAD TO ORFS			
48928	6-4 V5OLO-S	ELBOW,45°,STRAIGHT THREAD TO ORFS			
48929	6-8 C5OLO-S	ELBOW,90°,STRAIGHT THREAD TO ORFS			
48930	6-8 F5OLO-S	CONNECTOR,STRAIGHT THREAD TO ORFS			
48931	6-10 F5OLO-S	CONNECTOR,STRAIGHT THREAD TO ORFS			
48932	8 C5OLO-S	ELBOW,90°,STRAIGHT THREAD TO ORFS			
48933	8 F5OLO-S	CONNECTOR,STRAIGHT THREAD TO ORFS			
48934	8 FF5OLO-S	CONNECTOR,LONG,STRAIGHT THREAD TO ORFS			
48935	8 R5OLO-S	RUN TEE,STRAIGHT THREAD			
48936	8 S5OLO-S	BRANCH TEE,STRAIGHT THREAD TO ORFS			
48937	8 V5OLO-S	ELBOW,45°,STRAIGHT THREAD TO ORFS			

Fitting Cross References (Continued)

Genie PN	Parker PN	Description	Genie PN	Parker PN	Description
48971	12 G5G5JG5-S	TEE,FEMALE STRAIGHT THREAD	49612	PKT02586	O-RING KIT (ORFS FITTINGS)
48972	12 XHL6-S	ADAPTER, 37° MALE TO SWIVEL ORFS	49613	PKT06276	PLUG AND CAP KIT-SERVICE,ORFS
48973	12-1/2 F5OG-S	ADAPTER,FEMALE PIPE TO STRAIGHT THREAD	49728	10143-12-12	HOSE END, MALE PIPE
48974	12-10 C5OLO-S	ELBOW,90°,STRAIGHT THREAD TO ORFS	49729	16-1 F5OG-S	ADAPTER,FEMALE PIPE TO STRAIGHT THREAD
48975	12-10 F5OLO-S	CONNECTOR,STRAIGHT THREAD TO ORFS	49814	12-8 FLO-S	CONNECTOR,MALE PIPE TO ORFS
48976	12-16 C5OLO-S	ELBOW,90°,STRAIGHT THREAD TO ORFS	49829	DT-500-MOMF-5	VALVE,CHECK
48977	12-16 F5OLO-S	CONNECTOR,STRAIGHT THREAD TO ORFS	49831	881-12	HOSE,3/4 INCH ID
48978	12-16 V5OLO-S	ELBOW,45°,STRAIGHT THREAD TO ORFS	49834	16 JLO-S	UNION TEE,ORFS
48980	12-16 FLO-S	CONNECTOR,MALE PIPE TO ORFS	49838	12-8 TRLO-BL-S	REDUCER,TUBE END TO SWIVEL,ORFS
48983	16 C5OLO-S	ELBOW,90°,STRAIGHT THREAD TO ORFS	49840	8 JLO-S	UNION TEE,ORFS
48984	16 F5OLO-S	CONNECTOR,STRAIGHT THREAD TO ORFS	49844	10-8 TRLO-BL-S	REDUCER,TUBE END TO SWIVEL,ORFS
48985	16 V5OLO-S	ELBOW,45°,STRAIGHT THREAD TO ORFS	49854	8 P5ON-S	PLUG,STRAIGHT THREAD
48986	16 FLO-S	CONNECTOR,MALE PIPE TO ORFS	49855	1JC43-16-12	HOSE END,FEMALE SWIVEL,SEAL LOK
48988	16 CD45-S	ELBOW,45°,MALE TO FEMALE PIPE	49859	4 P5ON-S	PLUG,STRAIGHT THREAD
48989	12 CD45-S	ELBOW,45°,MALE TO FEMALE PIPE	49861	4 FF5OLO-S	CONNECTOR,LONG,STRAIGHT THREAD TO ORFS
48990	8 CD45-S	ELBOW,45°,MALE TO FEMALE PIPE	49867	12-3/4 F5OG-S	ADAPTER,FEMALE PIPE TO STRAIGHT THREAD
48991	16-12 FLO-S	CONNECTOR,MALE PIPE TO ORFS	51152	6 R6X-S	RUN TEE,SWIVEL NUT,ORFS
48992	16-12 V5OLO-S	ELBOW,45°,STRAIGHT THREAD TO ORFS	51153	6-4 TRTX-S	REDUCER,TUBE END TO SWIVEL,ORFS
48993	XV501-12	BALL VALVE	51154	4-4 GTX	CONNECTOR,FEMALE PIPE TO FLARE TUBE
48994	XV501-16	BALL VALVE	51264	881-12	HOSE,3/4 INCH ID
48995	XV510P-12	BALL VALVE	51265	8 JLO-S	UNION TEE,ORFS
48996	XV510P-16	BALL VALVE	51508	6 BTX-S	NUT,FLARE TUBE
48997	PD341	DIAGNOSTIC NIPPLE, STRAIGHT THREAD	51580	12-8 TRLO-BL-S	TUBE END REDUCER,ORFS
48998	PD 361	DIAGNOSTIC NIPPLE, STRAIGHT THREAD	51628	6 R6X-S	RUN TEE,SWIVEL NUT,ORFS
48999	DT-500-MOMS-5	VALVE,CHECK	51735	3/8 HHP	PLUG,PIPE THREAD
49201	10 V5OLO-S	ELBOW,45°,STRAIGHT THREAD TO ORFS	51803	1J943-6-8	HOSE END,90° FEMALE SWIVEL,SEAL LOK
49202	1JC43-12-10	HOSE END,FEMALE SWIVEL,SEAL LOK	53023	125HBL-5-4	FITTING,HOSE BARB TO MALE PIPE
49203	10-8 V5OLO-S	ELBOW,45°,STRAIGHT THREAD TO ORFS	53497	PKT02585	O-RING KIT
49205	6 F5OHAO-S	UNION,STRAIGHT THREAD	53499	1JC71-16-16	HOSE END,FEMALE SWIVEL,SEAL LOK
49207	PD34BTL	DIAGNOSTIC NIPPLE,SEAL-LOK SWIVEL	53500	3-904	O-RING,STRAIGHT THREAD,-4
49209	8M18F870MX-S	CONNECTOR,METRIC,STRAIGHT THREAD TO FLARE TUBE	53501	3-906	O-RING,STRAIGHT THREAD,-6
49212	8 WGTX-WLN-S	CONNECTOR,BULKHEAD,FEMALE PIPE TO FLARE TUBE	53502	3-908	O-RING,STRAIGHT THREAD,-8
49213	30682-8-8	HOSE END,FEMALE SWIVEL,JIC	53503	3-910	O-RING,STRAIGHT THREAD,-10
49216	831-8	HOSE,1/2 INCH ID			
49217	33982-8-8	HOSE END,90° FEMALE SWIVEL,JIC			
49219	PS-B-35	SLEEVE,NYLON,2.19" ID			
49418	4-6 V5OLO-S	ELBOW,45°,STRAIGHT THREAD TO ORFS			
49511	DT370-MOMS-5	VALVE,CHECK			
49512	1 DD-S	ELBOW,90°,FEMALE PIPE			
49513	1 FF-S	NIPPLE,PIPE			
49514	10 HP5ON-S	PLUG,STRAIGHT THREAD			
49515	12-16 CLO-S	ELBOW,90°,MALE PIPE TO ORFS			
49517	6 HP5ON-S	PLUG,STRAIGHT THREAD			
49519	16-12 F5OLO-S	CONNECTOR,STRAIGHT THREAD TO ORFS			
49520	4 VTX-S	ELBOW,45°,MALE PIPE TO FLARE TUBE			
49530	16 C6LO-S	ELBOW,90°,SWIVEL NUT ORFS			

Fitting Cross References (Continued)

Genie PN	Parker PN	Description	Genie PN	Parker PN	Description
53535	3-912	O-RING, STRAIGHT THREAD, -12	61083	24 F5OLO-S	CONNECTOR, STRAIGHT THREAD TO ORFS
53536	4-PNLO-S	PLUG, TUBE END, ORFS	61086	20 R5OLO-S	RUN TEE, STRAIGHT THREAD
53537	6 PNLO-S	PLUG, TUBE END, ORFS	61090	24-20 F5OLO-S	CONNECTOR, STRAIGHT THREAD TO ORFS
53538	8 PNLO-S	PLUG, TUBE END, ORFS	61091	1J943 24-24	HOSE END, 90° FEMALE SWIVEL, SEAL LOK
53539	10 PNLO-S	PLUG, TUBE END, ORFS	61093	1J978-12-12	HOSE END, 90° FEMALE SWIVEL, JIC
53540	12 PNLO-S	PLUG, TUBE END, ORFS	61095	1JS43-20-16	HOSE END, FEMALE SWIVEL, SEAL LOK
53946	129HB-5-4	FITTING, 90° HOSE BARB TO MALE PIPE	61100	811-24	HOSE, 1 1/2 INCH ID
53951	8-1/4F50G-S	ADAPTER, FEMALE PIPE TO STRAIGHT THREAD	61130	1JS43-24-24	HOSE END, FEMALE SWIVEL, SEAL LOK
53980	6 S6LO-S	BRANCH TEE, SWIVEL NUT TO ORFS	61131	1JS78 12-12	HOSE END, FEMALE SWIVEL, SEAL LOK
54132	4 C6LO-S	ELBOW, 90°, SWIVEL NUT ORFS	61132	1J778-12-12	HOSE END, 45° FEMALE SWIVEL, JIC
54135	11343-16-16	HOSE END, MALE SWIVEL, PIPE	61152	139HB-6-4	ELBOW, 45°, BARB TO MALE PIPE
54283	8-10 C5OLO-S	ELBOW, 90°, STRAIGHT THREAD TO ORFS	61251	BV-0750	BALL VALVE
54428	8M18C870MLO-S	ELBOW, 90° METRIC, STRAIGHT THREAD TO ORFS	61259	4 CC5OLO-S	ELBOW, 90° LONG, STRAIGHT THREAD TO ORFS
54803	FS-F-16-10	SLEEVE, FIRE, .96" ID	61260	20-12 TRLO-BL	REDUCER, TUBE END TO SWIVEL, ORFS
54954	10143-2-4	HOSE END, MALE PIPE	61262	12 C6LO-S	ELBOW, 90°, SWIVEL NUT ORFS
55190	3/8 HP-S	PLUG, PIPE THREAD	61263	20 F5OHAO-S	UNION, STRAIGHT THREAD
55448	8 HLO-S	UNION, ORFS	61264	6-10 C5OLO-S	ELBOW, 90°, STRAIGHT THREAD TO ORFS
55839	6 F65OX-S	CONNECTOR, STRAIGHT THREAD TO 37° SWIVEL	61265	6 WNLO-WLNL-S	UNION, BULKHEAD 45°, ORFS
55968	10 C5OX-S	ELBOW, 90°, STRAIGHT THREAD TO FLARE TUBE	61268	4 WNLO-WLNL-S	UNION, BULKHEAD 45°, ORFS
56003	6 CC5OLO-S	ELBOW, 90° LONG, STRAIGHT THREAD TO ORFS	61269	4 WLO-WLNL-S	UNION, BULKHEAD, ORFS
56166	BV-0837	BALL VALVE, 90°	61272	12 AOEL6	ELBOW, 90°, STRAIGHT THREAD TO ORFS SWIVEL
56188	10143-8-6	HOSE END, MALE PIPE	61316	482TC-16	HOSE, 1 INCH ID
56233	2-011	O-RING, ORFS, -4	61321	6 JLO-S	UNION TEE, ORFS
56234	2-012	O-RING, ORFS, -6	61327	782-12	HOSE, 3/4 INCH ID
56235	2-014	O-RING, ORFS, -8	61328	881-24	HOSE, 1 1/2 INCH ID
56236	2-016	O-RING, ORFS, -10	61336	11943-20-24	HOSE END, 90° FLANGE HEAD
56237	2-018	O-RING, ORFS, -12	61345	12 WJLO-WLNL-S	RUN TEE, BULKHEAD, ORFS
56238	2-021	O-RING, ORFS, -16	61346	8 WNLO-WLNL-S 4	UNION, BULKHEAD 45°, ORFS
56352	6 WLNL-S	LOCKNUT, BULKHEAD	61569	33782-8-8	HOSE END, 45° FEMALE SWIVEL, JIC
56353	3J782-12-12	HOSE END, 45° FEMALE SWIVEL, SEAL LOK	61610	12 FF5OLO-S	CONNECTOR, LONG, STRAIGHT THREAD TO ORFS
56354	3J982-12-12	HOSE END, 90° FEMALE SWIVEL, SEAL LOK	61742	1/8 X 1.5 FFF	NIPPLE, PIPE
56604	10-8 F5OLO-S	CONNECTOR, STRAIGHT THREAD TO ORFS	63426	8 PNTX-S	PLUG, FLARE TUBE
56639	3JC82-10-10	HOSE END, FEMALE SWIVEL, SEAL LOK			
56640	3J982-10-10	HOSE END, 90° FEMALE SWIVEL, SEAL LOK			
56655	3JC82-8-10	HOSE END, FEMALE SWIVEL, SEAL LOK			
56676	10-8 C5OLO-S	ELBOW, 90°, STRAIGHT THREAD TO ORFS			
56776	471TC-6	HOSE, 3/8 INCH ID			
56777	471TC-8	HOSE, 1/2 INCH ID			
56789	811-16	HOSE, 1 INCH ID			
57884	3/8 FF	NIPPLE, PIPE			
59335	6 FNL-S	CAP, TUBE END			
59342	4 FNL-S	CAP, TUBE END			
59371	8 HP5ON-S	PLUG, STRAIGHT THREAD			
60653	BV-0751	BALL VALVE			
60806	125HB-3-4	FITTING, HOSE BARB TO MALE PIPE			
61064	5-1/4 F50G-S	ADAPTER, FEMALE PIPE TO STRAIGHT THREAD			
61079	4 WELO-WLNL-S	UNION, 90° BULKHEAD W/NUT, ORFS			
61080	6 WLO-WLNL-S	UNION, BULKHEAD, ORFS			

Fitting Cross References (Continued)

Genie PN	Parker PN	Description	Genie PN	Parker PN	Description
64271	4 WLO-WLNL-S	UNION,BULKHEAD,ORFS	75631	801-6	HOSE,3/8 INCH ID
64272	6 WLO-WLNL-S	UNION,BULKHEAD,ORFS	75654	20 F5OLO-S	CONNECTOR,STRAIGHT THREAD TO ORFS
65776	8 F65OL-S	CONNECTOR,STRAIGHT THREAD TO ORFS SWIVEL	75655	1J943-20-20	HOSE END,90° FEMALE SWIVEL,SEAL LOK
65880	6001012	O-RING KIT	75656	881-20	HOSE,1-1/4 INCH ID
66154	6 WTX-WLNS	UNION,BULKHEAD,FLARE TUBE	75971	8 F5OHAO-S	UNION,STRAIGHT THREAD
66155	6 WETX-S	UNION,BULKHEAD 90°,FLARE TUBE	77307	1JB43-8-8	HOSE END,BULKHEAD,SEAL LOK
66156	6 WLN-S	BULKHEAD LOCKNUT	77309	8 WLNL-S	BULKHEAD LOCKNUT
66389	6-8 F5OX-S	CONNECTOR,STRAIGHT THREAD TO FLARE TUBE	77379	8M18C87OMX-S	ELBOW,90° METRIC,STRAIGHT THREAD TO FLARE TUBE
66392	6 R5OX-S	RUN TEE,STRAIGHT THREAD	77703	3J982-8-8	HOSE END,90° FEMALE SWIVEL,SEAL LOK
66396	811-12	HOSE,3/4 INCH ID	77711	801-10	HOSE,5/8 INCH ID
66829	H3174PP	CLAMP,TUBE	77758	12 WNLO-WLNL-S	UNION,BULKHEAD 45°,ORFS
67217	4 KLO-S	UNION,CROSS,ORFS	78091	6 C6X-S	ELBOW,90°,SWIVEL NUT TO FLARE TUBE
67339	10-6 F5OX-S	CONNECTOR,STRAIGHT THREAD TO FLARE TUBE	78684	30582-8-8B	HOSE END,PUSH LOK,MALE
67357	13943-8-6	HOSE END,90° FEMALE SWIVEL,JIC	78852	549-2	HOSE,1/8 INCH ID
67358	10 HP5ON-S	PLUG,STRAIGHT THREAD	78855	10657-4-2	HOSE END,FEMALE SWIVEL,JIC
67371	12 S6LO-S	BRANCH TEE,SWIVEL NUT TO ORFS	79138	PS-B-37	SLEEVE,NYLON,2.38" ID
67498	4 FNL-S	CAP, TUBE END	79476	1JS43-6-8	HOSE END,FEMALE SWIVEL,SEAL LOK
67906	DC-370-F0F0-5	VALVE,CHECK	79847	12-3/4 A0EG-S	ELBOW,90°,STRAIGHT THREAD TO FEMALE PIPE
69316	8 FLO-S	CONNECTOR,MALE PIPE TO ORFS	80044	8 CLO-S	ELBOW,90°,MALE PIPE TO ORFS
69333	H3174PP	CLAMP,HYDRAULIC HOSE	80502	8 F5OX-S	CONNECTOR,STRAIGHT THREAD TO FLARE TUBE
69503	4 F65OX-S	CONNECTOR,STRAIGHT THREAD TO 37° SWIVEL	80503	8 C5OX-S	ELBOW,90°,STRAIGHT THREAD TO FLARE TUBE
69775	8 FNL-S	CAP, TUBE END	81010	AS-B-27	SLEEVE,NYLON,1.63" ID
71038	1/4X1/4F3HG-S	ADAPTER,CONVERSION	83052	821-6	HOSE,3/8 INCH ID
71196	12-8 F5OLO-S	CONNECTOR,STRAIGHT THREAD TO ORFS	83053	821-8	HOSE,1/2 INCH ID
71383	1/4 CD45-S	ELBOW,45°,MALE TO FEMALE PIPE	83054	821-12	HOSE,3/4 INCH ID
72270	12FNL-S	CAP, TUBE END	83055	30682-6-6	HOSE END,FEMALE SWIVEL,JIC
73436	60C-4	SLEEVE,COMPRESSION	83056	30682-12-12	HOSE END,FEMALE SWIVEL,JIC
73437	61C-4	NUT,COMPRESSION	83057	33782-6-6	HOSE END,45° FEMALE SWIVEL,JIC
73438	33482-4-4B	HOSE END,PUSH LOK,MALE	83058	33982-6-6	HOSE END,90° FEMALE SWIVEL,JIC
73767	1CD-S	ELBOW,90°,MALE TO FEMALE PIPE	83060	33982-12-12	HOSE END,90° FEMALE SWIVEL,JIC
73768	20-16-F5OG5-S	ADAPTER,FEMALE PIPE TO STRAIGHT THREAD	83063	13743-4-4	HOSE END,45° FEMALE SWIVEL,JIC
73769	16-20 F5OLO-S	CONNECTOR,STRAIGHT THREAD TO ORFS			
74660	6-8 F42EDMLO-S	CONNECTOR,MALE BSPP TO ORFS			
74661	8-8 F42EDMLO-S	CONNECTOR,MALE BSPP TO ORFS			
75007	4 FLO-S	CONNECTOR,MALE PIPE TO ORFS			
75008	1/8 HP-S	PLUG,PIPE THREAD			
75014	1/2 HP-S	PLUG,PIPE THREAD			
75042	8 WELO-WLNL-S	UNION,90° BULKHEAD W/NUT,ORFS			
75043	3/4 FF-S	NIPPLE,PIPE			
75254	24 F5OHAO-S	UNION,STRAIGHT THREAD			
75255	12 F5OHAO-S	UNION,STRAIGHT THREAD			
75256	XV506P-24	BALL VALVE			
75574	4 WLNL-S	BULKHEAD LOCKNUT			
75612	8 WJLO-WLNL-S	RUN TEE, BULKHEAD,ORFS			
75613	12-8 F5OG5-S	ADAPTER,FEMALE PIPE TO STRAIGHT THREAD			
75614	8 CC5OLO-S	ELBOW,90° LONG,STRAIGHT THREAD TO ORFS			
75628	1JB43-4-4	HOSE END,BULKHEAD,SEAL LOK			

Fitting Cross References (Continued)

Genie PN	Parker PN	Description	Genie PN	Parker PN	Description
83064	13743-8-8	HOSE END,45° FEMALE SWIVEL,JIC	89449	6 WJLO-WLNL-S	RUN TEE, BULKHEAD,ORFS
83065	13743-12-12	HOSE END,45° FEMALE SWIVEL,JIC	89489	4 WJMLO-S	BRANCH TEE,BULKHEAD,ORFS
83066	13943-8-8	HOSE END,90° FEMALE SWIVEL,JIC	89551	1JB43-6-6	HOSE END,BULKHEAD,SEAL LOK
83067	14143-6-6	HOSE END,90° FEMALE SWIVEL,JIC	89552	1JB43-8-8	HOSE END,BULKHEAD,SEAL LOK
83068	14143-8-8	HOSE END,90° FEMALE SWIVEL,JIC	89593	20 C5OLO-S	ELBOW,90°,STRAIGHT THREAD TO ORFS
83069	14143-12-12	HOSE END,90° FEMALE SWIVEL,JIC	94161	8-8 CLO-S	ELBOW,90°,MALE PIPE TO ORFS
83070	772-8	HOSE,1/2 INCH ID	94358	351TC-12	HOSE,3/4 INCH ID
83071	10671-8-8	HOSE END,FEMALE SWIVEL,JIC	94418	20 FLO-S	CONNECTOR,MALE PIPE TO ORFS
83072	10671-12-12	HOSE END,FEMALE SWIVEL,JIC	96358	12 TX-S	SLEEVE,FLARE TUBE
83073	13771-8-8	HOSE END,45° FEMALE SWIVEL,JIC	96359	12 BTX-S	NUT,FLARE TUBE
83074	13771-12-12	HOSE END,45° FEMALE SWIVEL,JIC	96397	8 F5OX-S	CONNECTOR,STRAIGHT THREAD TO FLARE TUBE
83075	13971-8-8	HOSE END,90° FEMALE SWIVEL,JIC	96398	12-8 F5OX-S	CONNECTOR,STRAIGHT THREAD TO FLARE TUBE
83076	13971-12-12	HOSE END,90° FEMALE SWIVEL,JIC	96402	10343-6-6	HOSE END,MALE,JIC
83077	14171-8-8	HOSE END,90° FEMALE SWIVEL,JIC	96407	30382-6-6B	HOSE END,MALE,JIC
83078	14171-12-12	HOSE END,90° FEMALE SWIVEL,JIC			
83080	13943-16-16	HOSE END,90° FEMALE SWIVEL,JIC			
83103	10671-16-12	HOSE END,FEMALE SWIVEL,JIC			
83104	10671-10-12	HOSE END,FEMALE SWIVEL,JIC			
83112	1JC71-8-8	HOSE END,FEMALE SWIVEL,SEAL LOK			
83113	1JS71-16-12	HOSE END,FEMALE SWIVEL,SEAL LOK			
83114	1JS71-10-12	HOSE END,FEMALE SWIVEL,SEAL LOK			
83115	1J971-8-8	HOSE END,90° FEMALE SWIVEL,SEAL LOK			
83116	1J171-8-8	HOSE END,90° FEMALE SWIVEL,SEAL LOK			
83117	1J771-8-8	HOSE END,45° FEMALE SWIVEL,SEAL LOK			
83127	1J543-6-8	HOSE END,90° FEMALE SWIVEL,JIC			
83128	1JC43-6-8	HOSE END,FEMALE SWIVEL,SEAL LOK			
87033	12-6 TRLO-S	REDUCER,TUBE END TO SWIVEL,ORFS			
87034	3J782-8-8	HOSE END,45° FEMALE SWIVEL,SEAL LOK			
87172	12 HP5ON-S	PLUG,STRAIGHT THREAD			
87185	8 WNLO-WLNL-S	UNION,BULKHEAD 45°,ORFS			
87246	4 C6X-S	ELBOW,90°,SWIVEL NUT TO FLARE TUBE			
87679	6 LHP-S	FLANGE SEAL FITTING, MALE			
87681	6PLS N0702	BONDED SEAL			
88100	SR88100	ADAPTER,OIL DRAIN,GM 3.0L			
88311	1JS43-20-20	HOSE END,FEMALE SWIVEL,SEAL LOK			
88353	20 V5OLO-S	ELBOW,45°,STRAIGHT THREAD TO ORFS			
88474	10081-20	Crimp Shell, 1.25"			
88475	1988-20-24	HOSE END,90° FLANGE HEAD			
88476	JS88-24-24	HOSE END,FEMALE SWIVEL,SEAL LOK			
88477	1JC88-20-20	HOSE END,FEMALE SWIVEL,SEAL LOK			
88478	811-20	HOSE,11/4 INCH ID			
88936	20-16 F5OLO-S	CONNECTOR,STRAIGHT THREAD TO ORFS			
88937	20-16 FLO-S	CONNECTOR,MALE PIPE TO ORFS			
88938	1JC88-16-16	HOSE END,FEMALE SWIVEL,SEAL LOK			
88939	1J988-16-16	HOSE END,90° FEMALE SWIVEL,ORFS			
88940	811-16	HOSE,1 INCH ID			
88944	1J988-20-20	HOSE END,90° FEMALE SWIVEL,ORFS			
89403	16 VLO-S	ELBOW,45°,MALE PIPE TO ORFS			

California Proposition 65



WARNING

Operating, servicing and maintaining this equipment can expose you to chemicals including engine exhaust, carbon monoxide, phthalates, and lead, which are known to the State of California to cause cancer and birth defects or other reproductive harm. These chemicals can be emitted from or contained in other various parts and systems, fluids and some component wear by-products. To minimize exposure, avoid breathing exhaust, do not idle the engine except as necessary, service your equipment and vehicle in a well-ventilated area and wear gloves or wash your hands frequently when servicing your equipment or vehicle and after operation. For more information go to www.P65Warnings.ca.gov/passenger-vehicle.

Breathing diesel engine exhaust exposes you to chemicals known to the State of California to cause cancer and birth defects or other reproductive harm.

- Always start and operate the engine in a well-ventilated area.
- If in an enclosed area, vent the exhaust to the outside.
- Do not modify or tamper with the exhaust system.
- Do not idle the engine except as necessary.

For more information go to www.P65warnings.ca.gov/diesel.

Parts Manual

Z-34/22N

from Z3415D-101 to Z3416D-279, from Z34ND-280

Part No.
1285598GT

Rev A3

Genie
A TEREX BRAND